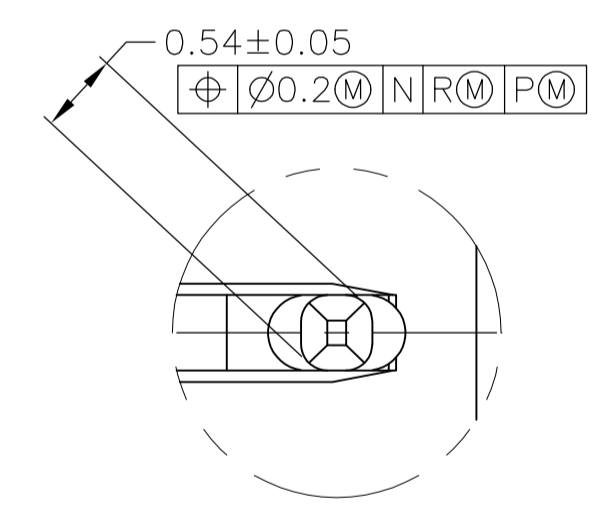


RECOMMENDED CIRCUIT PATTERN
 PER IPC-D300 TYPE II, CLASS C
 (COMPONENT SIDE)

- 1 HOUSING MATERIAL: LIQUID CRYSTAL POLYMER, NATURAL.
- 2 CONTACT MATERIAL: COPPER ALLOY.
- 3 CONTACT FINISH:
 UNDERPLATE (ENTIRE CONTACT):
 0.00127 MIN NICKEL PER SAE-AMS-QQ-N-290
 ON MATING SURFACES:
 FLASH GOLD PER ASTM B 488, OVER
 0.00076 MIN PALLADIUM-NICKEL OVER UNDERPLATE, OR
 0.00076 MIN GOLD PER ASTM B 488 OVER UNDERPLATE.
 ON LEADS:
 0.00127 MIN MATTE TIN PER ASTM B 545 OVER UNDERPLATE.
 LUBRICATION (MIN MATING SURFACES):
 SURFACE CONDITIONER AFTER PLATING.
- 4 PART NUMBER AND DATE CODE IN APPROXIMATE AREA AS SHOWN.



DETAIL Z
 SCALE 20:1

| | | | | | |
|--|-----|------------------|--------------|-----------|---|
| THIS DRAWING IS A CONTROLLED DOCUMENT. | | DIN | T. SHUEY | 1-7-98 | TE Connectivity |
| DIMENSIONS: mm | | CHK | W. MILLHIMES | 1-16-98 | |
| TOLERANCES UNLESS OTHERWISE SPECIFIED: | | APVD | W. MILLHIMES | 1-16-98 | NAME |
| 0 PLC | ± - | PRODUCT SPEC | | 108-1441 | ASSEMBLY, PIN, VERTICAL, 5 ROW, POWER MODULE, PRESS FIT LEAD, Z-PACK 2mm HM |
| 1 PLC | ± - | APPLICATION SPEC | | 114-1075 | SIZE |
| 2 PLC | ± - | WEIGHT | | A1 | CAGE CODE |
| 3 PLC | ± - | CUSTOMER DRAWING | | SCALE 4:1 | SHEET 1 OF 2 |
| 4 PLC | ± - | FINISH | | 3 | REV A2 |
| ANGLES | ± - | MATERIAL | | 1 2 | |

| | | | |
|----------------|-------------|-------|-------|
| AD | 4 | 5.00 | 4.25 |
| AC | 3 | 8.00 | 4.25 |
| AB | 2 | 7.25 | 4.25 |
| AA | 1 | 6.50 | 4.25 |
| CONTACT LETTER | ITEM NUMBER | DIM Y | DIM Z |

| | | | | |
|-----|----|----|-----|-------------|
| E | AA | AA | E | 5536642-1 |
| D | AA | AA | D | |
| C | AA | AA | C | |
| B | AA | AA | B | |
| A | AA | AA | A | |
| ROW | 1 | 2 | ROW | PART NUMBER |

CONTACT LOAD CHART

| | | | | |
|-----|----|----|-----|-------------|
| E | AA | AC | E | 5536642-6 |
| D | AA | AC | D | |
| C | AA | AC | C | |
| B | AA | AC | B | |
| A | AA | AC | A | |
| ROW | 1 | 2 | ROW | PART NUMBER |

CONTACT LOAD CHART

| | | | | |
|-----|----|----|-----|-------------|
| E | AB | AB | E | 1-5536642-6 |
| D | AB | AB | D | |
| C | AB | AB | C | |
| B | AC | AC | B | |
| A | AC | AC | A | |
| ROW | 1 | 2 | ROW | PART NUMBER |

CONTACT LOAD CHART

| | | | | |
|-----|----|----|-----|-------------|
| E | AA | AA | E | 5536642-4 |
| D | AA | AA | D | |
| C | AB | AB | C | |
| B | AC | AC | B | |
| A | AC | AC | A | |
| ROW | 1 | 2 | ROW | PART NUMBER |

CONTACT LOAD CHART

| | | | | |
|-----|----|----|-----|-------------|
| E | AC | AC | E | 5536642-7 |
| D | AC | AC | D | |
| C | AC | AC | C | |
| B | AC | AC | B | |
| A | AC | AC | A | |
| ROW | 1 | 2 | ROW | PART NUMBER |

CONTACT LOAD CHART

| | | | | |
|-----|----|----|-----|-------------|
| E | AB | AB | E | 2-5536642-4 |
| D | AA | AA | D | |
| C | AB | AB | C | |
| B | AA | AA | B | |
| A | AB | AB | A | |
| ROW | 1 | 2 | ROW | PART NUMBER |

CONTACT LOAD CHART

| | | | | |
|-----|----|----|-----|-------------|
| E | AA | AA | E | 5536642-5 |
| D | AA | AA | D | |
| C | AA | AA | C | |
| B | AC | AC | B | |
| A | AA | AA | A | |
| ROW | 1 | 2 | ROW | PART NUMBER |

CONTACT LOAD CHART

| | | | | |
|-----|----|----|-----|-------------|
| E | AC | AC | E | 1-5536642-0 |
| D | AB | AB | D | |
| C | AD | AD | C | |
| B | | | B | |
| A | AC | | A | |
| ROW | 1 | 2 | ROW | PART NUMBER |


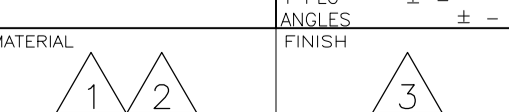
CONTACT LOAD CHART

| | | | | |
|-----|----|----|-----|-------------|
| E | AC | AA | E | 2-5536642-5 |
| D | AC | AA | D | |
| C | AC | AA | C | |
| B | AC | AA | B | |
| A | AC | AA | A | |
| ROW | 1 | 2 | ROW | PART NUMBER |

CONTACT LOAD CHART

| | | | | |
|-----|----|----|-----|-------------|
| E | AA | AA | E | 2-5536642-6 |
| D | AB | AB | D | |
| C | AC | AC | C | |
| B | | | B | |
| A | AB | AC | A | |
| ROW | 1 | 2 | ROW | PART NUMBER |

CONTACT LOAD CHART

| | | | |
|---|--|---------------------------------|---|
| THIS DRAWING IS A CONTROLLED DOCUMENT. | | DIN T. SHUEY 1-7-98 |  TE Connectivity |
| DIMENSIONS: mm | | CHK W. MILLHIMES 1-16-98 | |
| TOLERANCES UNLESS OTHERWISE SPECIFIED: | | APPV W. MILLHIMES 1-16-98 | NAME |
| 0. PLC ± - 1. PLC ± - 2. PLC ± - 3. PLC ± - 4. PLC ± - ANGLES ± - | | PRODUCT SPEC 108-1441 | ASSEMBLY, PIN, VERTICAL, 5 ROW, POWER MODULE, PRESS FIT LEAD, Z-PACK 2mm HM |
| MATERIAL | | SIZE 114-1075 | RESTRICTED TO |
| FINISH | | WEIGHT - | SCALE 4:1 |
|  | | CUSTOMER DRAWING | SHEET 2 OF 2 |
| | | DRAWING NO. 00779 | REV A2 |
| | | DRAWING NO. 5536642 | |