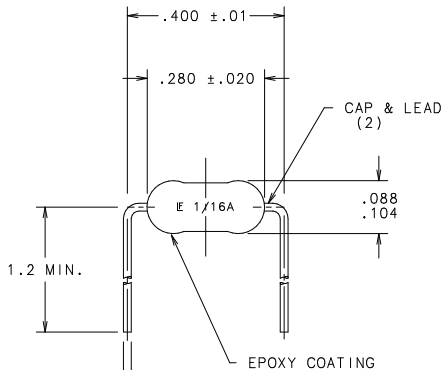


CATALOG No.	AMP (NOTE 1)	VOLTS
0252.062	1/16	125
0252.125	1/8	125
0255.250	1/4	125
0252.375	3/8	125
0252.500	1/2	125
0252.750	3/4	125
0252001	1	125
025201.5	1 1/2	125
0252002	2	125
025202.5	2 1/2	125
0252003	3	125
025203.5	3 1/2	125
0252004	4	125
0252005	5	125
0252007	7	125
0252010	10	125
0252012	12	32
0252015	15	32

ELECTRICAL CHARACTERISTICS			
% OF AMPERAGE RATING	CLEARING TIME 7A & LOWER	CLEARING TIME 10A	CLEARING TIME 12A & HIGHER
100%	4 HRS. MIN.	4 HRS. MIN.	4 HRS. MIN.
200%	1 SEC. MAX.	3 SEC. MAX.	10 SEC. MAX.

NOTES:

- UL RECOGNIZED THRU 15A & CSA CERTIFIED. INTERRUPTING CAPACITY TO 300A DC AT 125V, 50A AC AT 125V
- MATERIALS:
BODY - GLASS
COATING - INSULATING EPOXY
LEADS - SOLDER COATED COPPER
- TO BE STAMPED WITH L/F & AMPERAGE ON 2 OPPOSITE SIDES.



.025 ± .002 (1/16A-10A)
.032 ± .002 (12A-15A)

NO		COMPONENT NO		DESCRIPTION		QTY/M		U/M	
BILL OF MATERIAL									
LTR		REV		DATE		SCALE		FINISH	
N		37485D - REVISE & REDRAWN		6/11/96		2:1			
APD		BJJ				SUPER DRW			
CHK						RAW STK WT		LBS/M	
APD								TOLERANCE UNLESS OTHERWISE SPECIFIED	
								TWO PLACE DEC ±.01 FRACTION ±	
								THREE PLACE DEC ±.005 ANGULAR ±1°	
								TITLE	
								PICO II	
								DRAWN NO. 0252000	
								OUTLINE	

1. CPK VALUE
 2. MINIMUM CP VALUE
 3. DIMENSIONS SHOWN ON DRAWING, AND NOT WITHIN DIMENSIONS SHOWN ON DRAWING, SHALL BE USED TO ALLOW FOR MAXIMUM TOOL LIFE.
 4. SPEC PROVIDES A CHARACTERISTIC THAT PROVIDES AN INDICATION OF PROCESS PERFORMANCE. PROCEDURE FOR MEASUREMENT AND ACCEPTANCE TO BE DEFINED IN LITTELFUSE INSPECTION INSTRUCTIONS.
 5. UNLESS OTHERWISE SPECIFIED-DIMENSIONS DO NOT INCLUDE PLATING.
 6. DECIMAL DIMENSIONS--MINIMUM CPK VALUE-----
 7. CONTROLLED DOCUMENT

LITTELFUSE
 DES PLAINES, ILLINOIS 60016
 PICO II