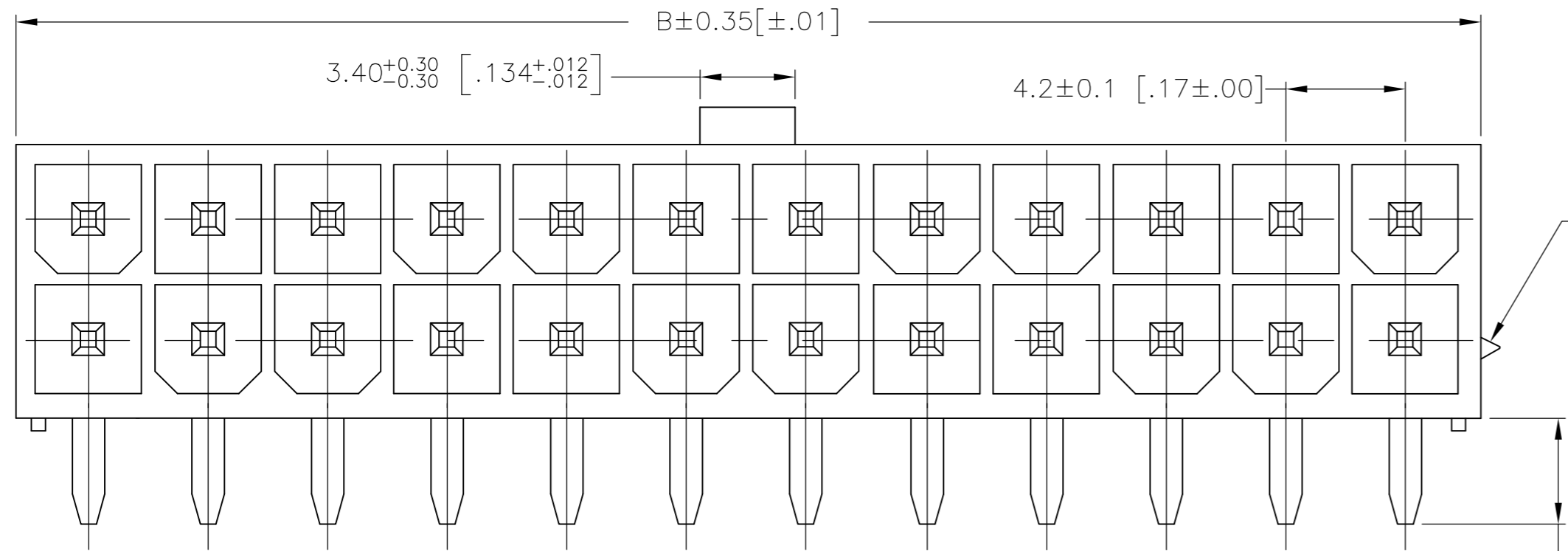


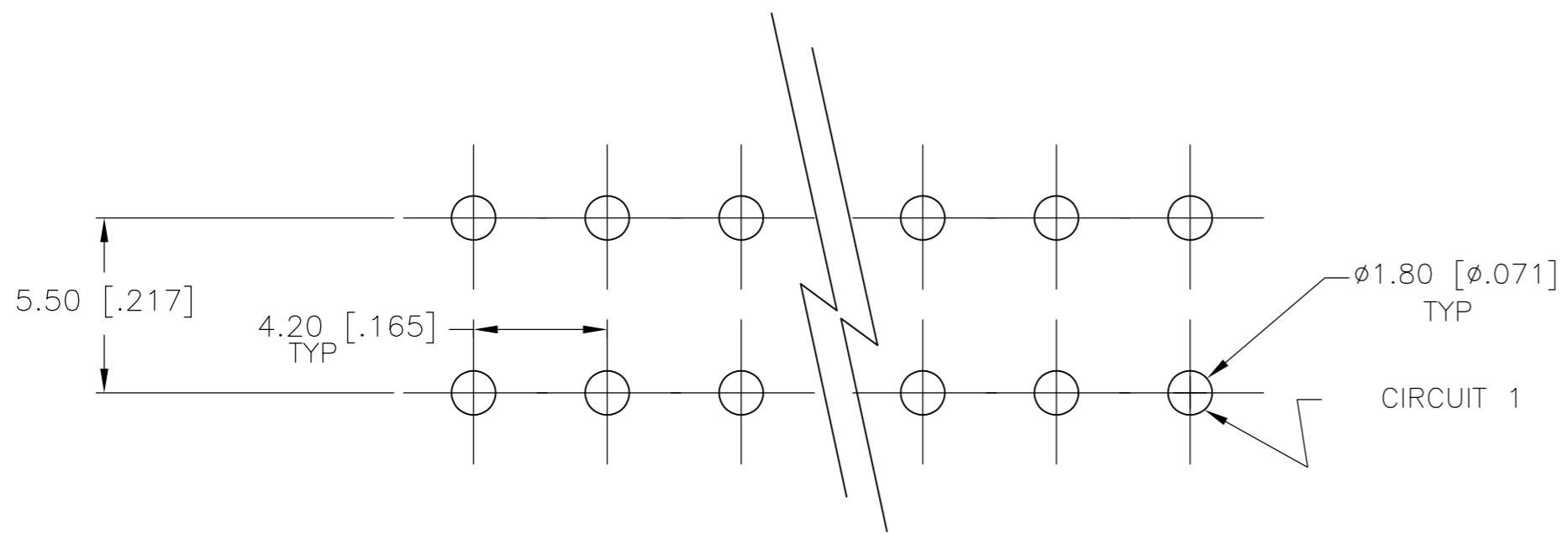
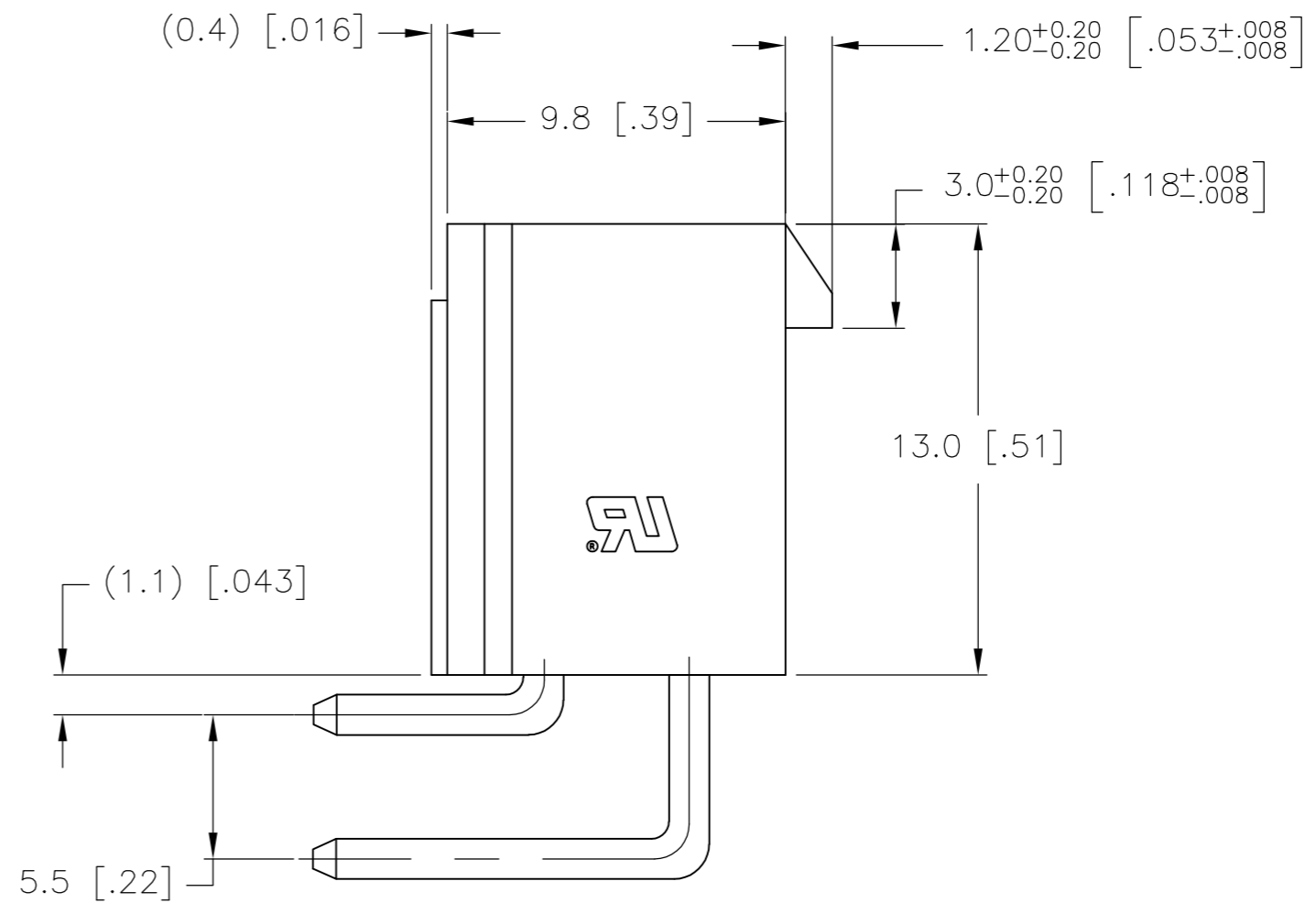
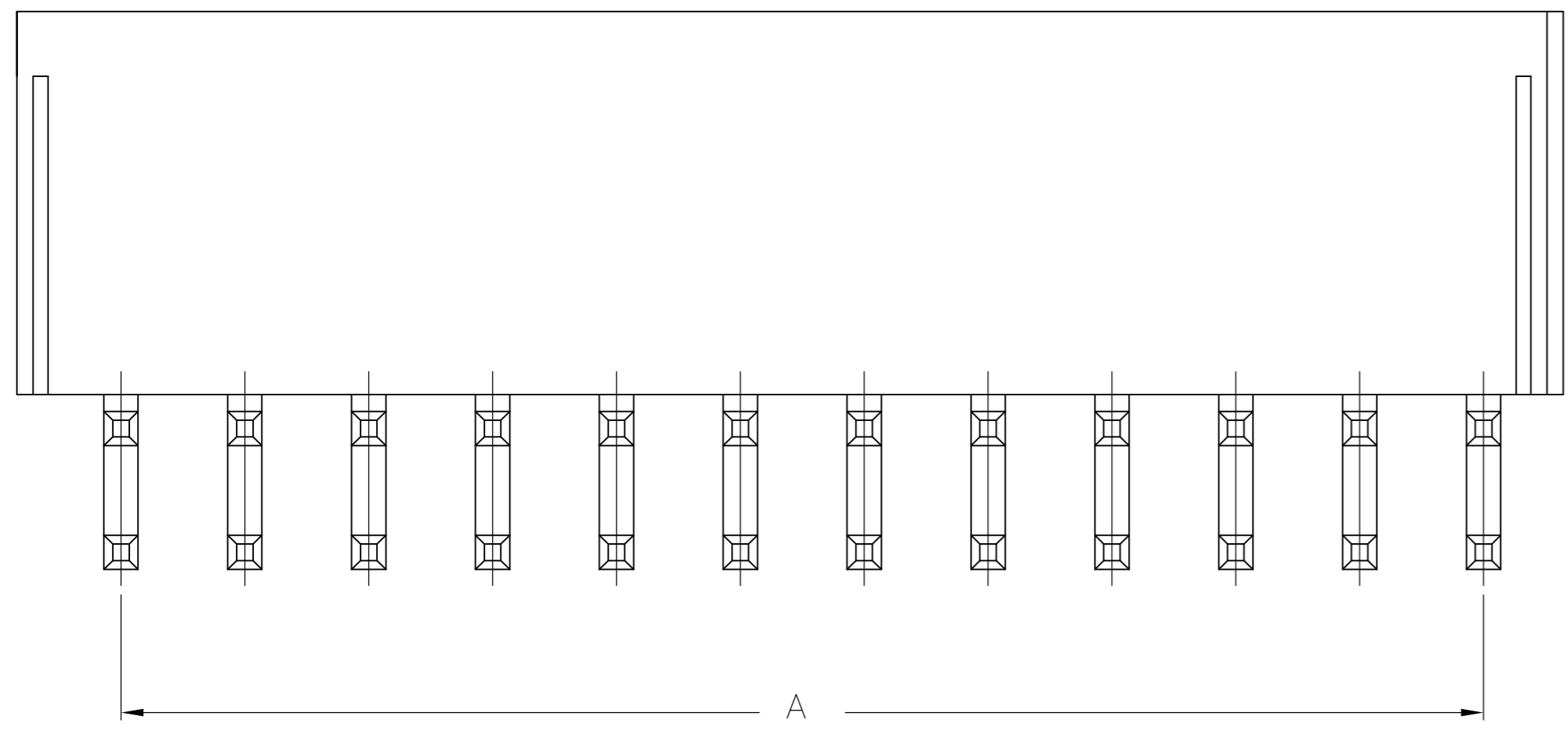
THIS DRAWING IS UNPUBLISHED. RELEASED FOR PUBLICATION  
 © COPYRIGHT - By - ALL RIGHTS RESERVED.

| LOC |     | DIST        |                           | REVISIONS |           |      |     |
|-----|-----|-------------|---------------------------|-----------|-----------|------|-----|
| P   | LTR | DESCRIPTION |                           | DATE      | DWN       | APVD |     |
| CM  | 00  | B4          | REVISED PER ECR-12-021619 |           | 17DEC2012 | A.Z  | F.M |



POSITION 1 IDENTIFICATION FEATURE

- 1 MATERIAL: HOUSING-NYLON, UL94V-0 (COLOR-NATURAL, COLOR OF PARTS MAY VARY) CONTACTS-0.25 [.010] THICK BRASS ALLOY.
- 2 CONTACT FINISH: 0.002032 [.000080] MIN MATTE TIN OVER 0.000381 [.000015] MIN NICKEL OVER ENTIRE CONTACT.
- 3 MATES WITH VAL-U-LOK(TM) RECEPTACLE HOUSINGS.



PCB LAYOUT: COMPONENT SIDE  
 RECOMMENDED BOARD THICKNESS 1.60 [.063]

2-1586042-4 SHOWN

| POS | A                       | B ± 0.35 [±.01] | PART NUMBER |
|-----|-------------------------|-----------------|-------------|
| 2   |                         | 5.4 [.21]       | 1586042-2   |
| 4   | 4.2 ± 0.1 [.17 ± .00]   | 9.6 [.38]       | 1586042-4   |
| 6   | 8.4 ± 0.1 [.33 ± .00]   | 13.8 [.54]      | 1586042-6   |
| 8   | 12.6 ± 0.1 [.50 ± .00]  | 18.0 [.71]      | 1586042-8   |
| 10  | 16.8 ± 0.1 [.66 ± .00]  | 22.2 [.87]      | 1-1586042-0 |
| 12  | 21.0 ± 0.2 [.83 ± .01]  | 26.4 [1.04]     | 1-1586042-2 |
| 14  | 25.2 ± 0.2 [.99 ± .01]  | 30.6 [1.21]     | 1-1586042-4 |
| 16  | 29.4 ± 0.2 [1.16 ± .01] | 34.8 [1.37]     | 1-1586042-6 |
| 18  | 33.6 ± 0.2 [1.32 ± .01] | 39.0 [1.54]     | 1-1586042-8 |
| 20  | 37.8 ± 0.2 [1.49 ± .01] | 43.2 [1.70]     | 2-1586042-0 |
| 22  | 42.0 ± 0.2 [1.65 ± .01] | 47.4 [1.87]     | 2-1586042-2 |
| 24  | 46.2 ± 0.2 [1.82 ± .01] | 51.6 [2.03]     | 2-1586042-4 |

|  |  |                           |  |                 |
|--|--|---------------------------|--|-----------------|
| THIS DRAWING IS A CONTROLLED DOCUMENT. |  | DWN S. HOOVER 18-SEP-2002 |  |                 |
| DIMENSIONS: mm [INCHES]                |  | CHK D. COLEY 18-SEP-2002  |  |                 |
| TOLERANCES UNLESS OTHERWISE SPECIFIED: |  | APVD D. COLEY 18-SEP-2002 | NAME   |                 |
| 0 PLC ±                                |  | PRODUCT SPEC              | RIGHT ANGLE HEADER, WITHOUT PEGS VAL-U-LOK(TM) |                 |
| 1 PLC ±                                |  | APPLICATION SPEC          | SIZE A2  | CAGE CODE 00779 |
| 2 PLC ± 0.5 [.02]                      |  | WEIGHT                    | DRAWING NO C=1586042                           | RESTRICTED TO - |
| 3 PLC ± 0.25 [.010]                    |  | CUSTOMER DRAWING          | SCALE 10:1                                     | SHEET 1 of 1    |
| 4 PLC ± 0.150 [0059]                   |  |                           | REV B4   |                 |
| ANGLES ±                               |  |                           |  |                 |
| FINISH                                 |  |                           |  |                 |