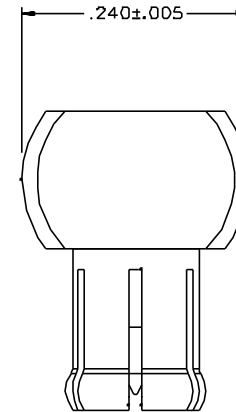
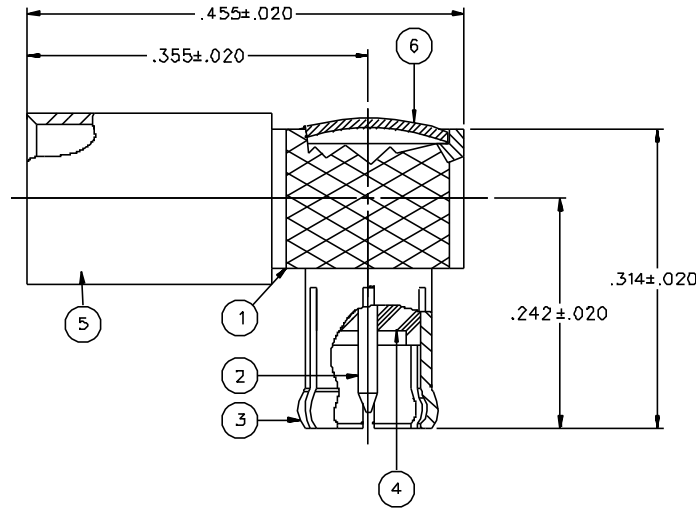


PART NUMBER 133-8434-101	ITEM ① BODY BRASS GOLD PL .00001 MIN OVER NICKEL PL .00005 MIN OVER COPPER PL .00005 MIN	ITEM ② CONTACT BERYLLIUM COPPER GOLD PL .00003 MIN OVER NICKEL PL .00005 MIN OVER COPPER PL .00005 MIN	ITEM ③ INTERFACE BERYLLIUM COPPER GOLD PL .00003 MIN OVER NICKEL PL .00005 MIN OVER COPPER PL .00005 MIN	ITEM ④ INSULATOR TEFLON	ITEM ⑤ CRIMP SLEEVE COPPER GOLD PL .00001 MIN OVER NICKEL PL .00005 MIN OVER COPPER PL .00005 MIN	ITEM ⑥ END CAP BRASS GOLD PL .00001 MIN OVER NICKEL PL .00005 MIN OVER COPPER PL .00005 MIN
-----------------------------	---	---	---	-------------------------------	--	--



NOTES:

1. SPECIFICATIONS:

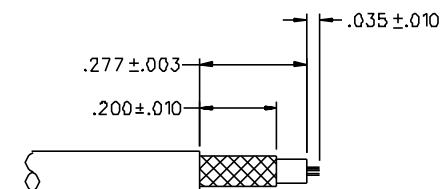
IMPEDANCE: 75 OHMS
 FREQUENCY RANGE: 0-6 GHz
 VSWR: 1.07+.04F MAX (F IN GHz)
 WORKING VOLTAGE: 335 VRMS MAX AT SEA LEVEL
 DIELECTRIC WITHSTANDING VOLTAGE: 1000 VRMS MIN AT SEA LEVEL
 INSULATION RESISTANCE: 1000 MEGOHM MIN
 CONTACT RESISTANCE:
 CENTER CONTACT - INITIAL 5 MILLIOHM MAX, AFTER ENVIRONMENTAL 15 MILLIOHM MAX
 OUTER CONDUCTOR - INITIAL 1 MILLIOHM MAX, AFTER ENVIRONMENTAL 1.5 MILLIOHM MAX
 BODY TO CABLE - INITIAL 1 MILLIOHM MAX, AFTER ENVIRONMENTAL NOT APPLICABLE
 CORONA LEVEL: 250 VOLTS MINIMUM AT 7D.DD0 FEET
 INSERTION LOSS: .2 DB MAX AT 1 GHz
 RF LEAKAGE: -55 DB AT 2.5 GHz
 RF HIGH POTENTIAL WITHSTANDING VOLTAGE: 700 VRMS AT 4 AND 7 MHz

MECHANICAL:

ENGAGE/DISENGAGE FORCE: 5.6 LBS MAX ENGAGEMENT
 1.0/8.0 LBS MIN/MAX DISENGAGEMENT
 CONTACT RETENTION FORCE: 2.3 LBS MIN AXIAL FORCE
 CONTACT RETENTION TORQUE: NOT APPLICABLE
 COUPLING MECHANISM RETENTION: NOT APPLICABLE
 CABLE ACCEPTABILITY: RG 179 2X BRAID, RG 187 2X BRAID
 CABLE HEX CRIMP SIZE: .151
 CABLE RETENTION: 25 LBS MIN AXIAL FORCE
 DURABILITY: 500 CYCLES MIN

ENVIRONMENTAL:

(MEETS OR EXCEEDS THE APPLICABLE PARAGRAPH OF MIL-C-39012)
 THERMAL SHOCK: MIL-STD-202, METHOD 107, CONDITION B
 OPERATING TEMPERATURE: -65 DEG C TO 165 DEG C
 CORROSION: MIL-STD-202, METHOD 101, CONDITION B
 SHOCK: MIL-STD-202, METHOD 102, CONDITION B
 VIBRATION: MIL-STD-202, METHOD 204, CONDITION B



CABLE STRIP DIMENSIONS

4:1

DRAWING NO. C - 133-8434-101/110			
0 REVISIONS			
ENGINEERING RELEASE			
1	6-30-99	R H A J F	7-12-99 ECN 46511
VERSION UPDATE			
2	10-4-99	R H A J F	10-6-99 ECN 46601
CHANGED: 1.0/8.0 LBS MIN/MAX DISENGAGE WAS 3.0 LBS TYPICAL, 1.0 LB MIN			
* REVISION NUMBER FOLLOWED BY AN ALPHA * * CHARACTER INDICATES DRAWING CLARIF. * * CATION OR PART NUMBER ADDITION ONLY. *			
2a	10-19-00	R H A J F	ECN 47351

CUSTOMER DRAWING

THIS DRAWING TO BE INTERPRETED PER ANSY 14.5M - 1982

"μSTATION"

COMPANY CONFIDENTIAL

TOLERANCE UNLESS OTHERWISE SPECIFIED	DRAWN BY T.A.KARI	DATE 2-17-99	 Cinch Connectivity Solutions 299 Johnson Ave. Ste. 100 Wesco, MN 55093 1-800-247-8256	
DECIMALS .XX	CHECKED BY	DATE	TITLE PLUG ASSEMBLY RIGHT ANGLE .RG 179 2X BRAID MCX 75 OHM	
.XXX	APPROVED BY TAK	DATE 7-1-99	CODE NO.	DRAWING NO. C - 133-8434-101/110
MATL	APPROVED BY RJB	DATE 7-2-99	SCALE 10:1	U/W INCH SHEET 2 OF 2
FINISH	RELEASE DATE	7-12-99		