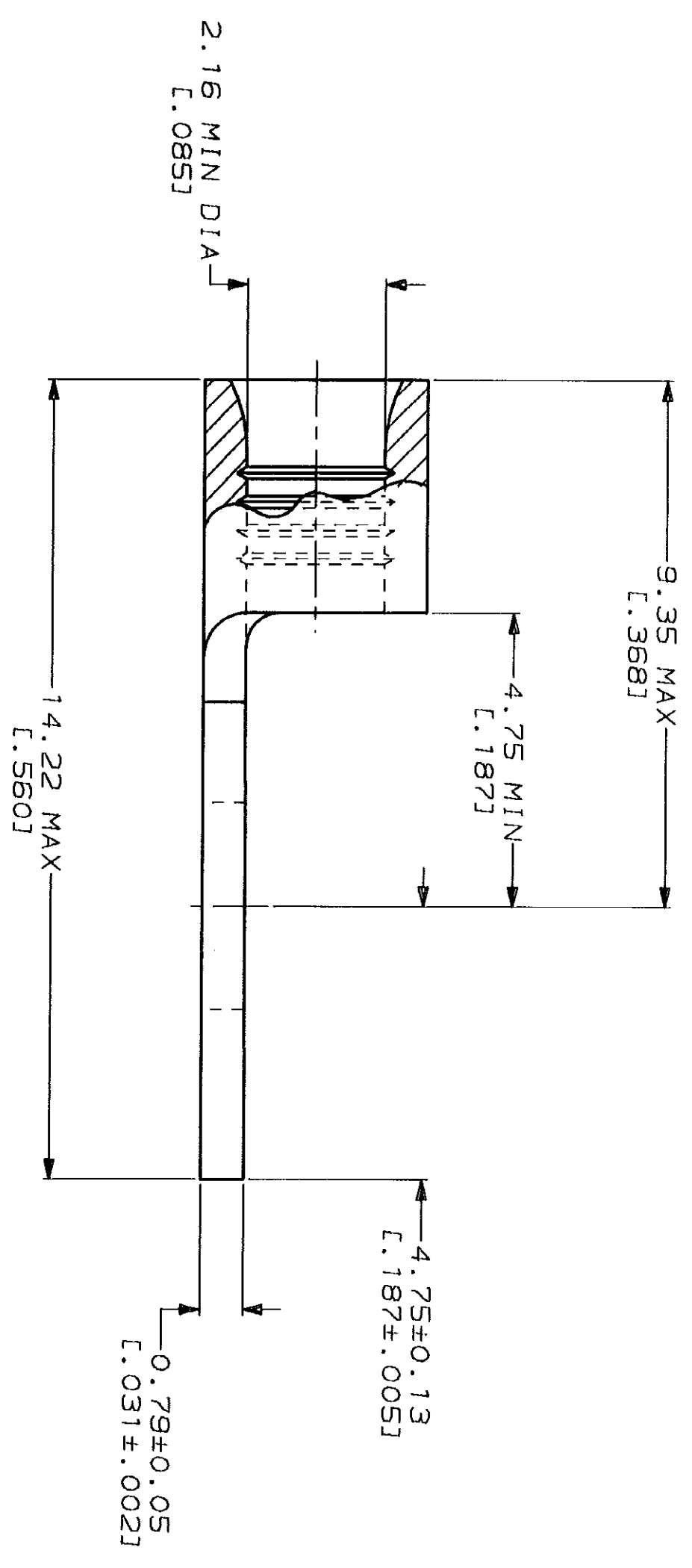
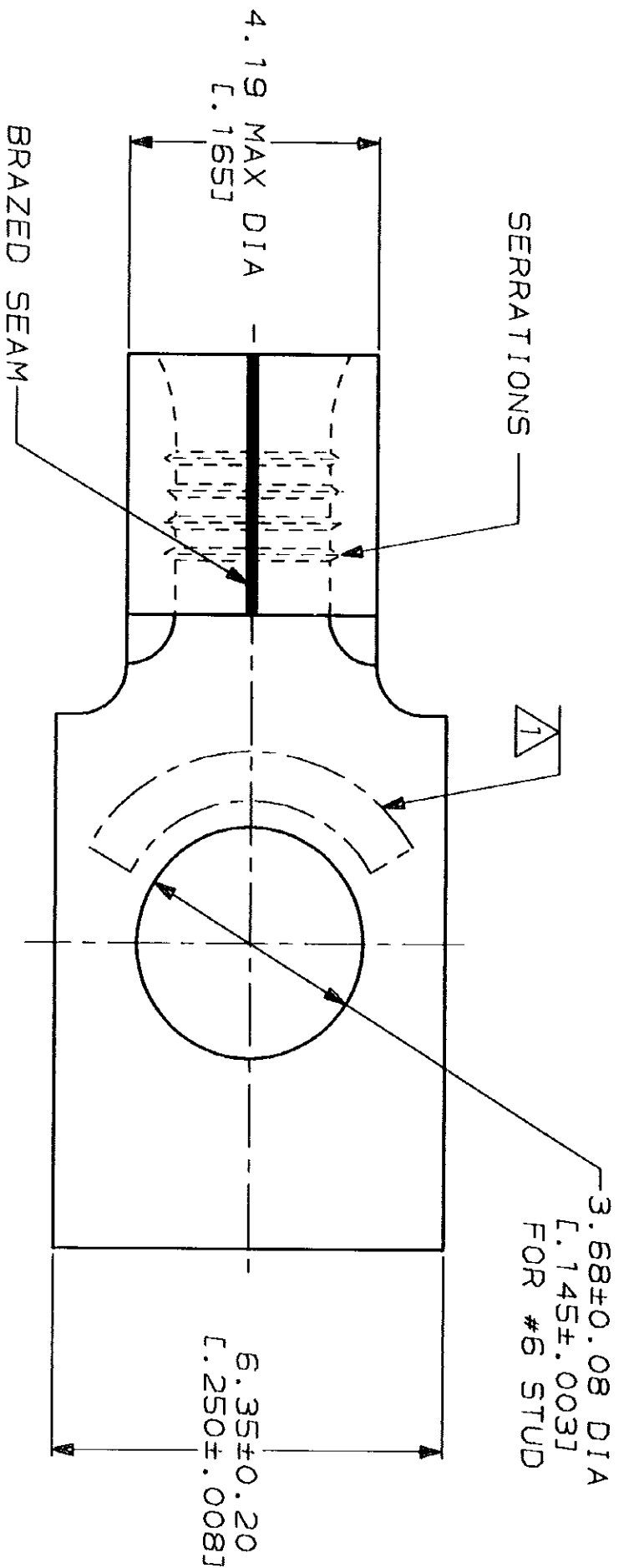


LOC	DIST	F	ZONE	LTR	REV	DESCRIPTION	DATE	APPD
G	14			C	REV 8	REDRAWN PER 0720-0040-93	3-26-93	YB GAP

**METRIC**  
DIMENSIONS LISTED IN MM [ INCHES ]

<b>AMP</b> WIRE RANGE	<b>UL</b> E13288 Listed
16-14 AWG SOLID OR STRANDED	16-14 AWG SOLID OR STRANDED
<b>LR7189</b> Certified	MILITARY P/N AND CLASS
16-14 AWG SOLID OR STRANDED	NOT APPLICABLE

△ STAMP AMP 16-14\* APPROX AS SHOWN



**AMP INCORPORATED**  
**CUSTOMER SERVICE SYSTEMS**

FOR ADDITIONAL PRODUCT INFORMATION OR COPIES OF DRAWINGS AND TECHNICAL DOCUMENTS	PRODUCT INFORMATION CENTER 1-800-522-6752
FOR APPLICATION TOOLING INFORMATION	TOOLING ASSISTANCE CENTER 1-800-722-1111
FOR ORDER ENTRY	1-800-526-5142

MAX RECOMMENDED OPERATING TEMPERATURE: 170°C MAX  
VOLTAGE RATING: NOT APPLICABLE  
WIRE CROSS SECTIONAL AREA RANGE: 1.04-2.62mm<sup>2</sup> [2,050-5,180] CIR MILS SOLID OR STRANDED

DO NOT SCALE PRINT. UNLESS SPECIFIED DIMENSIONS IN mm FINISHES - TOLERANCES ON: 1 PLG DEC ± .001 2 PLG DEC ± .002 3 PLG DEC ± .002 ANGLES -  
MATERIAL: COPPER PER ASTM B-152 ANNEALED  
FINISH: TIN PLATE  
0.00254L [0.00100] MIN THK PER MIL-T-10727

DR 3-26-93 TA BRINKMAN	APPD 3-26-93 JL MECKLEY
CHK 3-26-93 DA PATTERSON	
APPD 3-26-93 DE MILLER	

<b>AMP</b>	AMP Incorporated Harrisburg, PA 17105-3608
NAME	TERMINAL, RECTANGULAR TONGUE, SOLI STRAND™
SIZE	CAGE CODE 00779 DRAWING NO G=320815
SCALE	10:1

320815  
PART NO