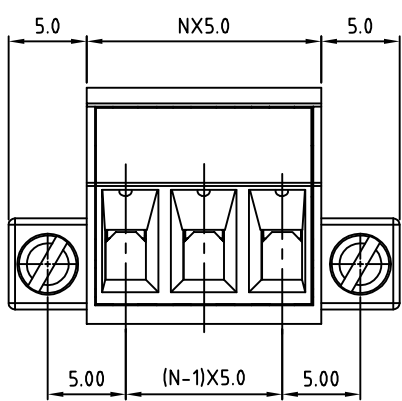
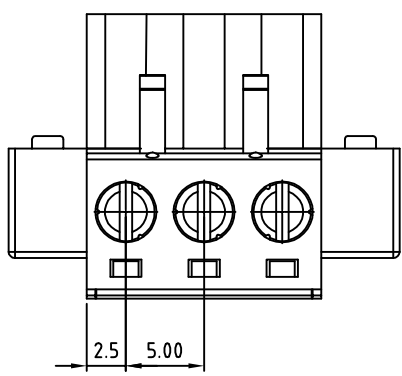
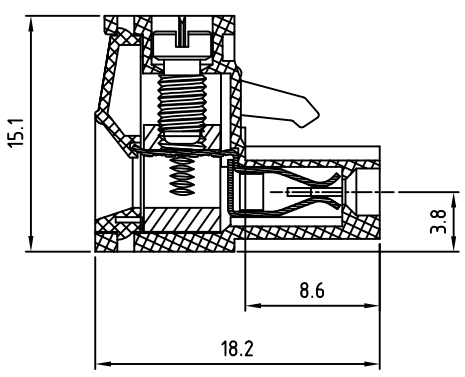


SIGN	DATE	DESCRIPTION	APPROVER
THIS IS CAD DRAWING, DO NOT REVISE MANUALLY!!!			



N=Number of contacts



Material

- Terminal body (metal housing): Brass(CuZn)
 - Terminal screw: Steel Zinc plating "-" slot type
 - Wire guard: PhBz ,Tin plated
 - With flange screw : steel M2.5
 - Insulator (housing): Thermoplastic (UL94V-0)
- Electrical cULus / VDE / TUV
- Voltage rating: 300V / 300V / 300V
 - Current rating: 20A / 20A / 20A
 - Wire range: 2.5mm²/ 0.34-2.5mm²
 - Solid wire(AWG): 12-24
 - Stranded wire(AWG): 12-24
 - Torque: 5Lb-In / 0.5N.m / 0.56N.m
 - Screw: M3
 - Wire strip length: 7-8mm
 - Withstanding Voltage: 1.6KV / 2.5KV / 2.5KV
 - Operating temperature: -30° C to +105° C
 - Safety Approval: cULus / VDE / TUV
- RoHS Compliant

PART NUMBER:

OSTTJXX7152

- | | |
|--------------|---------------------|
| No. of Poles | COLOR |
| 02: 2 Poles | 0: Black |
| 03 3 Poles | 5: Green (Standard) |
| | 6: Blue |
| 24 24 Poles | 8: Grey |

THESE DRAWINGS AND SPECIFICATIONS ARE THE PROPERTY OF ON-SHORE TECHNOLOGY, INC. AND SHALL NOT BE REPRODUCED, COPIED OR USED IN ANY MANNER WITHOUT THE PRIOR WRITTEN CONSENT OF ON-SHORE TECHNOLOGY, INC.



TITLE		OSTTJ-5.0mm Series With flange 2p-24p					
PART NO.	OSTTJXX7152			DWG NO.	OSTTJXX7152.DWG		
APPROVED	CHECKED	DESIGNED	DRAWN	CUST NO.	Tolerance		
Shi Jun 2006.10.23	Marvin 2006.10.23	Marvin 2006.10.23	Marvin 2006.10.23		UNIT: mm	X.	±0.50
				SHEET: 01/01	SCALE: NONE	X.X	±0.30
					REV: E	X.XX	±0.10
						X°	±1°