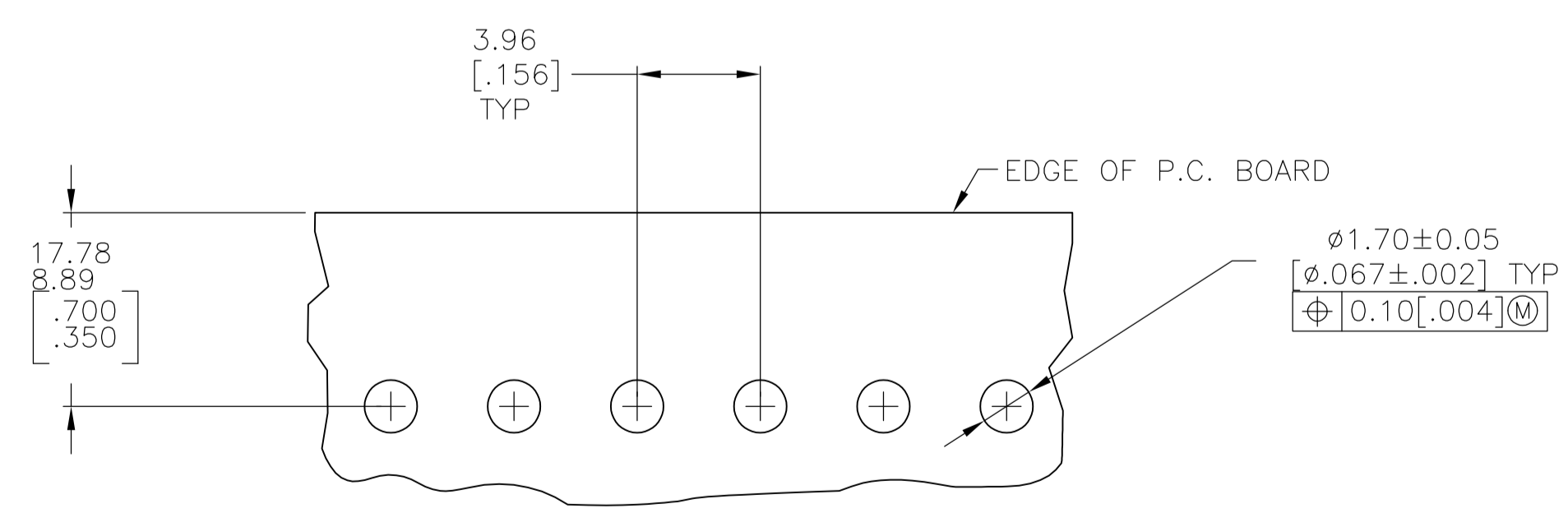
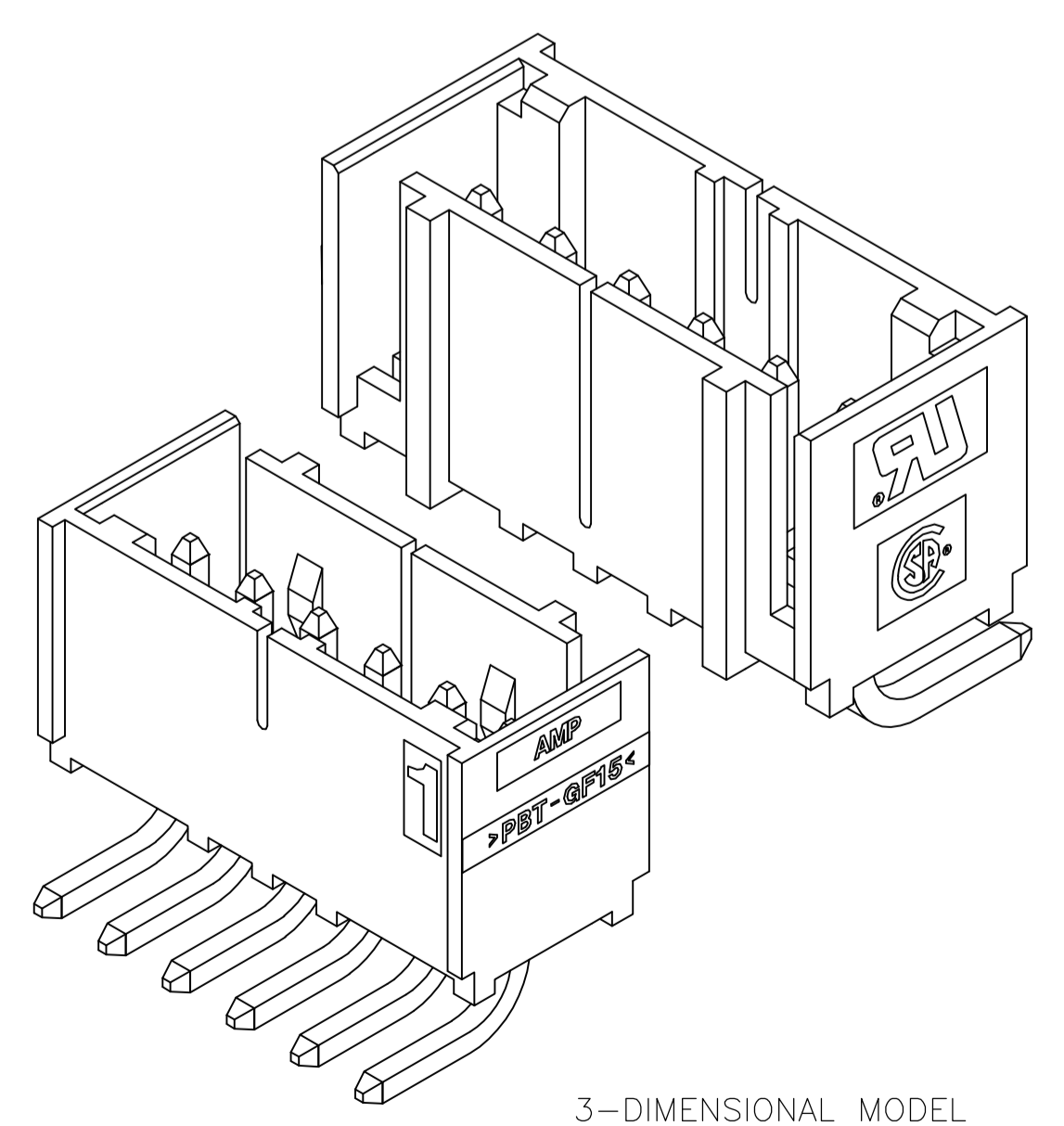
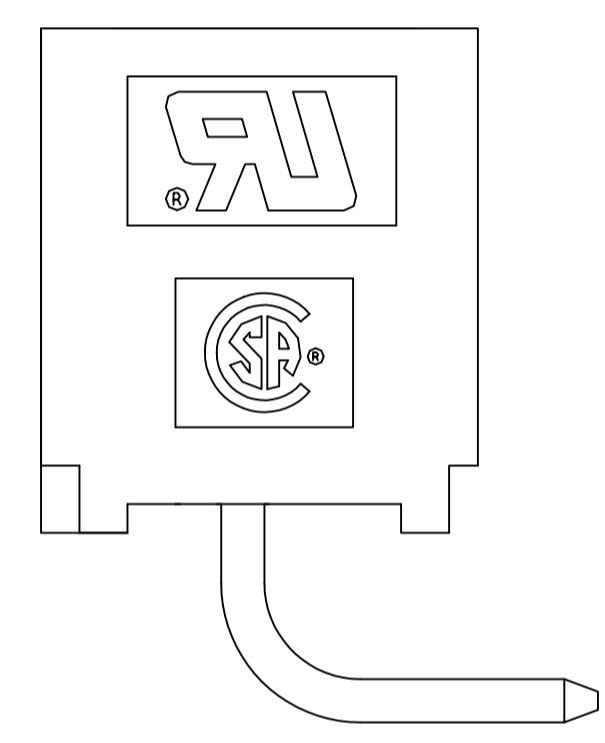
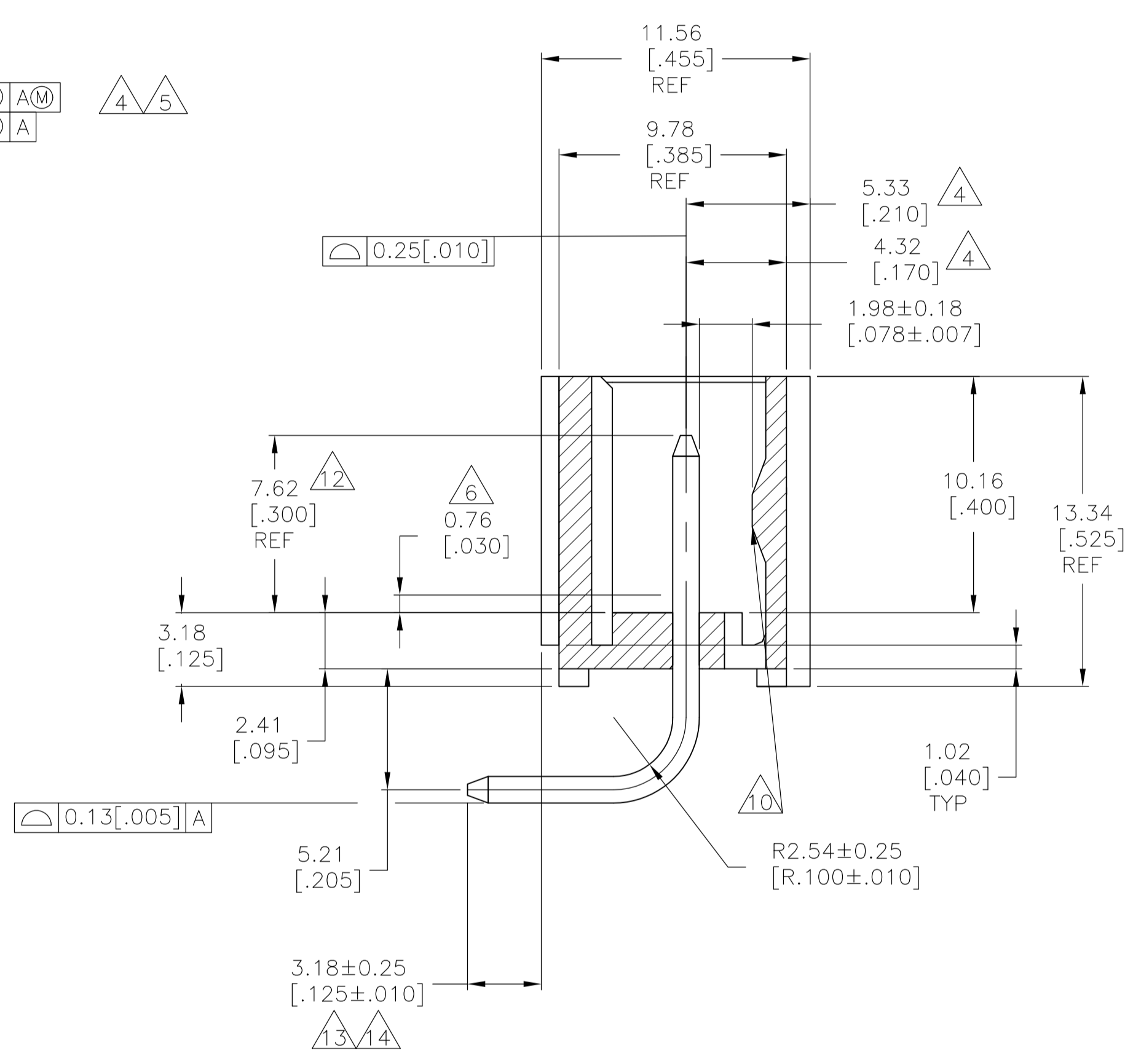
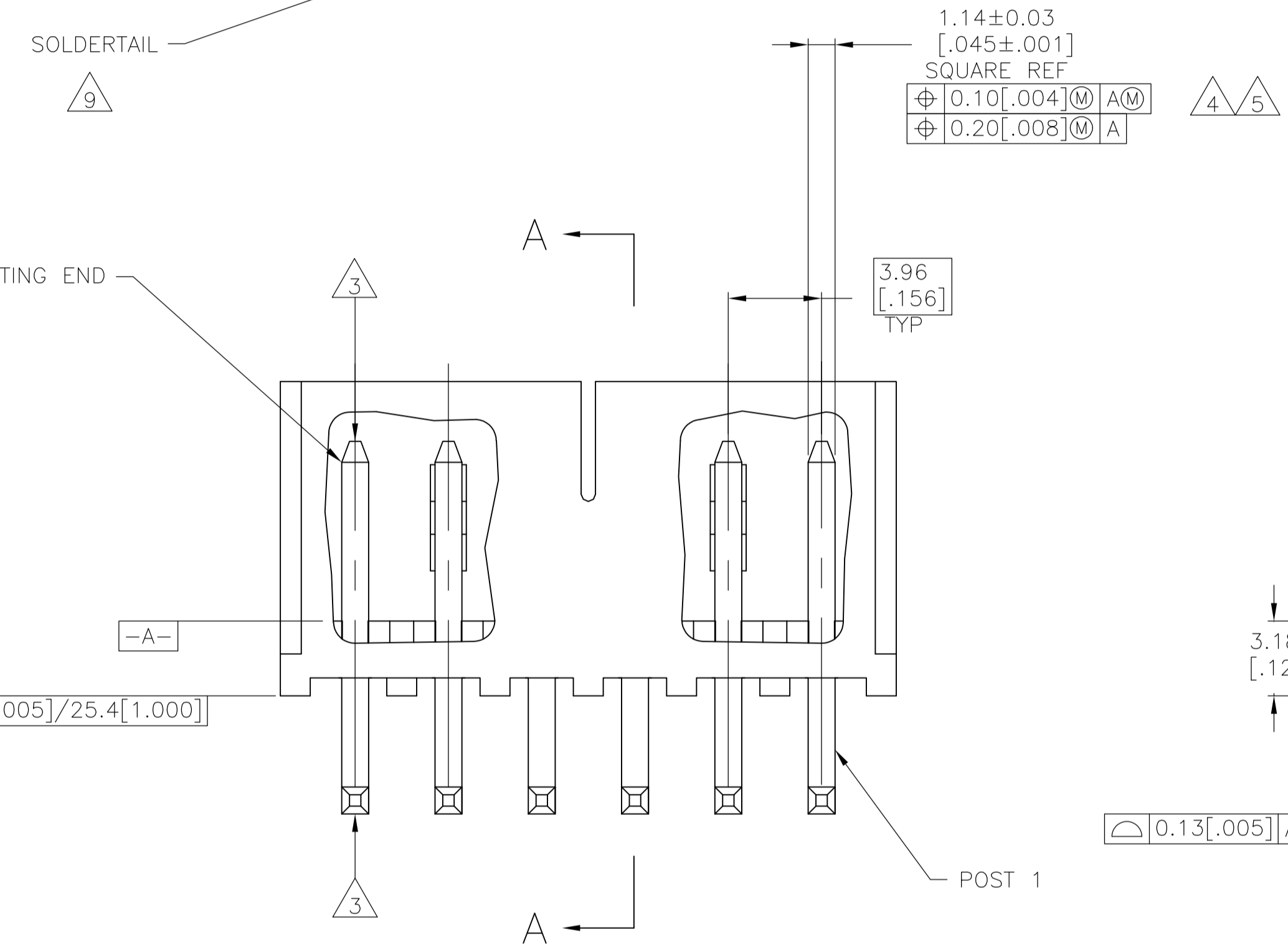
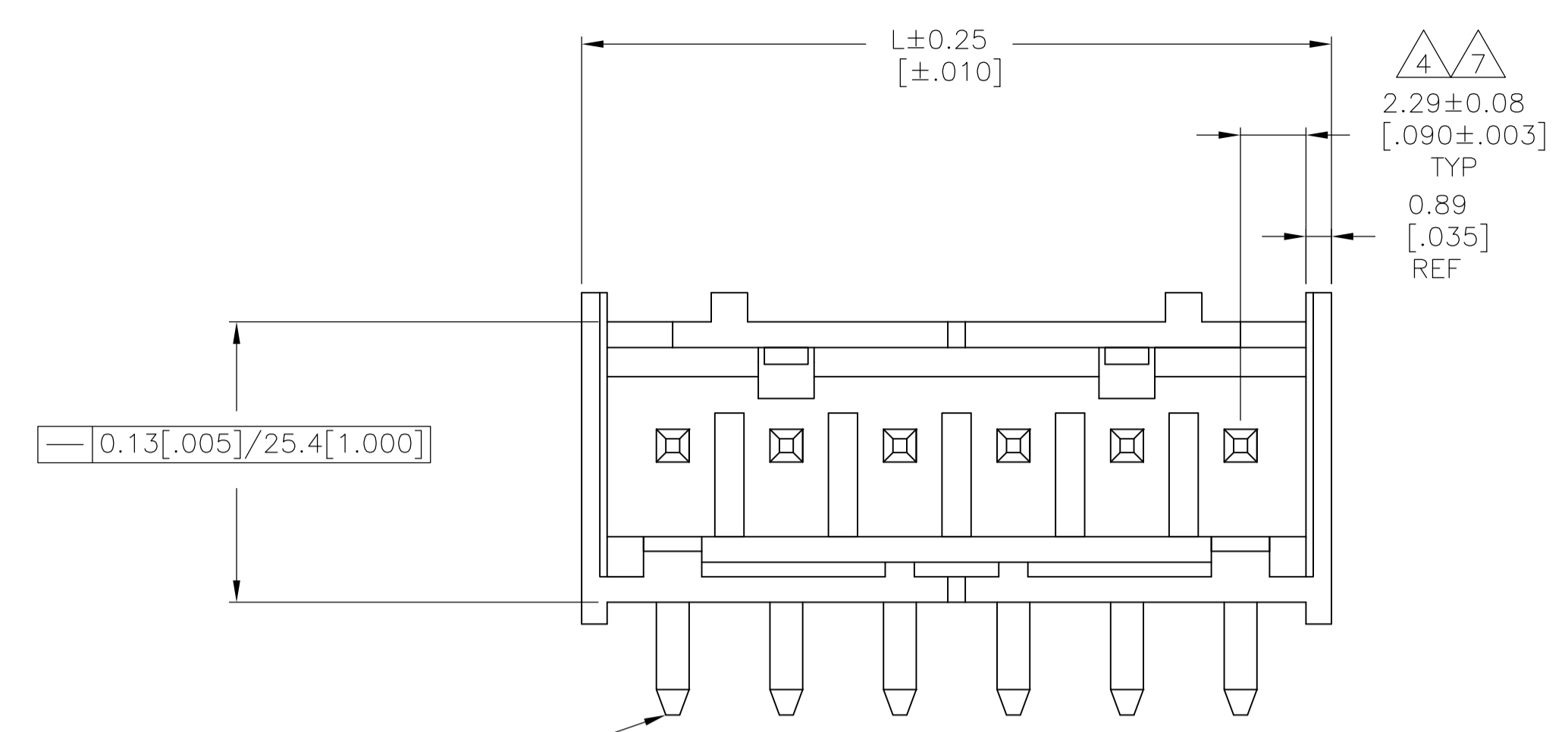


LOC		DIST		REVISIONS			
CM	0	REV	DATE	BY	APPV	DATE	BY
E	REVISED PER ECO-11-015326		18OCT11	KH	SM		



RECOMMENDED MOUNTING HOLE PATTERN FOR 1.57[.062] THICK P.C. BOARD

- 1 MATERIAL: HOUSING - THERMOPLASTIC POLYESTER, GLASS FILLED, UL94-0. POST - COPPER ALLOY
- 2 FINISH: HOUSING - BLACK. POST - SEE NOTES 12, 13 AND 14 FOR PLATING.
- 3 POST TO WITHSTAND 3LBS (16N) MIN AXIAL FORCE IN THIS DIRECTION WITHOUT DISLODGING.
- 4 APPLIES AT -A-
- 5 APPLIES WHEN HEADER IS STRAIGHT.
- 6 PLASTIC PROJECTIONS PERMITTED IN THIS ZONE.
- 7 COORDINATE DIMENSIONS APPLIES FROM CENTER OF ACTUAL FEATURE.
- 8 SOLDER SIDE OF BOARD IS SHOWN.
- 9 POST SOLDERTAIL MUST COMPLY WITH AMP SOLDERABILITY SPEC 109-11-2.
- 10 LATCH DETENT FEATURE APPEARS 1 PLACE ON EACH END OF PART (MAX OF 2 PER PART) ON ALL POSITIONS 4 THRU 12. THE LATCH APPEARS ONLY ONE PLACE ON 2 & 3 POSITION PARTS.
- 11 DIMENSIONS IN BRACKETS ARE IN INCHES.
- 12 PLATING: GOLD PLATE AREA, 0.00076 [.000030] GOLD OR 0.00008 [.000003] MIN GOLD FLASH OVER 0.00068 [.000027] PALLADIUM NICKEL, PER TE CONNECTIVITY'S DISCRETION, ALL SIDES, OVER NICKEL UNDERPLATE, 0.00127 [.000050] MIN, ALL SIDES AND ENTIRE LENGTH OF POST.
- 13 BRIGHT TIN LEAD (93/7) PLATE AREA 0.00381 - 0.0089 [.000150 - .000350] ALL FOUR SIDES, 3.18 [.125] MIN..
- 14 MATTE TIN PLATE AREA 0.00381 - 0.0089 [.000150 - .000350] ALL FOUR SIDES, 3.18 [.125] MIN..
- 15 OBSOLETE PARTS: OBSOLETE CIS STREAMLINING PER D.RENAUD/D.SINISI

15-647133-6 SHOWN

15 SUPERSEDED

49.94	1.966	12	3-647133-2
45.97	1.810	11	3-647133-1
42.01	1.654	10	3-647133-0
38.05	1.498	9	2-647133-9
34.09	1.342	8	2-647133-8
30.12	1.186	7	2-647133-7
26.16	1.030	6	2-647133-6
22.20	.874	5	2-647133-5
18.24	.718	4	2-647133-4
14.27	.562	3	2-647133-3
10.31	.406	2	2-647133-2
49.94	1.966	12	1-647133-2
45.97	1.810	11	1-647133-1
42.01	1.654	10	1-647133-0
38.05	1.498	9	647133-9
34.09	1.342	8	647133-8
30.12	1.186	7	647133-7
26.16	1.030	6	647133-6
22.20	.874	5	647133-5
18.24	.718	4	647133-4
14.27	.562	3	647133-3
10.31	.406	2	647133-2

PLATING	MM	IN	NO OF POSN	PART NUMBER
	L	DIM		

THIS DRAWING IS A CONTROLLED DOCUMENT.

DIMENSIONS: mm [INCHES]
 TOLERANCES UNLESS OTHERWISE SPECIFIED:
 0 PLC ± -
 1 PLC ± -
 2 PLC ± -
 3 PLC ± .005
 4 PLC ± -
 ANGLES ± -

MATERIAL: -
 FINISH: -
 WEIGHT: -
 CUSTOMER DRAWING

DIN B LEWIS 6-17-98
 CJK R SWING 6-17-98
 APVD D CLARK 6-17-98
 NAME: MTA-156 SHROUDED HEADER ASSEMBLY, RIGHT ANGLE FRONT BEND .045 SQUARE POST, .000030 GOLD, W/O RETENTION PEG
 PRODUCT SPEC: -
 APPLICATION SPEC: -
 SIZE: A1
 CAGE CODE: 00779
 DRAWING NO: 647133
 SCALE: 5:1
 SHEET: 1 OF 1
 REV: E

