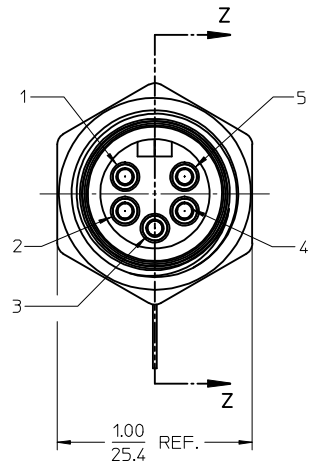
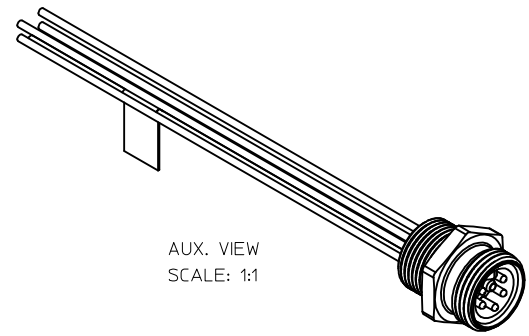
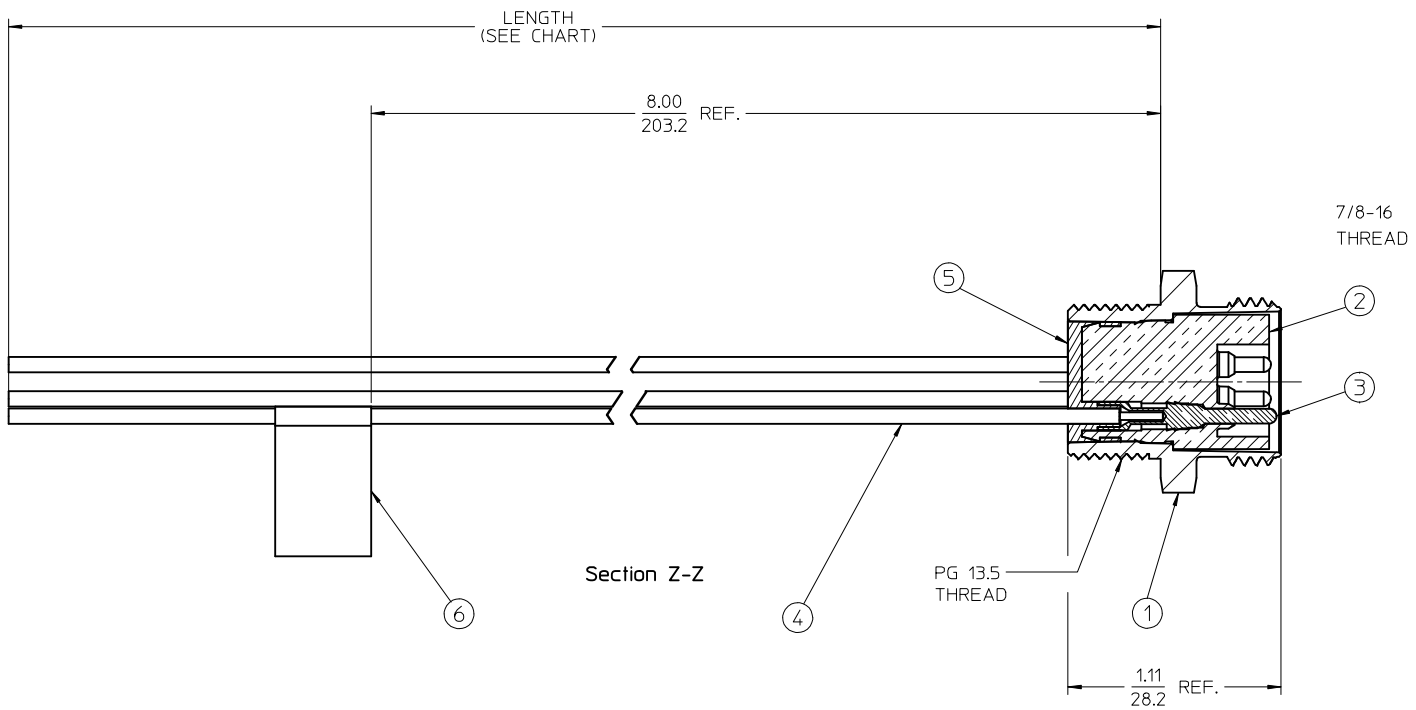
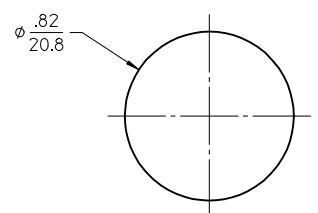
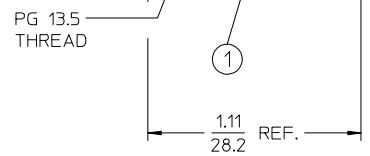


MATERIAL NO.	ENGINEERING NO.	LENGTH
1300130548	1R5D06A25A120	12.0 +.75 -0 (304.8 +19.1 -0)



Section Z-Z



KNOCKOUT HOLE

- NOTES:  
 1. MATERIAL: SEE TABLE  
 2. FINISHES: SEE TABLE  
 3. MATES WITH: 5C MINI CHANGE CABLE  
 4. ELECTRICAL SPECIFICATIONS:  
 VOLTAGE RATING: 300V AC/DC  
 CURRENT RATING: 5.6 AMPS  
 5. ASSEMBLY IS RoHS COMPLIANT

BLACK	1
BLUE	2
GREEN/YELLOW	3
BROWN	4
WHITE	5

WIRING DIAGRAM

ITEM	QTY.	DESCRIPTION	MATERIAL	FINISH
6	1	LABEL	PLASTIC FILM	BLACK/YELLOW
5	1	POTTING MATERIAL	EPOXY	
4	5	WIRE, 18 AWG	PVC INSULATION	SEE WIRE DIAGRAM
3	5	CONTACT PIN	Cu ALLOY	GOLD PLATED
2	1	INSERT	PVC	YELLOW
1	1	RECEPTACLE SHELL	ALUMINUM	CLEAR ANODIZED

RELEASED  
 EC NO: MNA2010-0125  
 DRAWN BY: DRWINSTONE 2009/08/26  
 CHKD: 2009/08/26  
 APPR: JFMURPHY 2009/08/27

QUALITY SYMBOLS	GENERAL TOLERANCES (UNLESS SPECIFIED)	
	mm	INCH
▽=0	4 PLACES ± ---	± ---
▽=0	3 PLACES ± ---	± ---
	2 PLACES ± ---	± .01
	1 PLACE ± 0.3	± ---
	ANGULAR ± 1/2°	

DIMENSION STYLE		SCALE	DESIGN UNITS	THIRD ANGLE PROJECTION
IN/MM		2:1	INCH	
DRAWN BY	DATE	TITLE		
R.STONE	2009/08/24	MINI-CHANGE, RECEPTACLE		
CHECKED BY	DATE	5P. MALE, 18 AWG		
B.WOODMAN	2009/08/27	PG 13.5 THREAD		
APPROVED BY	DATE	MATERIAL NO.		
JFMURPHY	2009/08/26	SEE CHART		
MATERIAL NO.		DOCUMENT NO.		
SD-130013-084		SHEET NO.		
		1 OF 1		

THIS DRAWING CONTAINS INFORMATION THAT IS PROPRIETARY TO MOLEX INCORPORATED AND SHOULD NOT BE USED WITHOUT WRITTEN PERMISSION