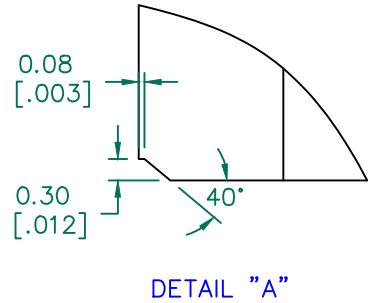
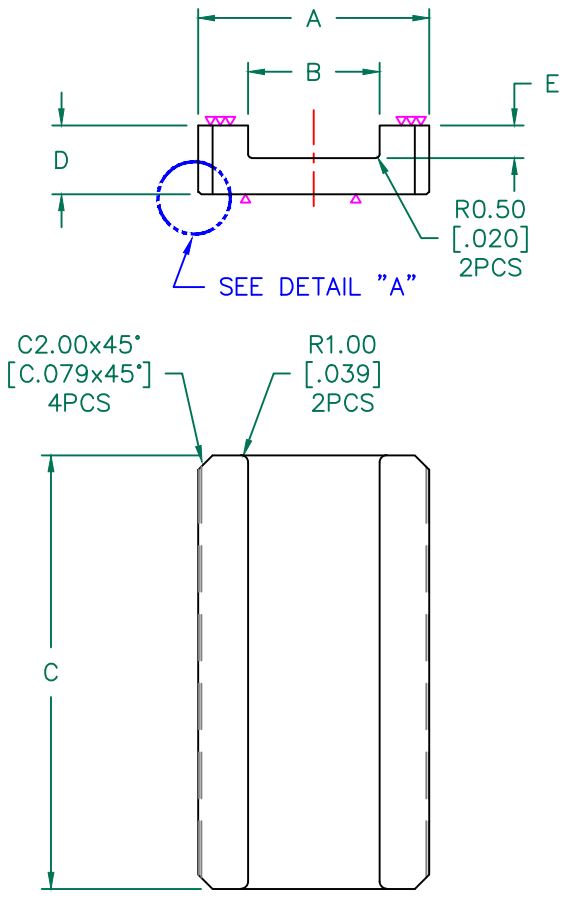


NET IMPEDANCE ( Z )					
Frequency	0.5 MHz	1 MHz	5 MHz	10 MHz	25 MHz
Nominal (REF)	63 Ω	123 Ω	84 Ω	60 Ω	50 Ω
Minimum	46 Ω	92 Ω	63 Ω	45 Ω	38 Ω



FERRITE CORE DIMENSIONS (SPEC): mm [in]

A	32.00 [1.260]	+	0.60 [.024]
B	18.20 [.717]	+	0.40 [.016]
C	60.00 [2.362]	+	1.00 [.039]
D	9.50 [.374]	+	0.20 [.008]
E	4.50 [.177]	+	0.25 [.010]

WEIGHT/1000 64.00 kgs [141.11 Lbs]

NOTES: UNLESS OTHERWISE SPECIFIED

1. COSMETIC SPECIFICATION REFER TO WI-QA-038.
2. THE CONTACT SURFACE NEED TO BE POLISHED.



DIMENSIONS ARE IN mm[INCHES].				This print is the property of Laird Tech. and is loaned in confidence subject to return upon request and with the understanding that no copies shall be made without the written consent of Laird Tech. All rights to design or invention are reserved.		Laird	
PROJECT/PART NUMBER:				REV	PART TYPE:	DRAWN BY:	
35U1260-220				A	CNZ CORE	Jcai	
DATE:			SCALE:	MATERIAL:			
09/15/17			1 : 1	Ferrite			
REV	DESCRIPTION	DATE	INT	CAD #	TOOL #		
A	ORIGINAL DRAFT	09/15/17	Jcai	35U1260-220-A	U1260		