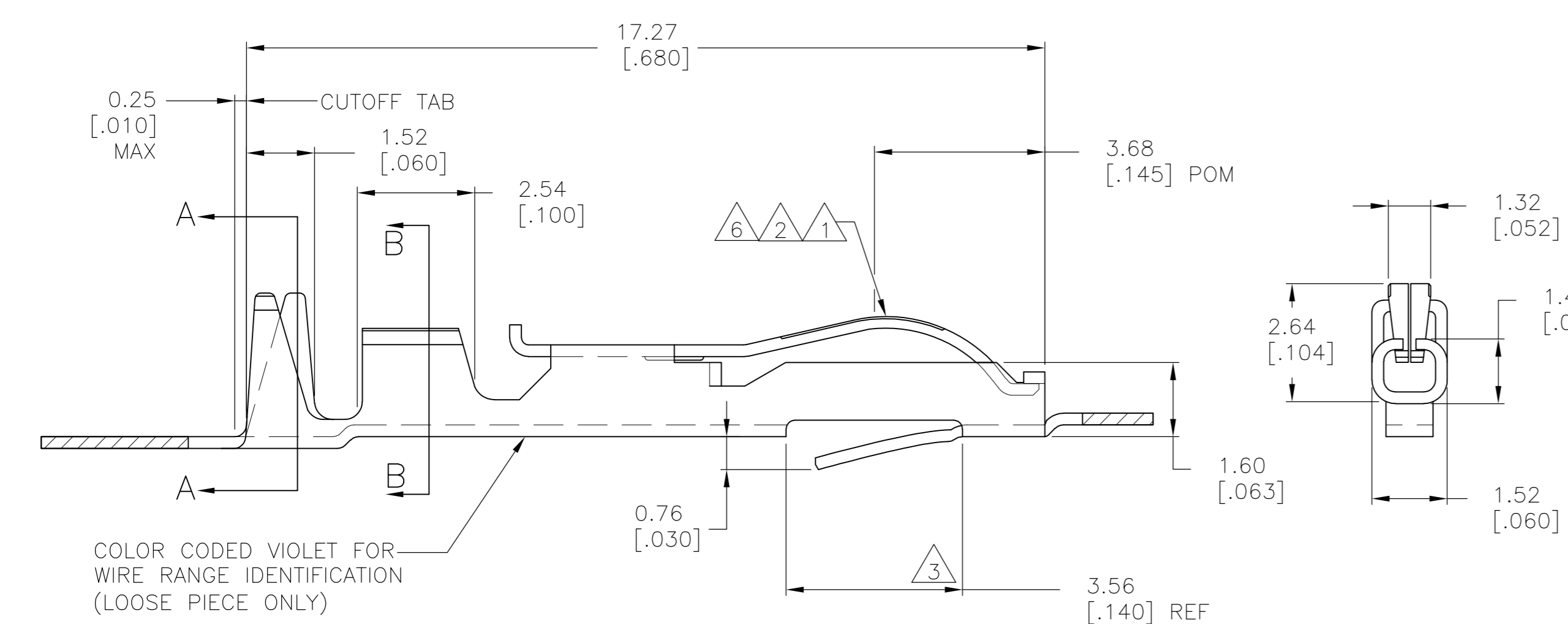
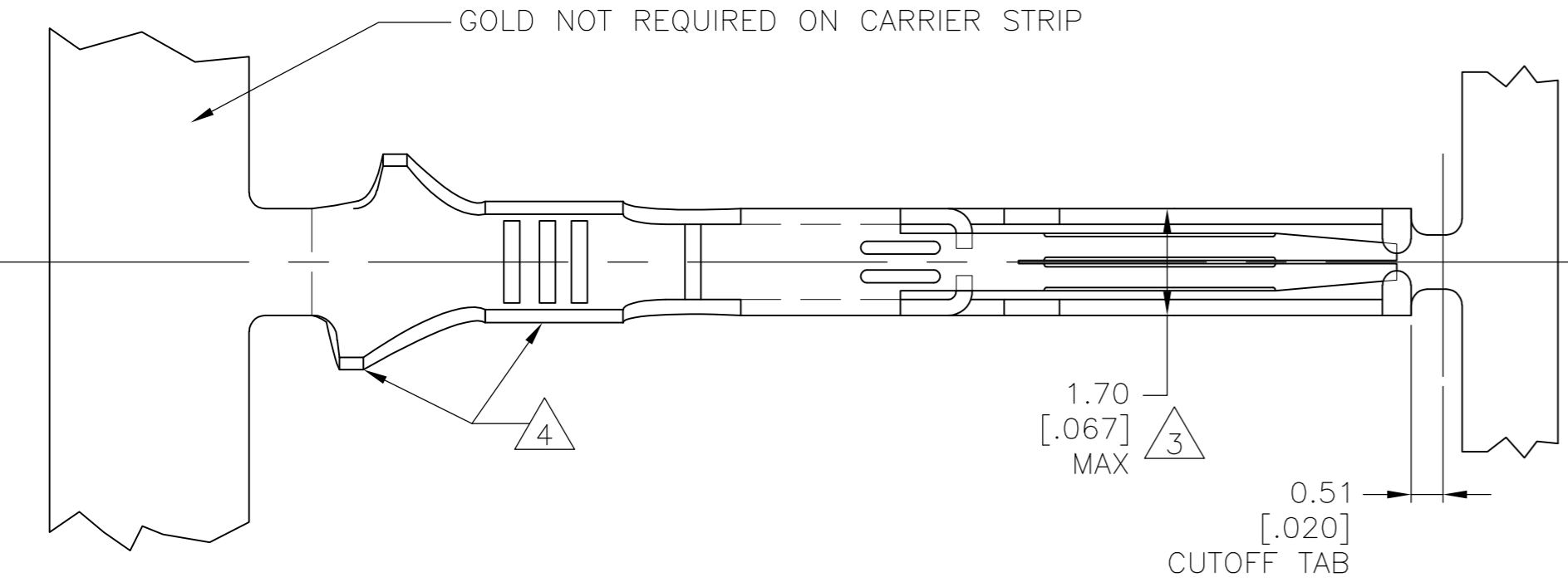
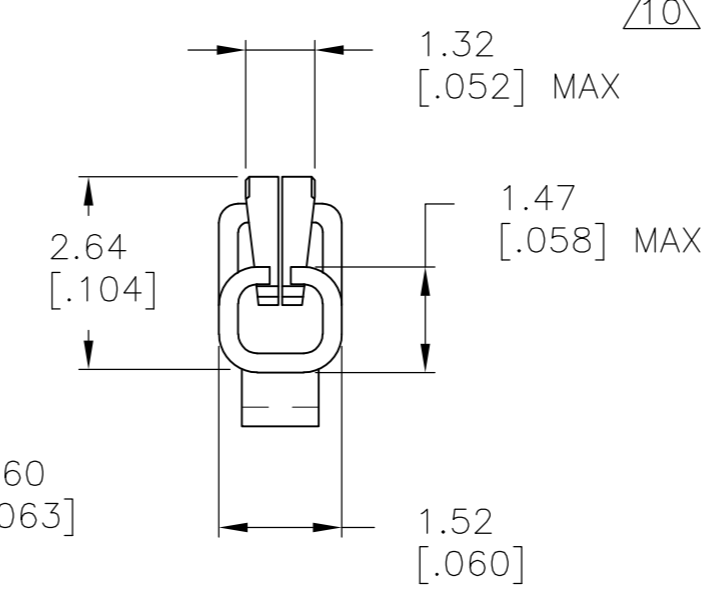
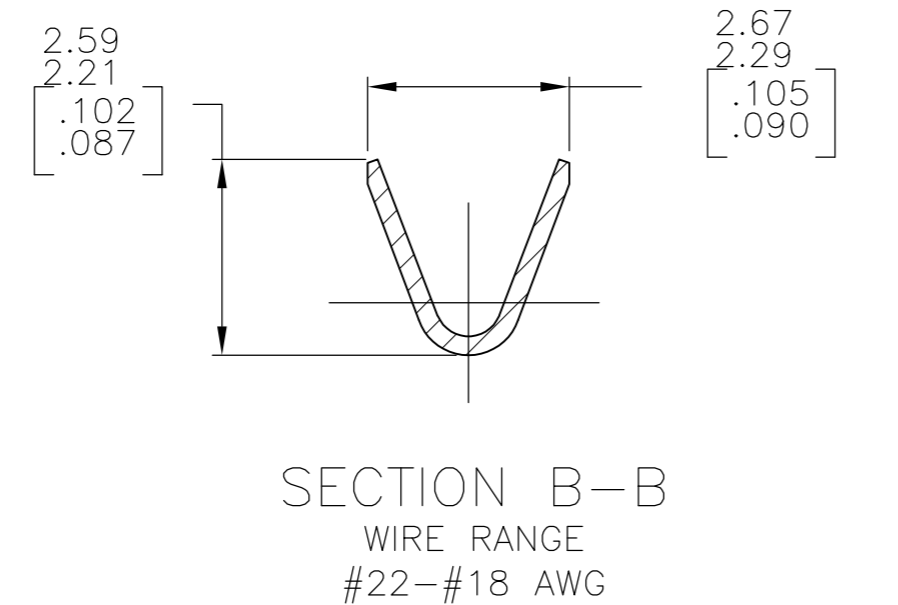
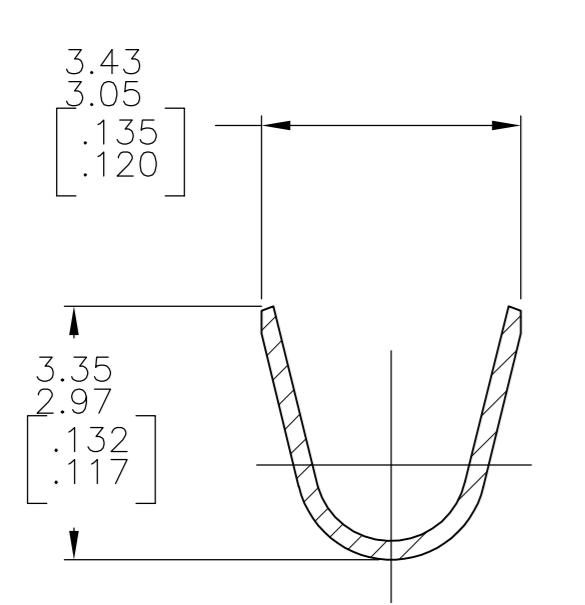


THIS DRAWING IS UNPUBLISHED. RELEASED FOR PUBLICATION  
 © COPYRIGHT BY TYCO ELECTRONICS CORPORATION. ALL RIGHTS RESERVED.

LOC		DIST		REVISIONS			
P	LTR	DESCRIPTION	DATE	DWN	APVD		
	Z	REV PER 0G3C-0515-04	05JAN05	JR	MM		
	Z1	REVISED PER ECO-09-024927	06NOV09	KK	AEG		



COLOR CODED VIOLET FOR WIRE RANGE IDENTIFICATION (LOOSE PIECE ONLY)



- 1 .000030 GOLD OVER .000030 NICKEL IN CONTACT AREA.
- 2 .000015 GOLD OVER .000030 NICKEL IN CONTACT AREA.
- 3 .067 MAX ALLOWED IN LOCKING POSITION AREA FOR .140 REF LENGTH.
- 4 TIN-LEAD IN CRIMP AREA.
- 5 OBSOLETE
- 6 .000050 GOLD OVER .000050 NICKEL IN CONTACT AREA. REMAINDER OF CONTACT GOLD FLASH OVER NICKEL.
- 7 CRIMP TWIN LEAF CONTACTS WITH 22-18 AWG WIRE RANGE TO BE USED ONLY WITH .125CL & .156CL CRIMP TWIN LEAF HOUSINGS.
- 8 UNPLATED PARTS IN STRIP FORM REELED ON CORRUGATED REEL FOR SALABLE PART.
- 9 TIN IN CRIMP AREA.
- 10 OBSOLETE PARTS: OBSOLETE CIS STREAMLINING PER D.RENAUD/D.SINISI

OBSOLETE	5-583649-3	<del>583649-8</del>	1 9	10 5-583649-6
	5-583649-2	<del>583649-9</del>	2 9	10 5-583649-5
OBSOLETE	1-583649-1	-	8	-
	583649-4	<del>1-583649-0</del>	6	10 583649-7
OBSOLETE	583649-3	<del>583649-8</del>	1 4	583649-6
OBSOLETE	583649-2	<del>583649-9</del>	2 4	10 583649-5
	STRIP PART # STD REELING LEFT TO RIGHT	STRIP PART # REELING RIGHT TO LEFT	FINISH	LOOSE PIECE

THIS DRAWING IS A CONTROLLED DOCUMENT.

DWN: A. STAUB BG 02AUG93  
 CHK: H ROSE 18FEB94  
 APVD: H ROSE 18FEB94

Tyco Electronics  
 Tyco Electronics Corporation  
 Harrisburg, PA 17105-3608

NAME: CONTACT-TWIN LEAF (CRIMP-SNAP)

SIZE: A2 CAGE CODE: 00779 DRAWING NO: 583649 RESTRICTED TO: -

MATERIAL: PHOS BRONZE FINISH: SEE TABLE WEIGHT: - SCALE: 10:1 SHEET: 1 of 1 REV: Z1

PRODUCT SPEC: - APPLICATION SPEC: -

TOLERANCES UNLESS OTHERWISE SPECIFIED:  
 0 PLC ± -  
 1 PLC ± -  
 2 PLC ± -  
 3 PLC ± .005  
 4 PLC ± -  
 ANGLES ± -

CUSTOMER DRAWING

583649

A