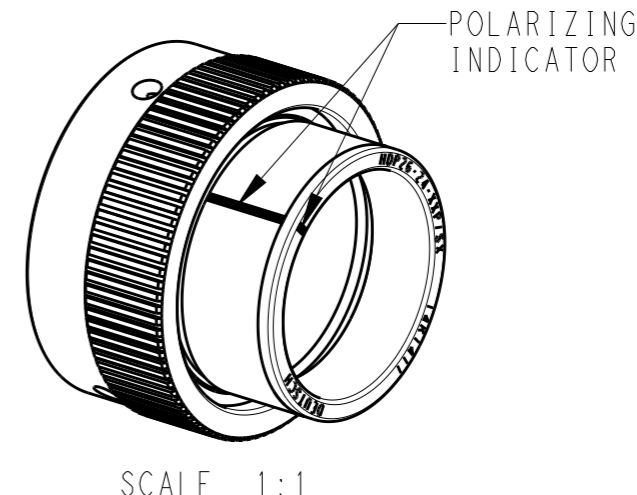


LOC	DIST	REVISIONS			
P	LTR	DESCRIPTION	DATE	DWN	APVD
		NC	NEW RELEASE PER E.O. P16572	07MAR2000	SB RDR
		A	REVISED PER E.O. P16875	29SEP2000	SB RDR
		B	REVISED PER E.O. P18119	15APR2003	AR RDR
		C	REVISED PER ECO-14-019072	23FEB2015	JA DM



- △5 NOTED DIMENSION DOES NOT INCLUDE GROMMET PROTRUSION.
- △4 MATERIAL: PLUG HOUSING/COUPLING RING: PA66 GF10 (BLACK)
RETAINER RING: PA66 GF10 (GREEN, GRAY, BLUE)
GROMMET: SILICONE (ORANGE-RED)
- △3 SEE 0425-021-0000 APPLICATION SPECIFICATION
A. RECOMMENDED WIRE INSULATION RANGE
B. CONTACT REMOVAL TOOLS
- 2. THIS PLUG MATES WITH HDP24-24XXP/SX-XXXX RECEPTACLE
X = SEAL TYPE (N,T,E)
XX = INSERT ARRANGEMENT
XXXX = MODIFICATION
- △1 SEE CUSTOMER DRAWING 0425-014-2400 FOR AVAILABLE INSERT ARRANGEMENTS AND PART NUMBERS.

NOTES:

THIS DRAWING IS A CONTROLLED DOCUMENT.		DWN	06MAR2000	STE TE Connectivity																			
		CHK	11APR2003																				
		APVD	11APR2003																				
		NAME	STEVE BEARD																				
DIMENSIONS: INCHES [mm]		PRODUCT SPEC	0425-021-0000	NAME PLUG, COUPLING RING SIZE 24 HDP SERIES																			
TOLERANCES UNLESS OTHERWISE SPECIFIED:		APPLICATION SPEC	△3																				
<table border="0"> <tr><td>0 PLC</td><td>±</td></tr> <tr><td>1 PLC</td><td>±</td></tr> <tr><td>2 PLC</td><td>±</td></tr> <tr><td>3 PLC</td><td>±.015 [0.38]</td></tr> <tr><td>4 PLC</td><td>±</td></tr> <tr><td>ANGLES</td><td>± ±0°30'0"</td></tr> </table>		0 PLC	±	1 PLC	±	2 PLC	±	3 PLC	±.015 [0.38]	4 PLC	±	ANGLES	± ±0°30'0"	WEIGHT		SIZE	A3	CAGE CODE	4AFU8	DRAWING NO	©HDP26-24-XXP/SX	RESTRICTED TO	-
0 PLC	±																						
1 PLC	±																						
2 PLC	±																						
3 PLC	±.015 [0.38]																						
4 PLC	±																						
ANGLES	± ±0°30'0"																						
MATERIAL		FINISH	N/A	SCALE		SHEET		OF		REV													
△4				2:1		1		1		C													