

4

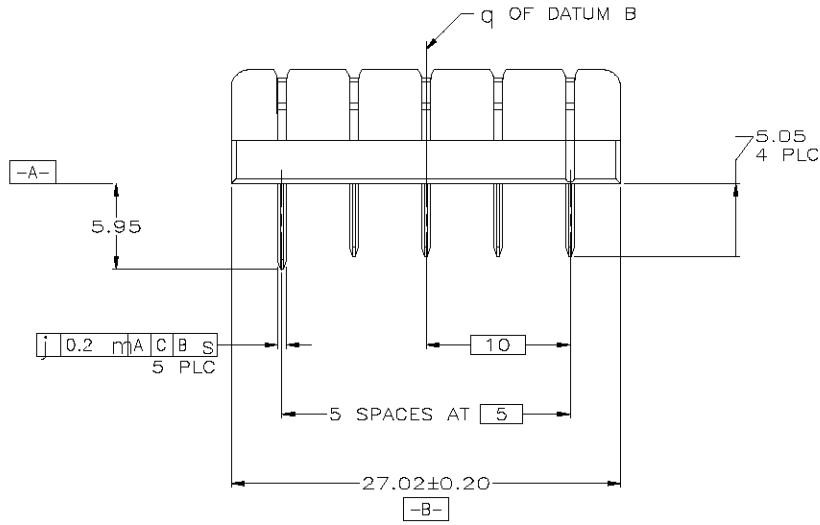
3

2

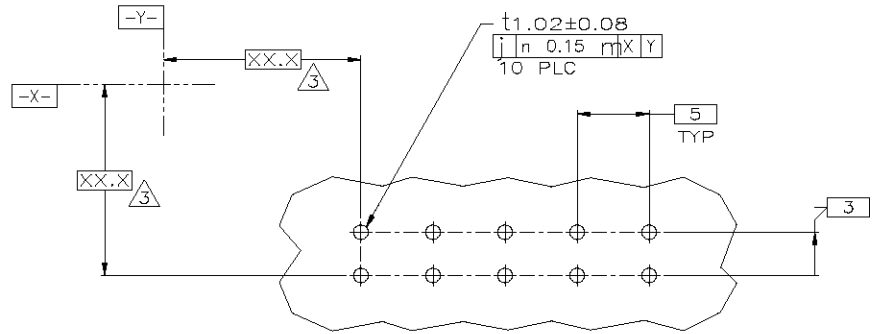
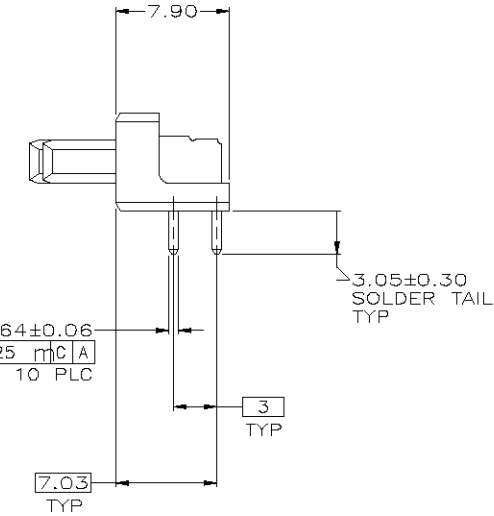
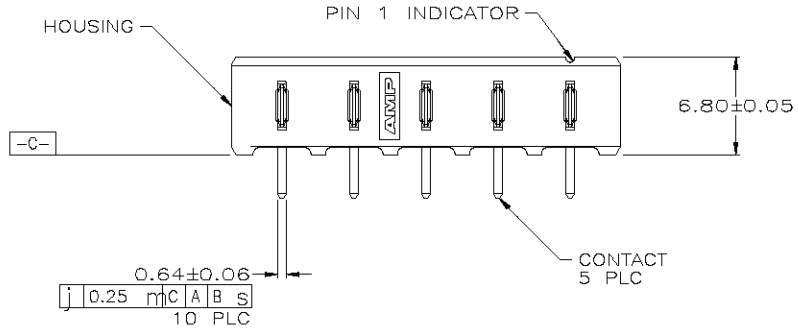
1

THIS DRAWING IS UNPUBLISHED. RELEASED FOR PUBLICATION. BY AMP INCORPORATED. ALL RIGHTS RESERVED.

LOC		DIST		REVISIONS			
P	LTR	DESCRIPTION	DATE	DWN	APD		
0		RELEASED ECO-05-001391	18APRO3	W.K	I.E		



- ⚠ HOUSING: LCP, BLACK.
CONTACTS: BRASS.
- ⚠ CONTACTS: 2.54| m MIN TIN ON SOLDER TAIL OVER
1.90| m MIN NICKEL ALL OVER.
- ⚠ DATUMS AND BASIC DIMENSIONS TO BE ESTABLISHED BY CUSTOMER.



RECOMMENDED MOUNTING HOLE PATTERN

5796078

5796078-1

PART NUMBER

THIS DRAWING IS A CONTROLLED DOCUMENT.		DWN WENKE HE 18APRO3	AMP Incorporated	
DIMENSIONS: mm		CHK STEVEN YAO 18APRO3	Harrisburg, PA 17105-3608	
TOLERANCES UNLESS OTHERWISE SPECIFIED:		AP'D JENOMOTO 18APRO3	NAME HEADER ASSEMBLY, RIGHT ANGLE, KEYLESS, 5 POSITION, SEQUENCING, BATTERY INTERCONNECT	
0 PLC # -	1 PLC # -	PRODUCT SPEC	SIZE	CAGE CODE
2 PLC # 0.13	3 PLC # -	APPLICATION SPEC	A200779	DRAWING NO
4 PLC # -	ANGLES # -	WEIGHT	C= 5796078	RESTRICTED TO
MATERIAL ⚠	FINISH ⚠	CUSTOMER DRAWING	SCALE 4:1	SHEET 1 OF 1
			REV 0	