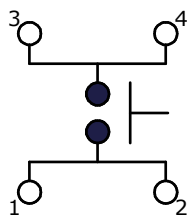
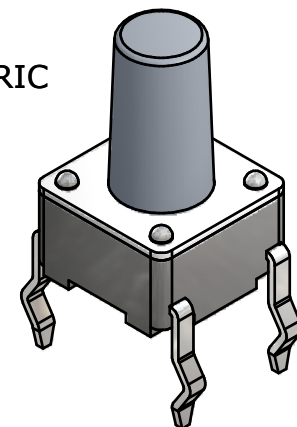


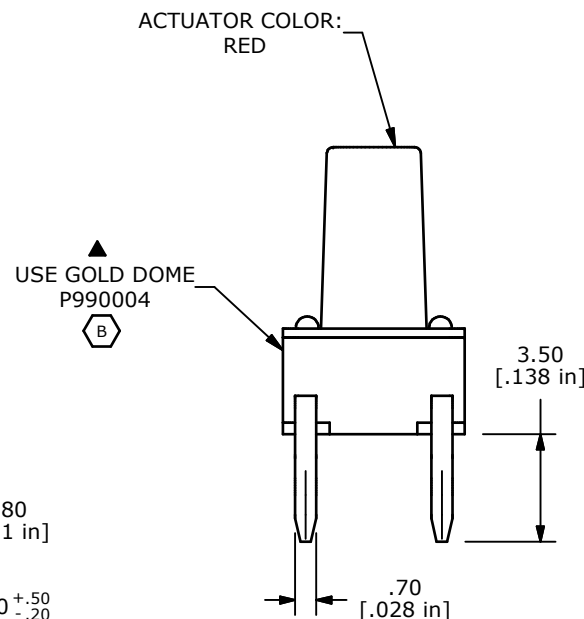
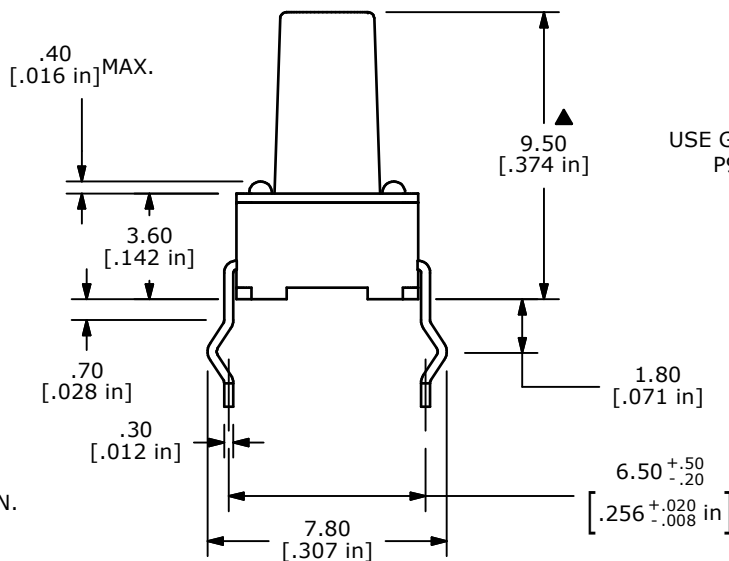
ISOMETRIC



CIRCUIT: SPST

NOTES:

1. ALL DIMENSIONS IN MM [INCH]
2. TERMINAL NUMBERS FOR REF. ONLY
3. TOLERANCE: X.X±0.4  
X.XX±0.25
4. RATING: 50mA @ 12VDC
5. TRAVEL: 0.25 +0.2/-0.1
- ▲ 6. OPERATING FORCE: 250 ± 50gF
7. ELECTRICAL LIFE: 100,000 CYCLES MIN.
8. CONTACT RESISTANCE: 100mΩ MAX.
9. CONTACT MATERIAL: GOLD
10. ▲ DENOTES CRITICAL PARAMETER
11. 2002/95/EC (ROHS) COMPLIANT



E-SWITCH®



B	18714	CHANGE DOME # (WAS P990005 - 160gf)	11/17/09	BLR
A	18689	Released For Production	10/23/09	BLR
REV	PCR NO	DESCRIPTION	DATE	BY

TITLE TL1105BF250R				
SCALE	DATE	DR	DWG	REV
4:1	11/17/2009	BLR	P010050	B

THE INFORMATION CONTAINED IN THIS DOCUMENT IS PROPRIETARY TO E-SWITCH AND IS NOT TO BE COPIED OR TRANSFERRED