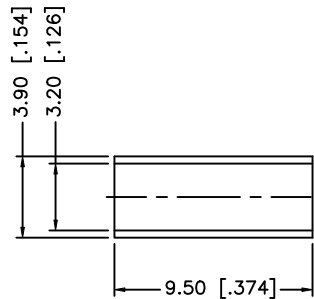
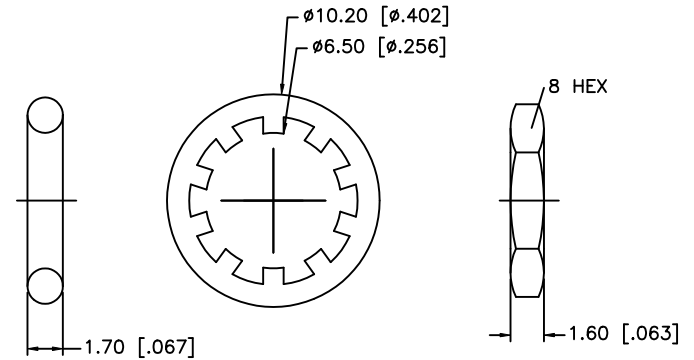
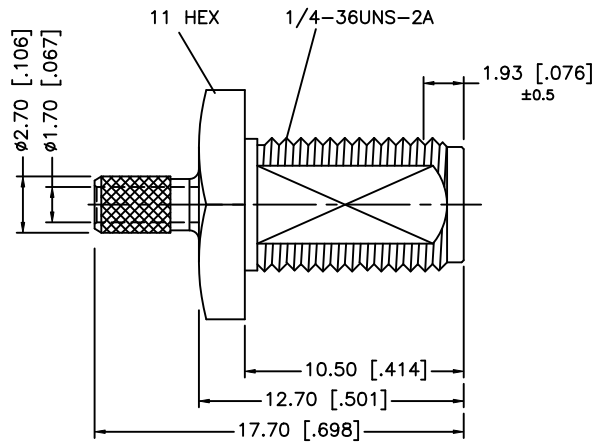
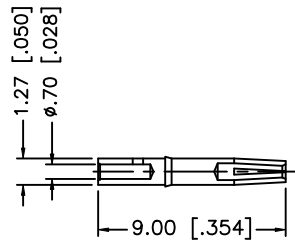
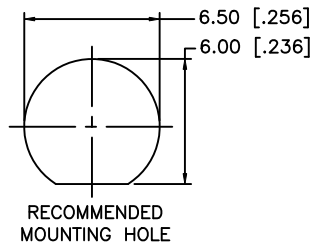
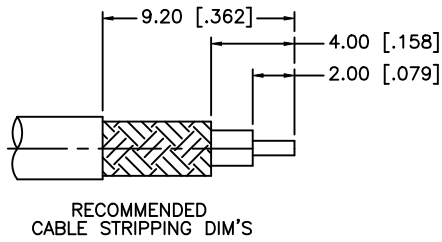


REV.	DATE	ECR NO.	DESCRIPTION
A	01/30/04	-	UPDATE DRAWING FORMAT
B	10/05/04	-	MODIFY BODY HEX ORIENTATION
C	08/29/08	-	REVISE BARREL O.D./ REVISE FERRULE I.D. AND O.D.



NOTE:

1. CRIMPED FERRULE HEX CRIMP SIZE .128" [3.25]
2. CONTACT PIN TO SOLDER

DESCRIPTION	MATERIAL	FINISH	QTY	DO NOT SCALE DRAWING	APPROVALS	DATE	Amphenol Connex							
8					DRAWN	GRS	08/29/08	PART DESCRIPTION SMA BULKHEAD CRIMP JACK O-RING SEAL (FOR RG-174/U, 188A/U, 316/U CABLE)						
7	FERRULE	COPPER	GOLD	1	CHECKED									
6	HEX NUT	BRASS	GOLD	1	ISSUED			PART NO. 132284						
5	LOCK WASHER	BRASS	GOLD	1	SHEET	1 OF 1								
4	GASKET	SILICONE	RED	1	CAD FILE	C:/132/132284.DWG	DWG. NO.	132284.DWG	REV.	C	SIZE	A	SCALE	NA
3	CONTACT PIN	BER. COPPER	GOLD	1	UNLESS OTHERWISE SPECIFIED DIMENSIONS ARE IN MILLIMETERS. DIMENSIONS IN [] ARE IN INCHES AND FOR CUSTOMER REFERENCE ONLY. UNLESS OTHERWISE SPECIFIED TOLERANCES FOR MILLIMETERS ARE: 0.5 - 8mm ± 0.20mm 8 - 30mm ± 0.40mm 30 - 120mm ± 0.50mm UNLESS OTHERWISE SPECIFIED TOLERANCES FOR INCHES ARE: .020 - .315 = ± 0.007" .315 - 1.180 = ± 0.015" 1.180 - 4.724 = ± 0.020"									
2	INSULATOR	PTFE	NATURAL	1										
1	BODY	BRASS	GOLD	1										