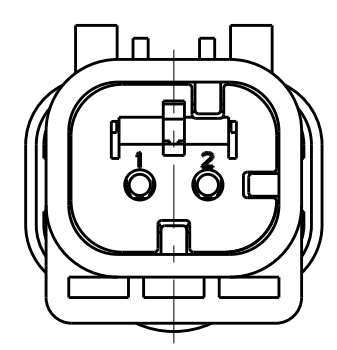
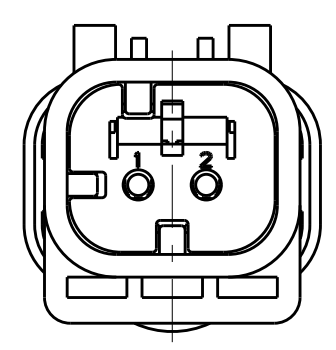


THIS DRAWING IS UNPUBLISHED
 RELEASED FOR PUBLICATION
 © COPYRIGHT 2003 BY TYCO ELECTRONICS CORPORATION ALL RIGHTS RESERVED.

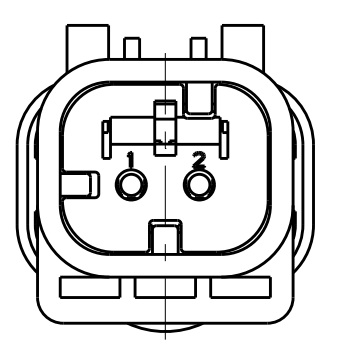
REVISIONS				
P	LTR	DESCRIPTION	DATE	APVD
B	I	REVISED PER ECR-10-019377	30SEP2010	HMR TM
C		REVISED PER ECR-14-000206	26DEC2013	PV RB



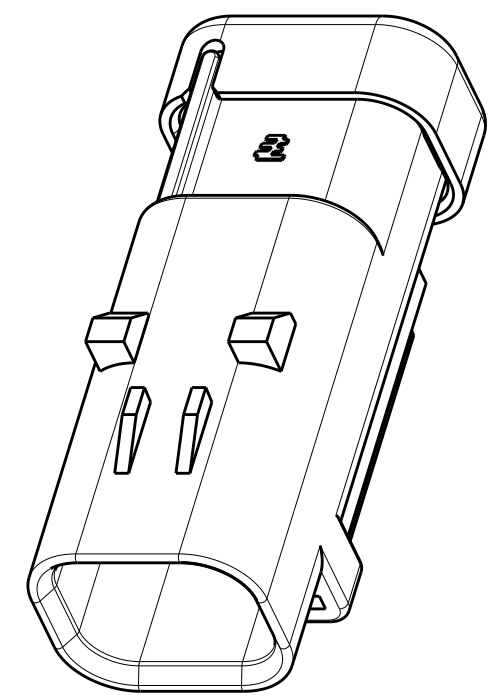
1717672-2
SCALE 2:1



1717672-3
SCALE 2:1

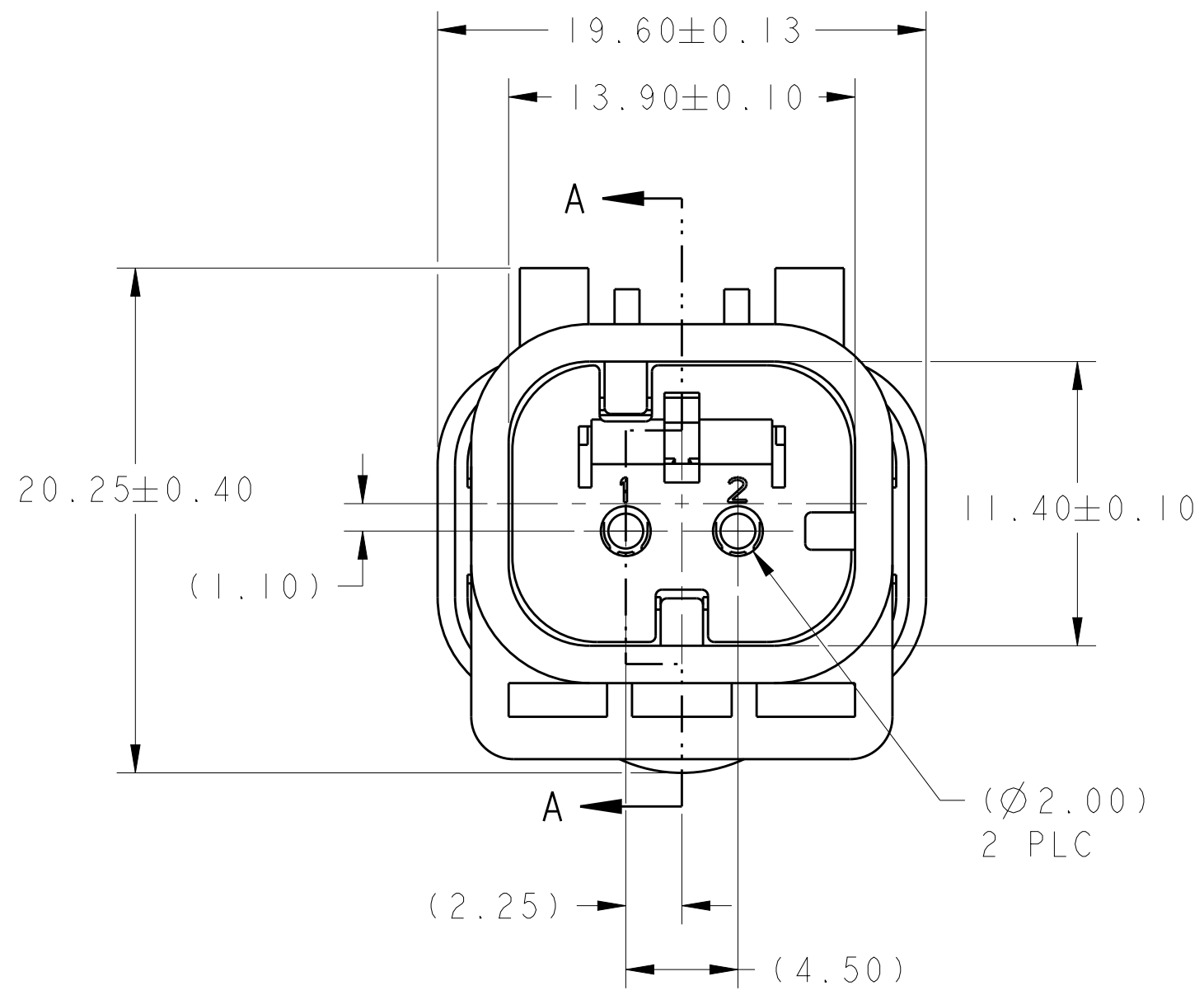


1717672-4
SCALE 2:1

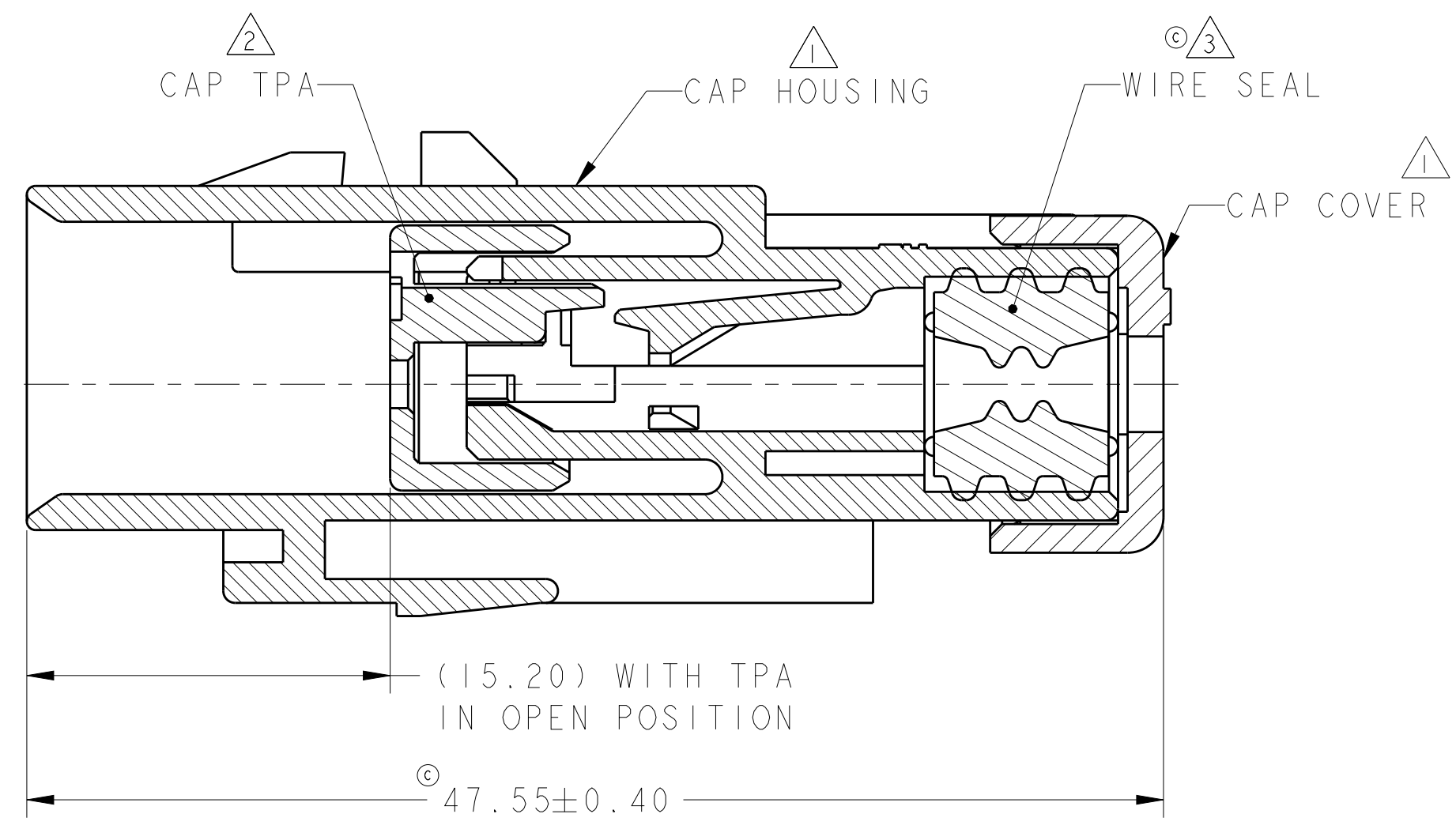


SCALE 2:1

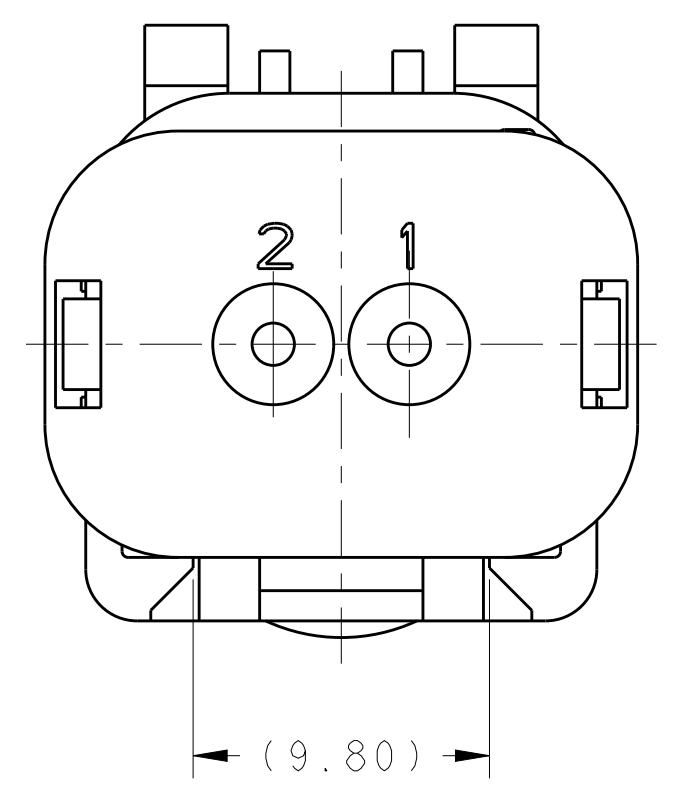
- ① MATERIAL: 15% GLASS FILLED THERMOPLASTIC
COLOR: BLACK
 - ② MATERIAL: 15% GLASS FILLED THERMOPLASTIC
COLOR: (SEE TABLE)
 - ③ MATERIAL: SILICONE
COLOR: MARINE BLUE
4. WIRE INSULATION RANGE: $\varnothing 2.24 \sim \varnothing 3.94$



1717672-1 SHOWN



A-A
OPEN POSITION



GREEN	1717672-4
YELLOW	1717672-3
GRAY	1717672-2
RED	1717672-1
TPA COLOR	PART NUMBER

THIS DRAWING IS A CONTROLLED DOCUMENT.		DWN Y. KATO 15JAN2004	TE Connectivity	
DIMENSIONS: mm		CHK S. MANABE 15JAN2004		
TOLERANCES UNLESS OTHERWISE SPECIFIED:		APVD S. MANABE 15JAN2004	NAME CAP ASSY, 2 POS. BRACKET REVERSE TYPE AMPSEAL 16	
0 PLC ± 1 PLC ± 2 PLC ± 3 PLC ± 4 PLC ± ANGLES ± FINISH -		PRODUCT SPEC 108-2184	SIZE A2	CAGE CODE -
MATERIAL -		APPLICATION SPEC 114-13065	DRAWING NO C-1717672	RESTRICTED TO -
		WEIGHT -	SCALE 4:1	SHEET OF
		Customer Drawing	REV C	