

Technical specification :

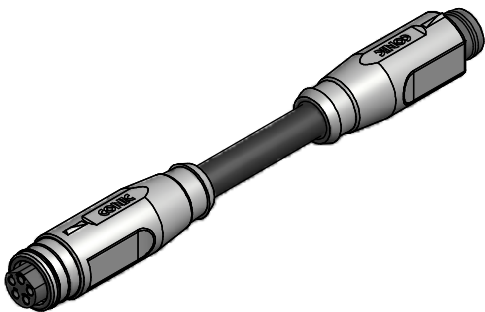
Rated voltage: IEC 61076-2-104	30 V
Current rating: IEC 61076-2-104	3 A at 40°C
Insulation resistance: IEC 60512	≥100 MΩ
Pollution degree: IEC 60664-1	3/2
Degree of protection: IEC 60529	IP 67, in mated condition
Temperature range: IEC 60664-1	-30°C ... +80°C
Mating cycles: IEC 60512-9a	≥100

Materials:

Contact:	CuZn
Contact plating:	Nickel, gold plated
Contact carrier:	TPU GF, UL 94
Moulding body:	TPU, UL 94, grey

Contact assignment:

- 1) brown
- 2) white
- 3) blue
- 4) black
- 5) grey



Part no:	Description:	Length L:	Cable:
42-11132	SAL - 8B - RKS5.1 - RSS5.1 - 0,3 / K1	0,3m	TPU, UL 20549, black, 5x0,25mm ² Cable: 781-K12500
42-11133	SAL - 8B - RKS5.1 - RSS5.1 - 0,6 / K1	0,6m	
42-11134	SAL - 8B - RKS5.1 - RSS5.1 - 1,5 / K1	1,5m	
42-11135	SAL - 8B - RKS5.1 - RSS5.1 - 3 / K1	3m	
42-xxxxx	SAL - 8B - RKS5.1 - RSS5.1 - ... / K1	x	

D see data sheet cable

DO NOT ALTER CAD DRAWING BY HAND Directive 2002/95/EC RoHS compliant	Index:a 23.08.11 BCB Ä3941 data modified	dim. in mm <table border="1"> <tr> <td></td> <td>date</td> <td>name</td> </tr> <tr> <td>drawn</td> <td>03.09.10</td> <td>Fromm</td> </tr> <tr> <td>appd.</td> <td>03.09.10</td> <td>Mankopf</td> </tr> </table>		date	name	drawn	03.09.10	Fromm	appd.	03.09.10	Mankopf	title: Connecting cable ø8, female connector axial - male connector axial, snap, B-coding
			date	name								
	drawn	03.09.10	Fromm									
	appd.	03.09.10	Mankopf									
tolerance of cable: L ≤ 4m: L + 40mm L > 4m: L + 1%	dwg no: 42K1A249											
THIS DRAWING MAY NOT BE COPIED OR REPRODUCED IN ANY WAY, AND MAY NOT BE PASSED ON TO A THIRD PARTY WITHOUT WRITTEN PERMISSION. OWNERSHIP AND COPYRIGHT OF CONEC GmbH		part no: see table										