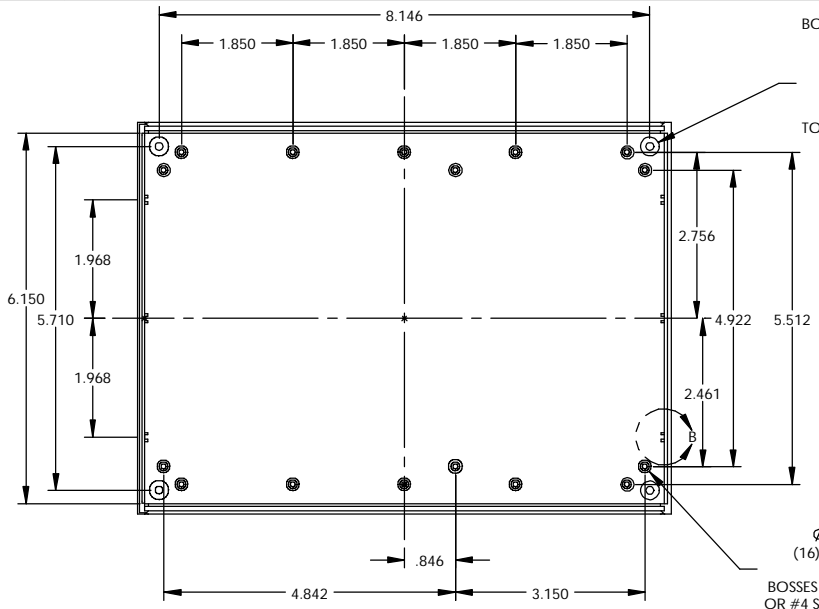


PART NAME

PLASTIC INSTRUMENT CASE

PART No.

IP-6130 & IP-6131

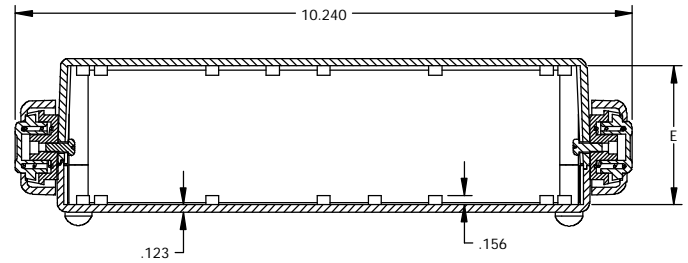
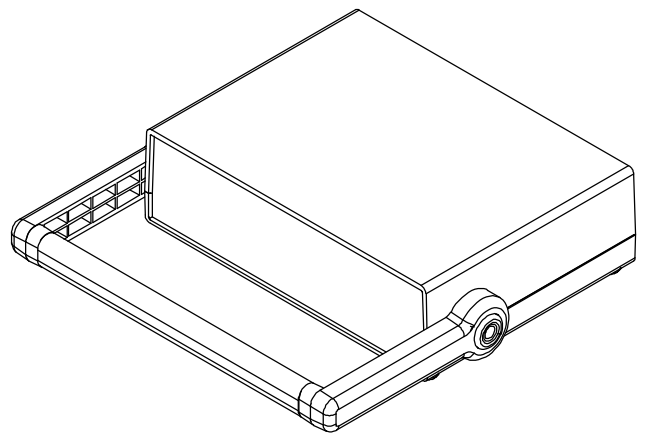


BOTTOM COVER:
 \varnothing .248 ∇ .050
 92° C-SINK ∇ .665 (FROM INNER BOSS SURFACE)
 \varnothing .132 THRU
 (FAR SIDE 4 PLCS.)

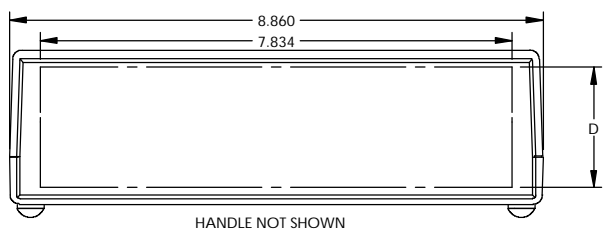
TOP COVER:
 M3 BRASS INSERT (4 PLCS.)

\varnothing .218 BOSS
 \varnothing .090 HOLE ∇ .218
 (16) PLCS. BOTH COVERS

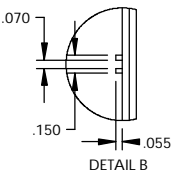
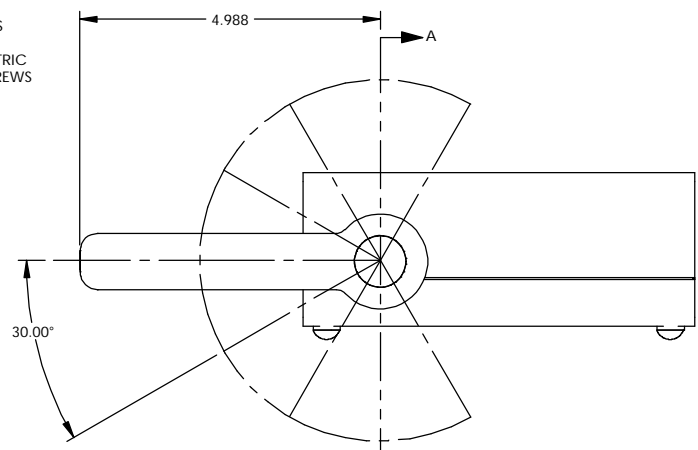
BOSSSES USE EITHER M2.5 METRIC
 OR #4 STD. SHEET METAL SCREWS
 (NOT SUPPLIED)



SECTION A-A



HANDLE NOT SHOWN



NOTES:
MATERIALS & FINISHES:
 COVERS - ABS (LIGHT GREY)
 UL94-HB FLAMMABILITY RATING
 PANELS - ABS (BLACK)
 UL94-HB FLAMMABILITY RATING
 HANDLE SUPPORTS - ABS (GREY)
 UL94-HB FLAMMABILITY RATING
 HANDLE - ALUMINUM EXTRUSION (CLEAR ANODIZE)

HARDWARE INCLUDED:
 HANDLE KIT AND (2) M4 x 10mm PAN HEAD MOUNTING SCREWS INCLUDED
 (4) M3 x 25mm FLAT HEAD SCREWS
 (4) RUBBER FEET

ALL DIMENSIONS HAVE \pm .015 TOLERANCE UNLESS OTHERWISE SPECIFIED

| PART No. | TOTAL HEIGHT | COVER HEIGHT | BASE HEIGHT | USABLE PANEL SPACE | INTERNAL CLEARANCE |
|----------|--------------|--------------|-------------|--------------------|--------------------|
| | A | B | C | D | E |
| IP-6130 | 2.570 | 1.770 | .800 | 2.012 | 2.324 |
| IP-6131 | 3.540 | 1.770 | 1.770 | 2.982 | 3.294 |