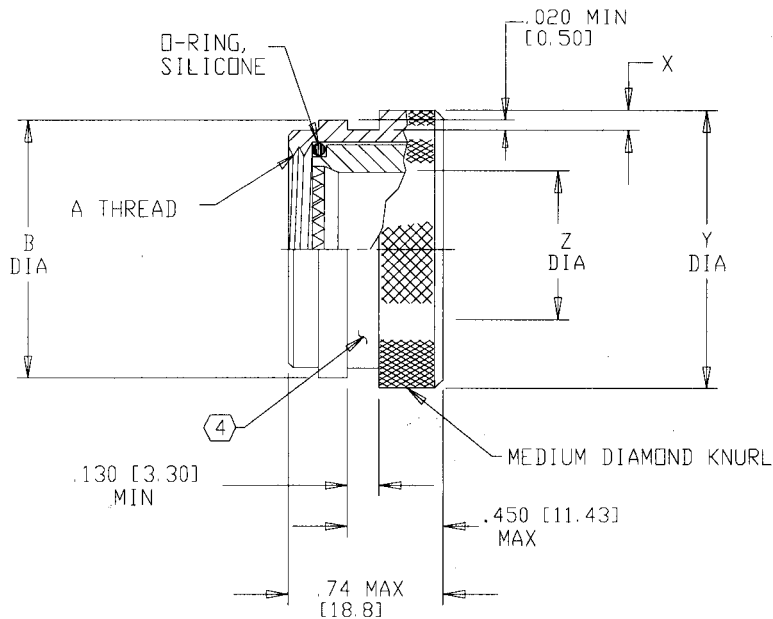


REVISIONS			
LTR	DESCRIPTION	DATE	APPROVED
J	REVISED PER ECN AD93015		



NOTES:

1. THIS PRODUCT IS DESIGNED TO TERMINATE A HEAT SHRINKABLE LIPPED BOOT TO A CONNECTOR.
2. FOR ADDITIONAL DIMENSIONS, ORDERING INFORMATION AND MODIFICATIONS, SEE CH00-0250-004.
3. ADAPTER TO BE PERMANENTLY MARKED WITH CODE IDENT. NO. AND PART NO. (E.G.: 06090-202M112-19B).

④ KNURL INSIDE BOOT GROOVE MAY BE SUPPLIED AT MANUFACTURE'S OPTION.

⑤ ADAPTER MATES TO MIL-C-38999 SERIES I & II, CLASS E & T, MS27466, MS27467, MS27468, MS27472, MS27473, MS27474, MS27479, MS 27480, MS27481, MS27484, MS27497, MS27652, MS27653, MS27656 CONNECTORS.

If this document is printed it becomes uncontrolled. Check for the latest revision

SPECIFICATION CONTROL DRAWING

UNLESS OTHERWISE SPECIFIED DIMENSIONS ARE IN INCHES. METRIC DIMENSIONS ARE IN BRACKETS. DECIMALS .XXX ± [mm] .XX ± [mm] .X ± [mm] ANGLES .X ±	DRAWN R. RAMIREZ	DATE 03-19-93		RAYCHEM CORPORATION 300 CONSTITUTION DRIVE MENLO PARK, CALIFORNIA 94025		
	CHECKED	DATE		TITLE ADAPTER, SOLID CODE 41		
	APPROVED W. C. GAY	DATE 05-19-93				
	APPROVED	DATE				
CAD NAME \ACAD12\202M1XX		SIZE A	CODE IDENT. NO. 06090	DWG. NO. 202M1XX	REV J	
THIRD ANGLE PROJECTION 		DO NOT SCALE THIS DWG			SHEET 1 OF 2	

BASE PART NUMBER	SHELL SIZE (5)		A THREAD CLASS 2B	B DIA MAX	X MIN	Y +.000 -.030 [+0.00] [-0.76] DIA	Z MIN
	SER 1	SER 2					
202M108	9	8	.438-28 UNEF	.70 [17.8]	.044 [1.12]	.719 [18.26]	.264 [6.71]
202M110	11	10	.562-24 UNEF	.82 [20.8]	↑	.844 [21.44]	.392 [9.96]
202M112	13	12	.688-24 UNEF	.94 [23.9]	↓	.969 [24.61]	.506 [12.85]
202M114	15	14	.812-20 UNEF	1.07 [27.2]	.044 [1.12]	1.094 [27.79]	.631 [16.03]
202M116	17	16	.938-20 UNEF	1.20 [30.5]	.069 [1.75]	1.281 [32.54]	.756 [19.20]
202M118	19	18	1.062-18 UNEF	1.33 [33.8]	↑	1.406 [35.71]	.844 [21.44]
202M120	21	20	1.188-18 UNEF	1.45 [36.8]	↓	1.531 [38.89]	.970 [24.64]
202M122	23	22	1.312-18 UNEF	1.58 [40.1]	↓	1.656 [42.06]	1.094 [27.79]
202M124	25	24	1.438-18 UNEF	1.70 [43.2]	.069 [1.75]	1.781 [45.24]	1.209 [30.71]

If this document is printed it becomes uncontrolled. Check for the latest revision

SIZE A	CODE IDENT. NO. 06090	DWG. NO. 202M1XX	REV J
DO NOT SCALE THIS DWG		CAD NAME \ACAD12\202M1X-2	SHEET 2 OF 2