

PRODUCT NUMBER  
98414-XXX-XX-XXXLF

PLATING  
S = 0.38µm GOLD/GXT ON CONTACT AREA  
3.81µm TIN LEAD ON TAIL  
G = 0.76µm GOLD/GXT ON CONTACT AREA  
3.81µm TIN LEAD ON TAIL  
F = GOLD FASH ON CONTACT AREA  
3.81µm TIN LEAD ON TAIL

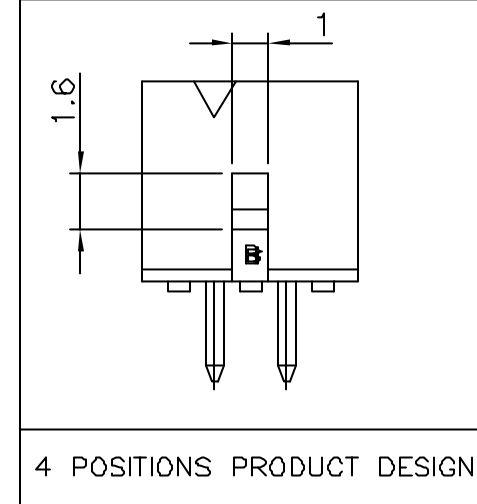
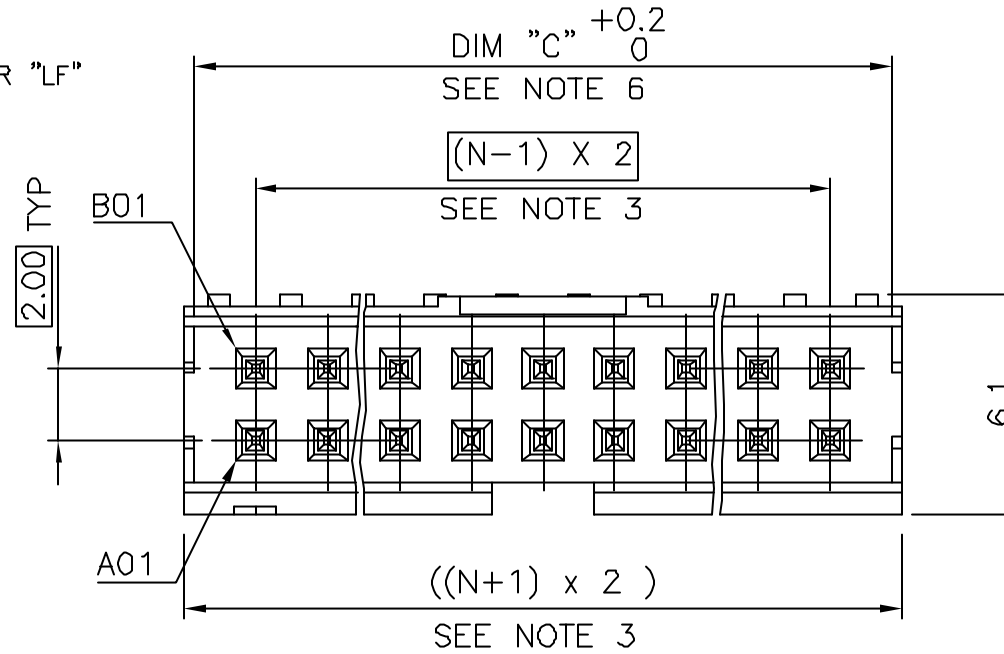
WHEN REQUIRED, ADD SUFFIX LETTER "LF" INDICATES THE PRODUCT IS RoHS COMPATIBLE, SEE NOTE 8

POLARIZATION, SEE NOTE 7

PACKAGING, SEE NOTE 5

TOTAL NB OF POSITIONS, 04 TO 50 POS

PIN STYLE	POST LENGTH	TAIL LENGTH
06	4.00	2.50
08	4.00	3.10



NOTES:

- MATERIAL HOUSING: HIGH TEMP. THERMOPLASTIC UL 94V-0, COLOR CREAM
- MATERIAL TERMINAL: COPPER ALLOY
- TO DETERMINE DIMENSIONS: N = NUMBER OF POSITIONS PER ROW
- 7N MIN. PIN RETENTION IN EITHER DIRECTION.
- PACKAGING:  
= PLASTIC BOX  
- = PLASTIC BOX WHEN POLARISATION FEATURE APPLICABLE  
U = TUBE AVAILABLE FROM 06 TO 50 POS

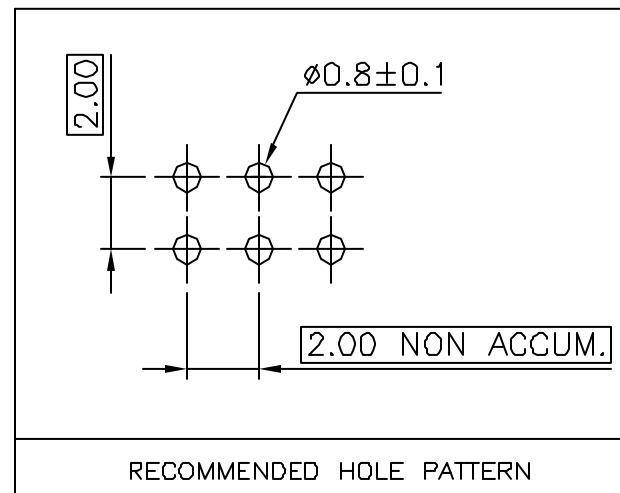
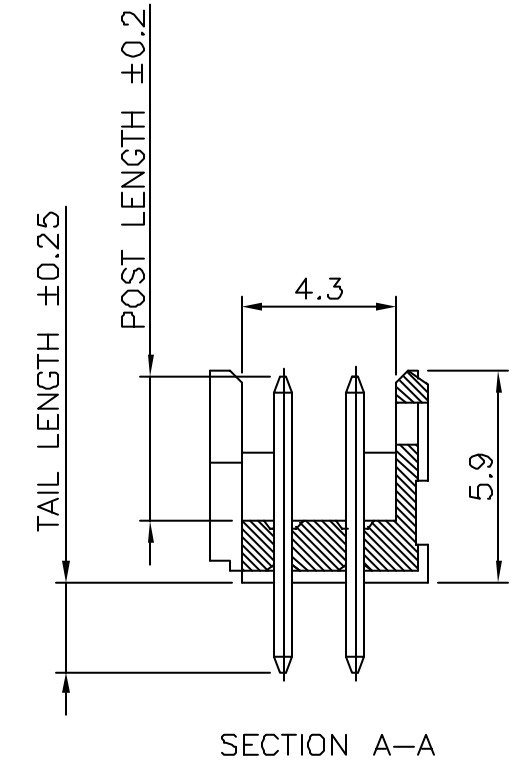
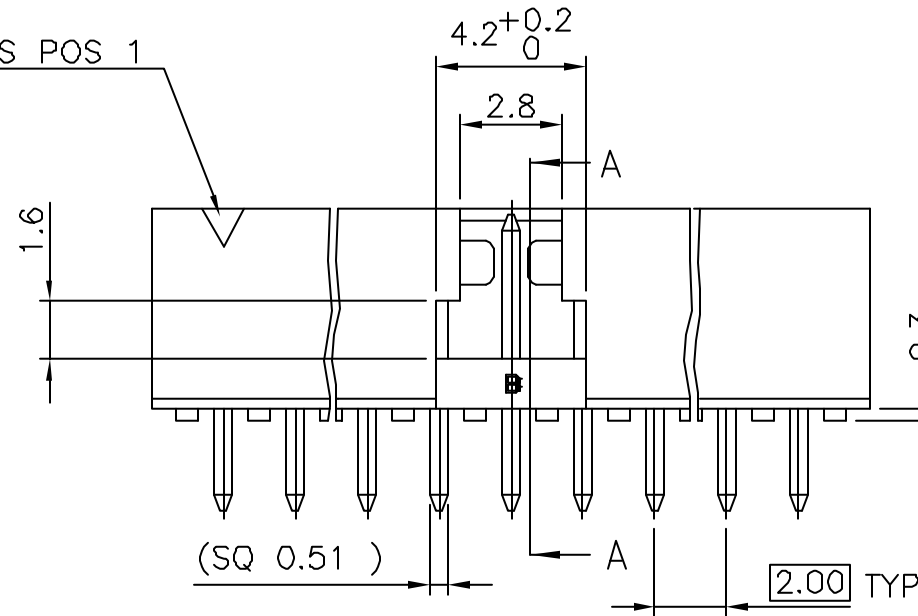
6. DIM "C" = (N x 2) + 1.4  
EXAMPLE: N = 7  
DIM "C" = (7 x 2) + 1.4 = 15.4 mm

7. FOR POLARIZATION, SPECIFIED PIN  
EXAMPLE : A03 = ROW A, POSITION 03 TO OMIT PIN  
OMIT FROM PRODUCT NUMBER IF THIS FEATURE IS NOT APPLICABLE.

8. RoHS COMPATIBLE PRODUCT SPECIFICATIONS

- PLATING:  
- "LF" MEANS THE PRODUCT IS LEAD-FREE, 2µm MINIMUM MATTE TIN OVER 1.27µm MINIMUM NICKEL UNDERPLATE.
- MANUFACTURING PROCESS COMPATIBILITY  
- THE HOUSING WILL WITHSTAND EXPOSURE TO 260°C ±5°C SOLDER BATH TEMPERATURE FOR 5 SECONDS IN A WAVE SOLDER APPLICATION WITH A 1.6mm MIN THICK CIRCUIT BOARD.
- LABELLING:  
- MEETS PACKAGING SPECS AS PER GS-14-920
- THIS PRODUCT MEETS EUROPEAN DIRECTIVES AND OTHER COUNTRY REGULATIONS AS DISCRIBED IN GS-22-008.

INDICATES POS 1



mat'l. code				surface	tolerance	projection	product family
SEE NOTES				ISO 1302	ISO 406	ISO 101	MINITEK
ltr	ecn	na	dr	date	tolerances unless otherwise specified		title
G	F04-0186	LMU		04.05.10	angles	X.X ±0.3	SHR HEADER
H	F04-0351	JCO		05.01.13	Linear	X.XX ±0.13	2.00 VERTICAL TMT
J	F05-0278	LMU		05.10.19		X.XXX ±0.05	scale 1:1
K	F06-0210	LMU	dr	06.07.05	LMULIN	04.09.27	FCJ
L	F08-0113	LMU	engr	08.01.17	J.COMPAGNON	04.09.27	dwg no
M	F08-0145	ELA	chr	15.04.08			sheet 1 of 2
			appd	JM.C	04.09.27		size
sheet index	revision sheet	M	A	1	2		98414
							A3
							type
							CUSTOMER Drawing

1

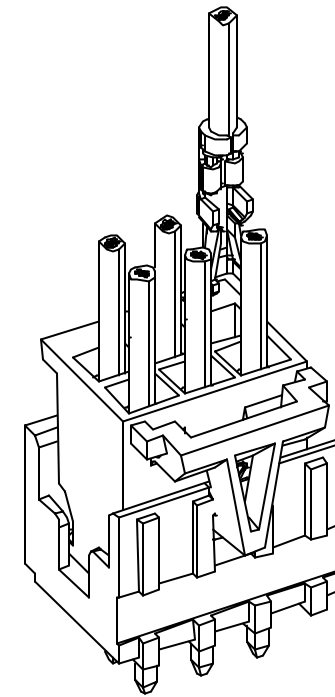
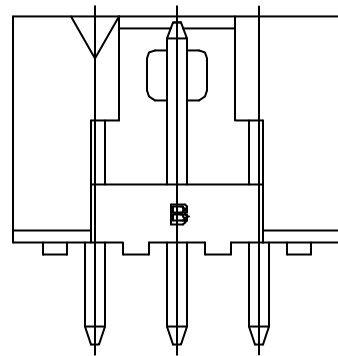
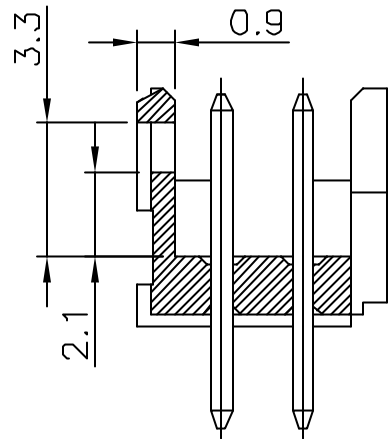
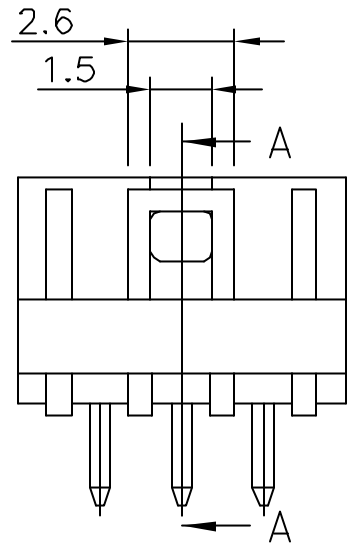
2 3

4

5

6

2x3 POS AND 2x4 POS CONFIGURATION  
NO LATCHING AVAILABLE FOR 2x2 POS

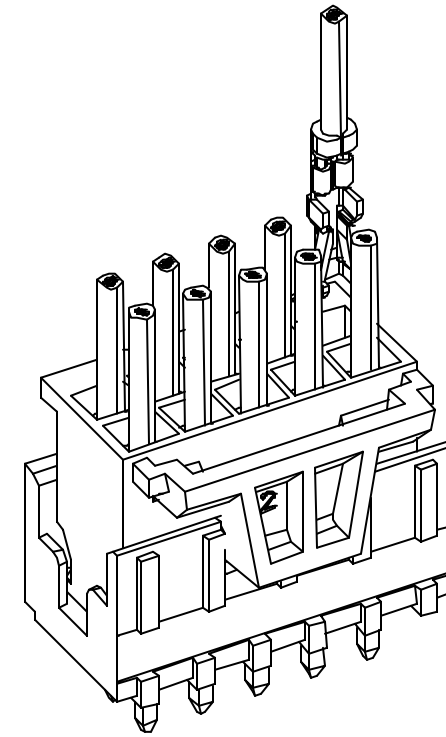
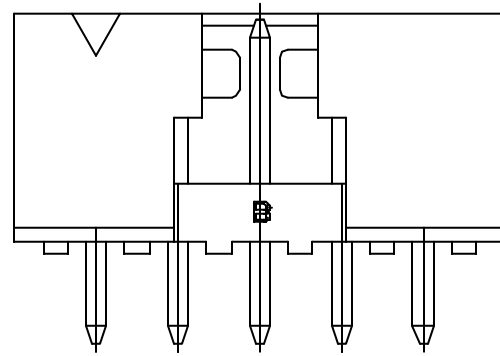
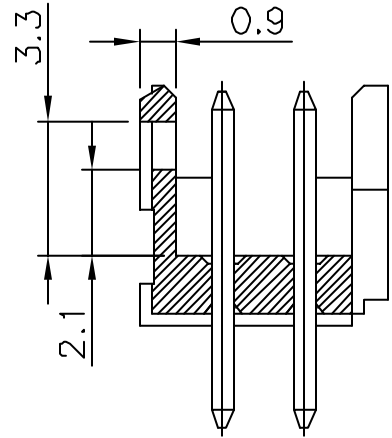
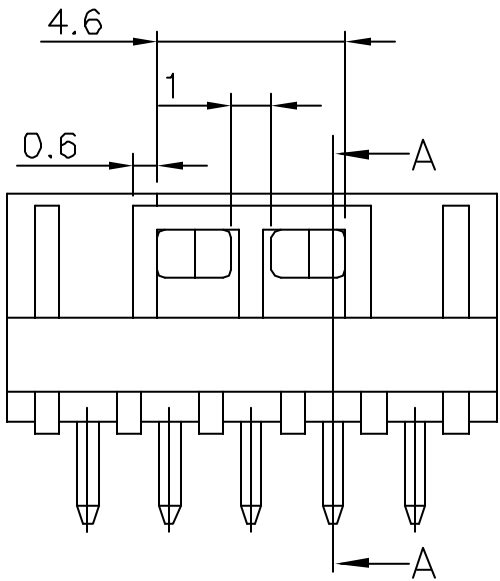


A

A

B

B



C

2x5 POS UP TO 2x25 POS CONFIGURATION

LATCHING FEATURES WHEN USED IN COMBINATION  
WITH ACTIVE LATCH HOUSING 10073599

mat'l. code		surface		tolerance		projection		product family	
SEE NOTES		ISO 1302 ✓		ISO 406 ISO 101		mm		MINITEK	
ltr	ecn no	dr	date	tolerances unless otherwise specified		mm		title	
A	08-0113	LMU	08.01.17	angles	X.X ±0.3	mm		SHR HEADER	
				Linear	X.XX ±0.13	mm		2.00 VERTICAL TMT	
					X.XXX ±0.05	mm		scale 1:1	
				dr	L.MULIN	07.11.06	FCJ		dwg no
				engr	J.COMPAGNON	07.11.06			sheet 2 of -
				chr					size
				appd	JM.C	07.11.06			A3
sheet index	revision sheet								type
									CUSTOMER Drawing



Copyright FCJ

1

2

3

4

5

6