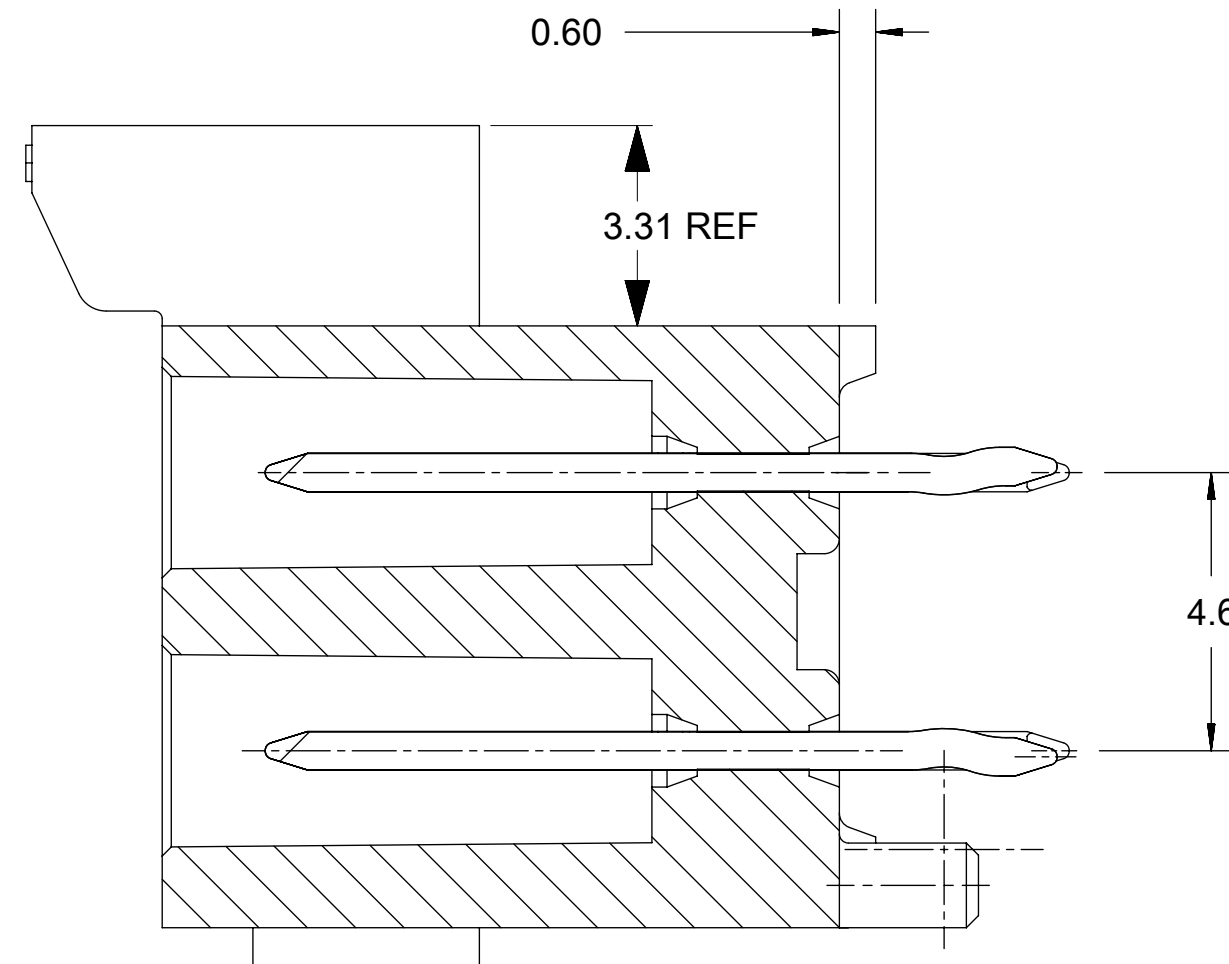
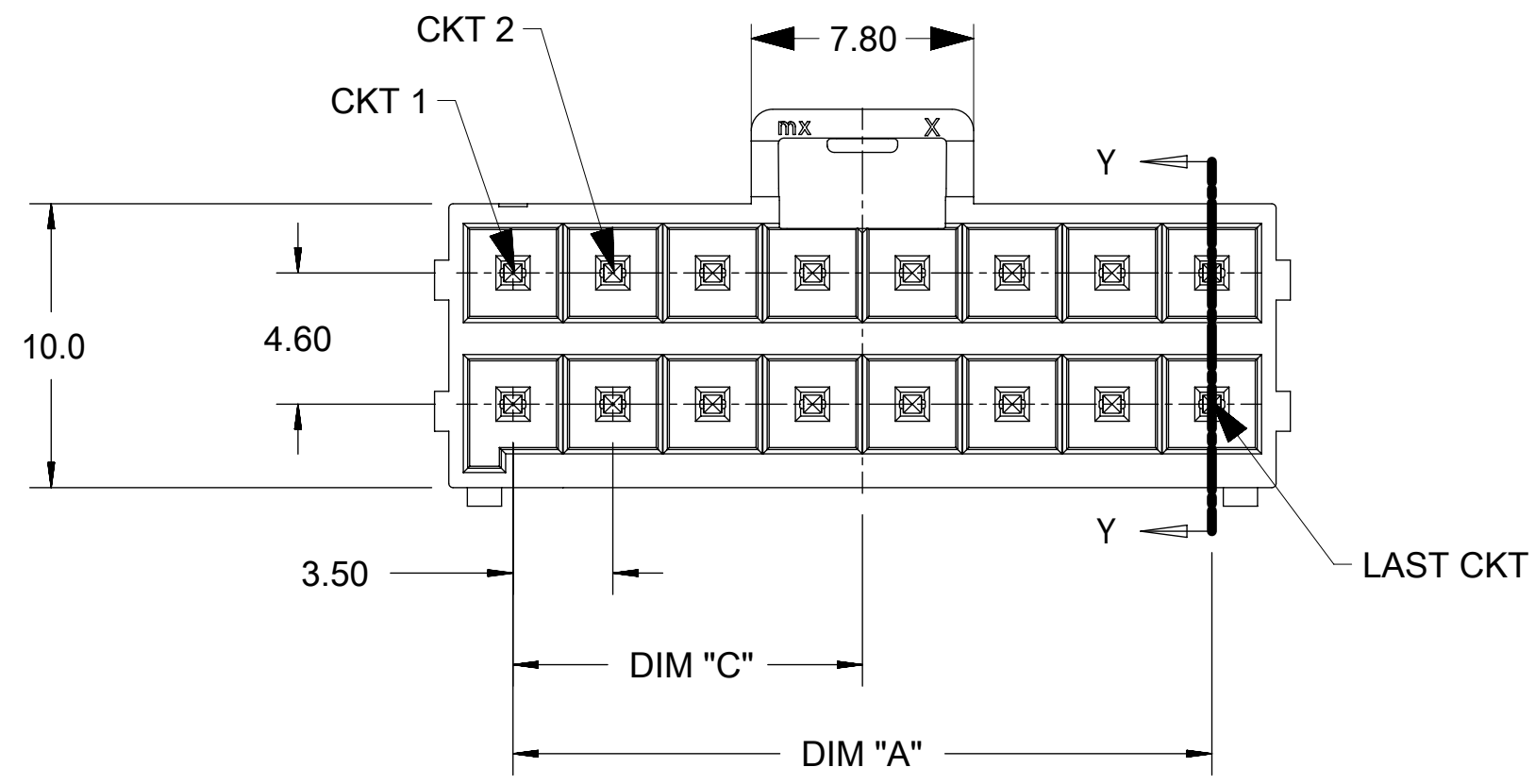
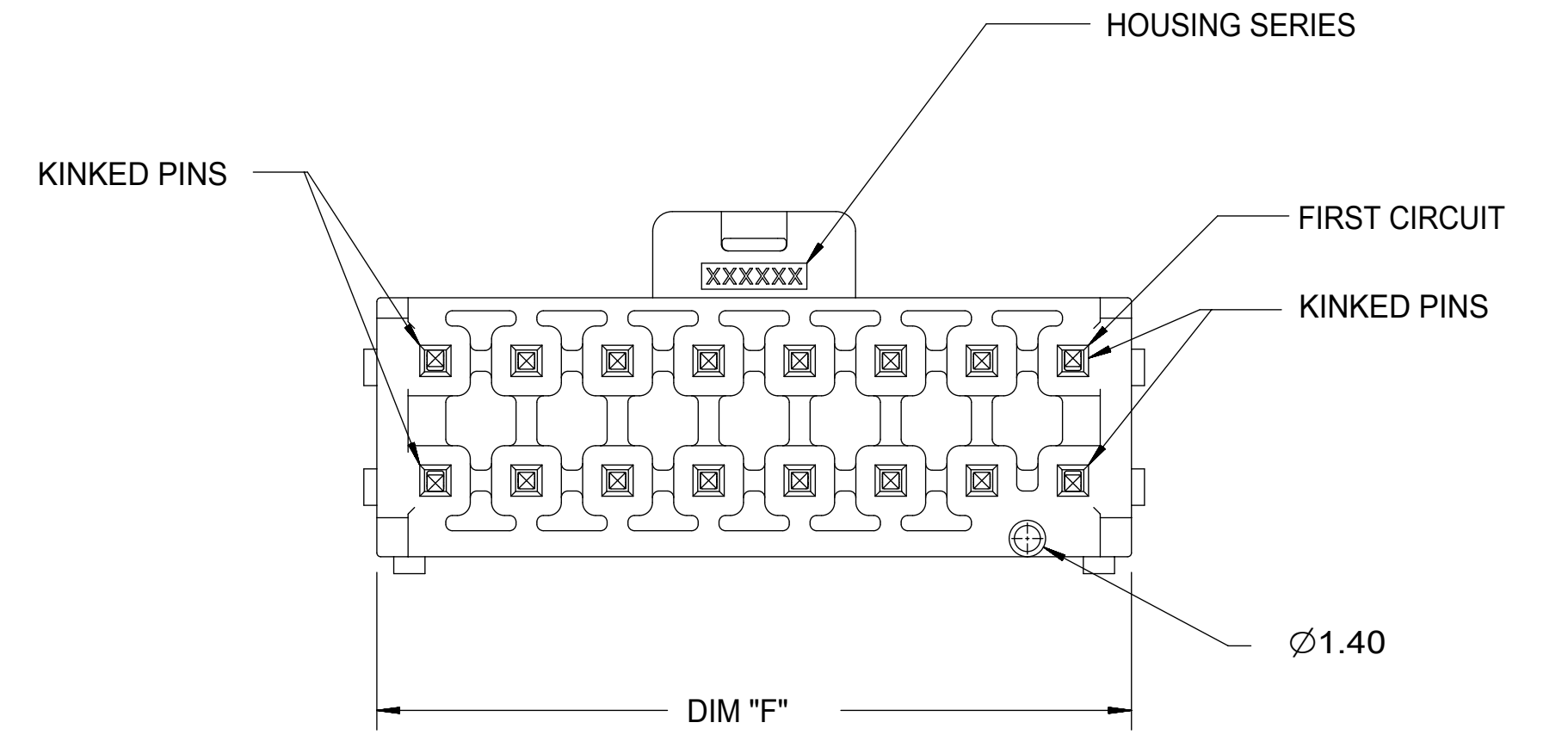


FIRST CIRCUIT MARK
(NOT SHOWING ON 4
AND 6 CIRCUITS SERIES)

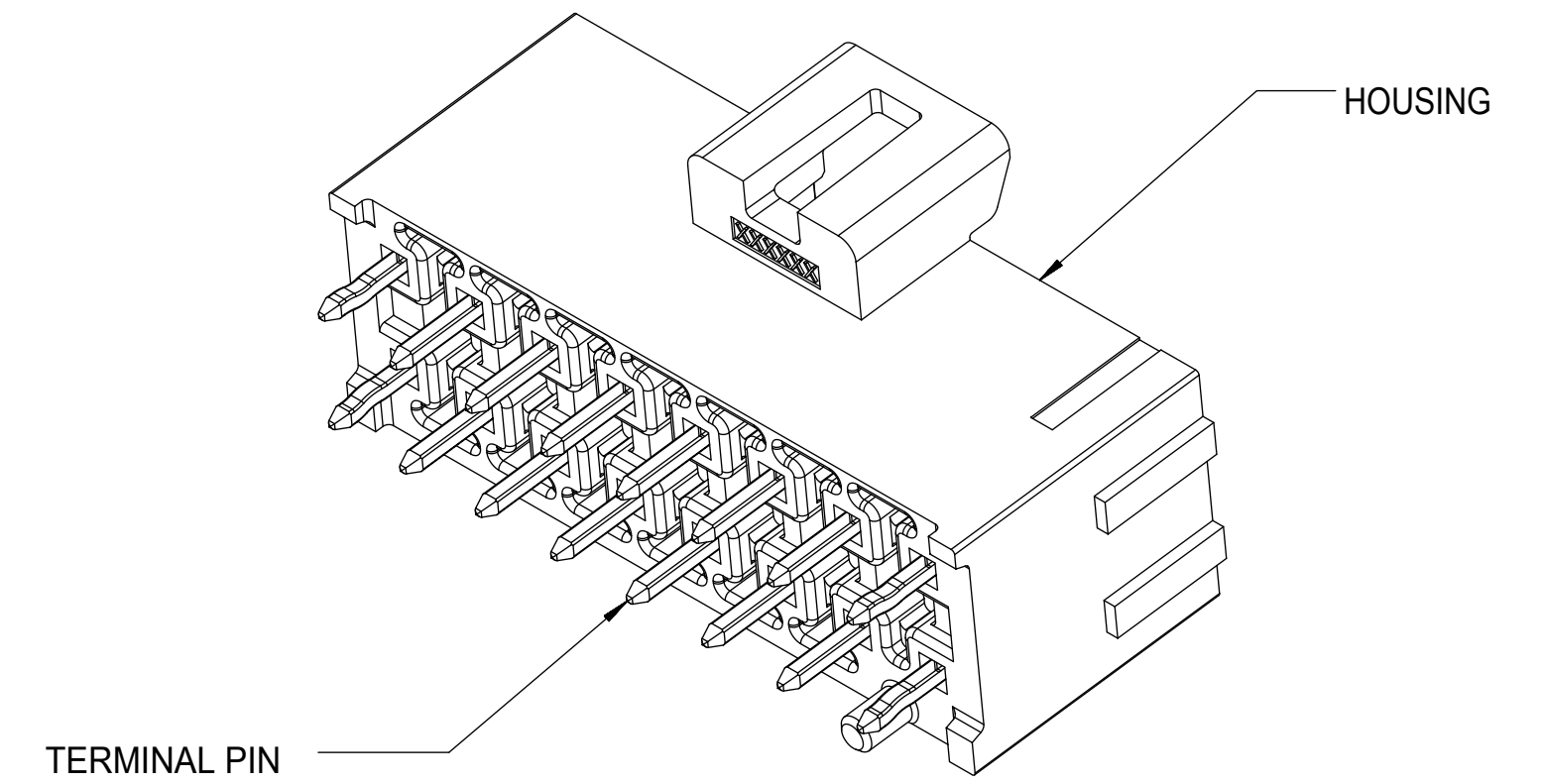
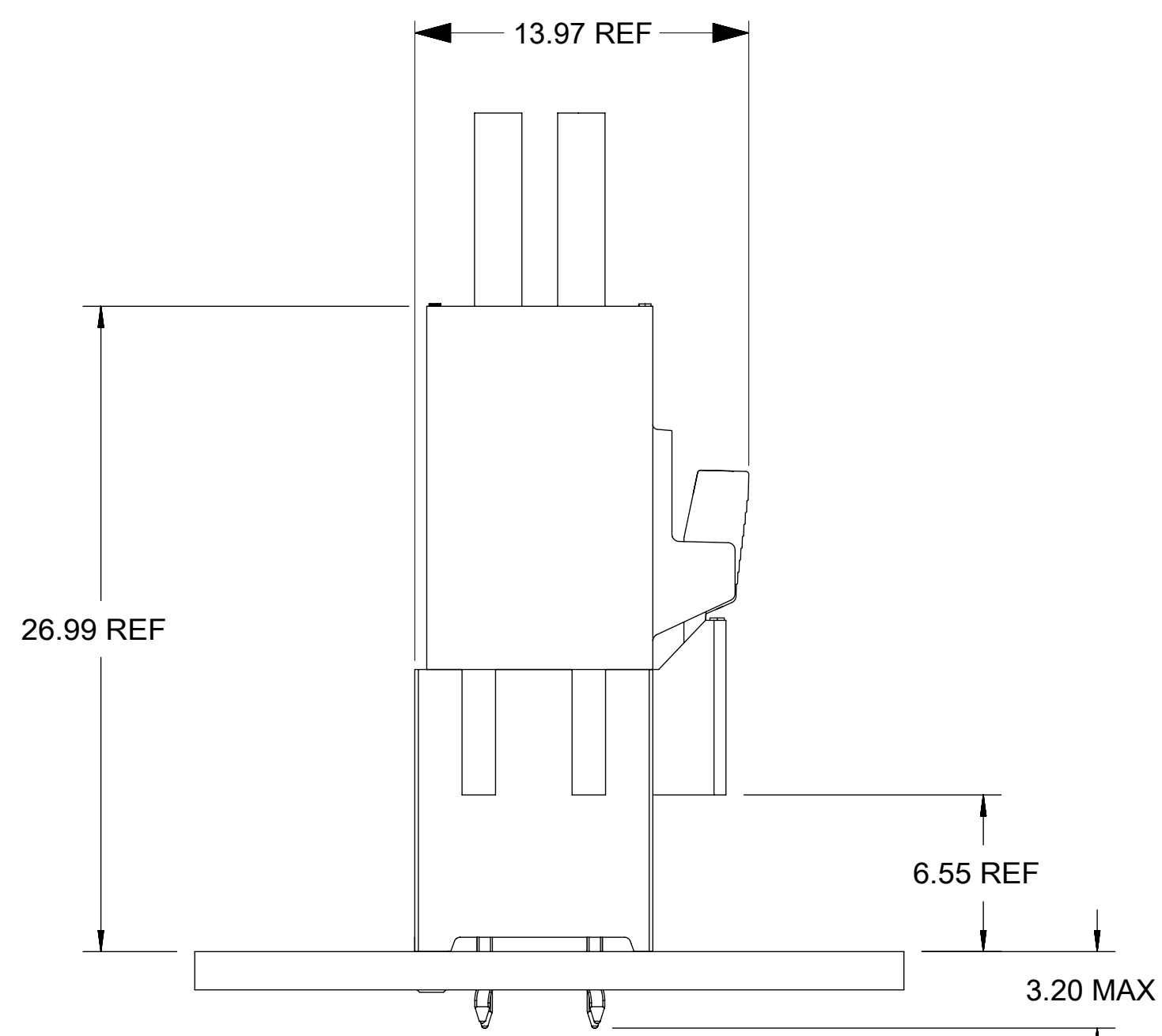


SECTION Y-Y
SCALE 8:1

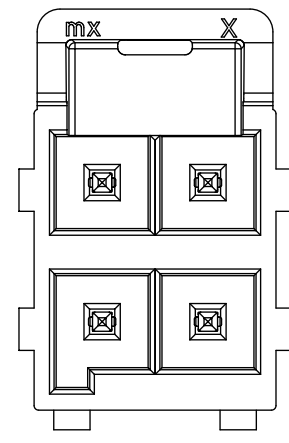


NOTES:

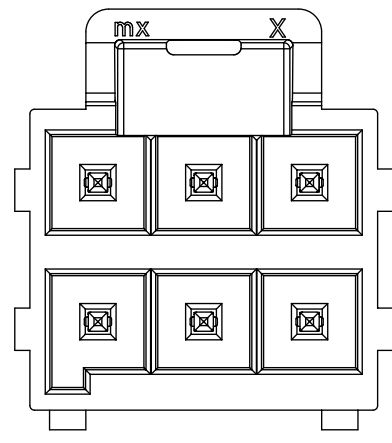
- MATERIAL :
HOUSING
OPTION 1: LCP BLACK, UL94 V-0
OPTION 2: LCP NATURAL, UL94 V-0
TERMINAL: COPPER ALLOY
- PLATING FINISH:
OPTION 1 - 1.5µm(60µin)-2.5µm(100µin) TIN OVER
1.25µm(50µin)-2.5µm(100µin) NICKEL OVERALL
OPTION 2 - 0.35µm(15µin) GOLD CONTACT AREA,
1.5µm(60µin)-2.5µm(100µin) TIN TAIL AREA OVER
1.25µm(50µin)-2.5µm(100µin) NICKEL OVERALL
OPTION 3 - 0.70µm(30µin) GOLD CONTACT AREA,
1.5µm(60µin)-2.5µm(100µin) TIN TAIL AREA OVER
1.25µm(50µin)-2.5µm(100µin) NICKEL OVERALL
- PARTS TO BE PACKAGED PER PK-172298-9001
- PRODUCT SPECIFICATION PS-172323-0001
- PART MATES WITH MOLEX RECEPTACLE HOUSING
172258 AND 172262
- PART CONFORMS TO CLASS "C" REQUIREMENTS OF SPECIFICATION
PS-45499-002 WITH 0.13 MM MAXIMUM FLASH ALLOWED IN CORE
HOLES AND FRONT SURFACE.
- DISCOLORATION IN THE BANDOLIER AREA OF THE PIN IS
INHERENT TO THE PLATING PROCESS AND IS DUE TO THE MASKING
EFFECT OF THE CARRIER. THIS DISCOLORATION IS IN A NON-FUNCTIONAL
AREA OF THE PIN AND WILL NOT AFFECT THE PERFORMANCE OF THE
HEADER ASSEMBLY.
- APPLICATION SPECIFICATION: AS-172323-0001



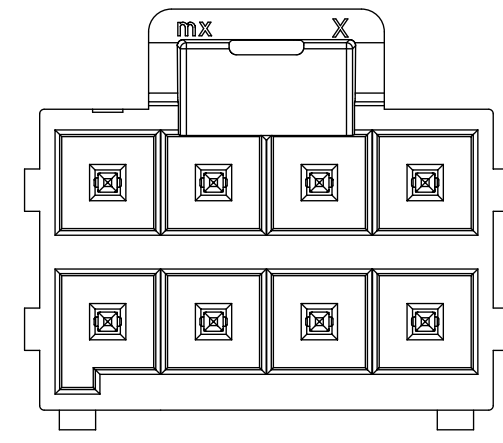
THIS DRAWING CONTAINS INFORMATION THAT IS PROPRIETARY TO MOLEX ELECTRONIC TECHNOLOGIES, LLC AND SHOULD NOT BE USED WITHOUT WRITTEN PERMISSION											
QUALITY SYMBOLS	GENERAL TOLERANCES (UNLESS SPECIFIED)				DIMENSION UNITS	SCALE					
▽ = 0	ANGULAR TOL ± °				MM	4:1					
▽ = 0	4 PLACES ±				DRWN BY	DATE	ULTRA-FIT VERT HEADER 4-16 CKTS DUAL ROW KINKED PINS				
▽ = 0	3 PLACES ±				DROSCA	2014/03/04					
▽ = 0	2 PLACES ± 0.25				CHKD BY	DATE	PRODUCT CUSTOMER DRAWING				
▽ = 0	1 PLACE ± 0.5				APPR BY	DATE					
▽ = 0	0 PLACES ±				JCOMERCI	2014/04/24	SERIES: 172298 MATERIAL NUMBER: SD-172298-1000 CUSTOMER: GENERAL MARKET				
▽ = 0	DRAFT WHERE APPLICABLE MUST REMAIN WITHIN DIMENSIONS				DRAWING SIZE	THIRD ANGLE PROJECTION					
▽ = 0	EC NO: 104752	DRWN: PPEREZ03	CHKD: RHODGE	REV: APPR:	D	PSD	000	1 OF 2			



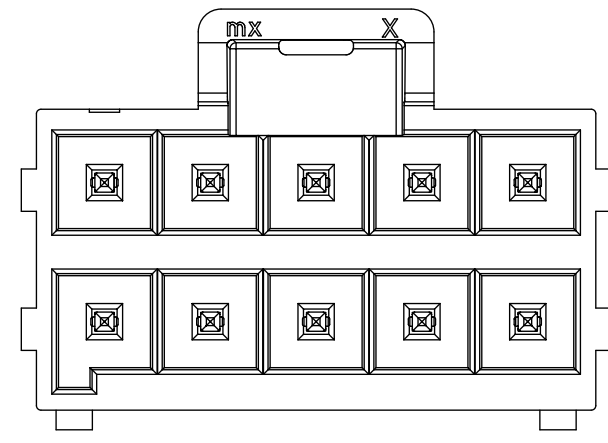
4 CKT



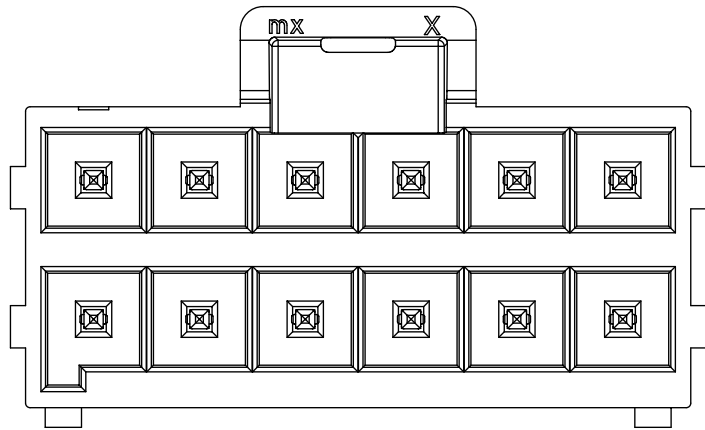
6 CKT



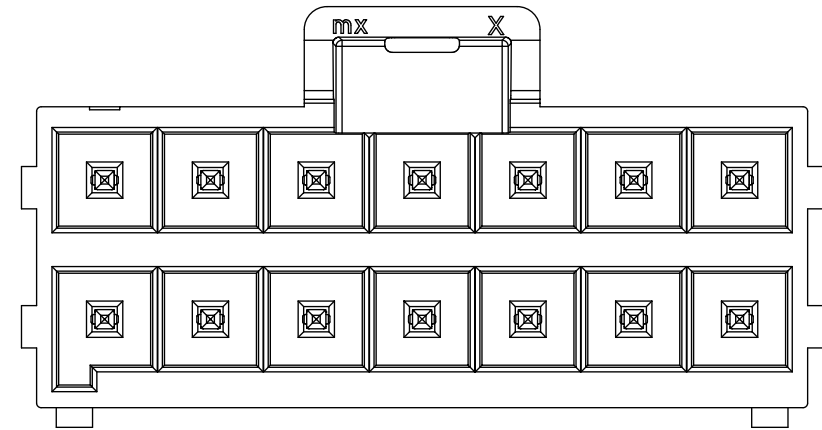
8 CKT



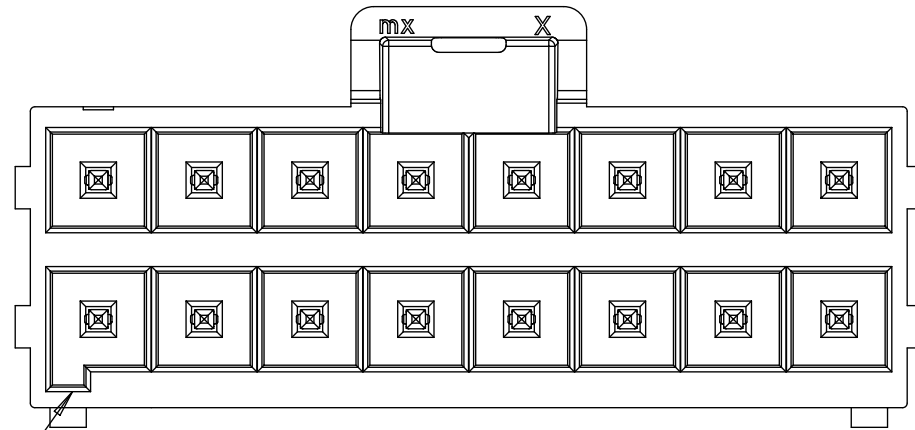
10 CKT



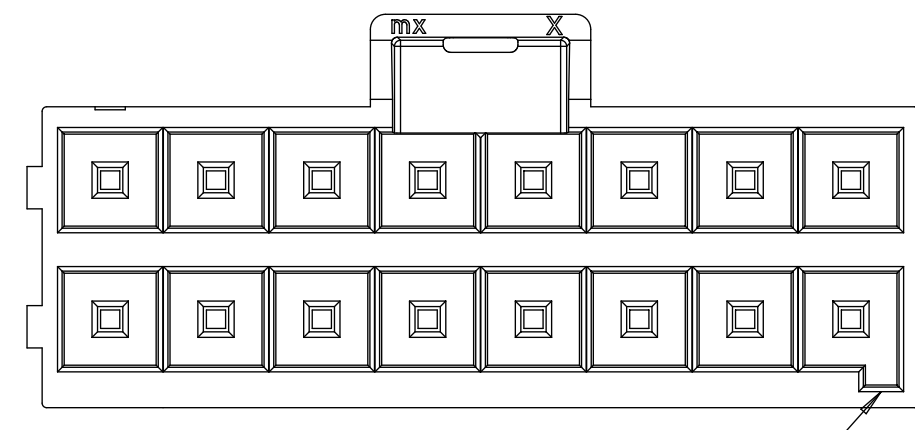
12 CKT



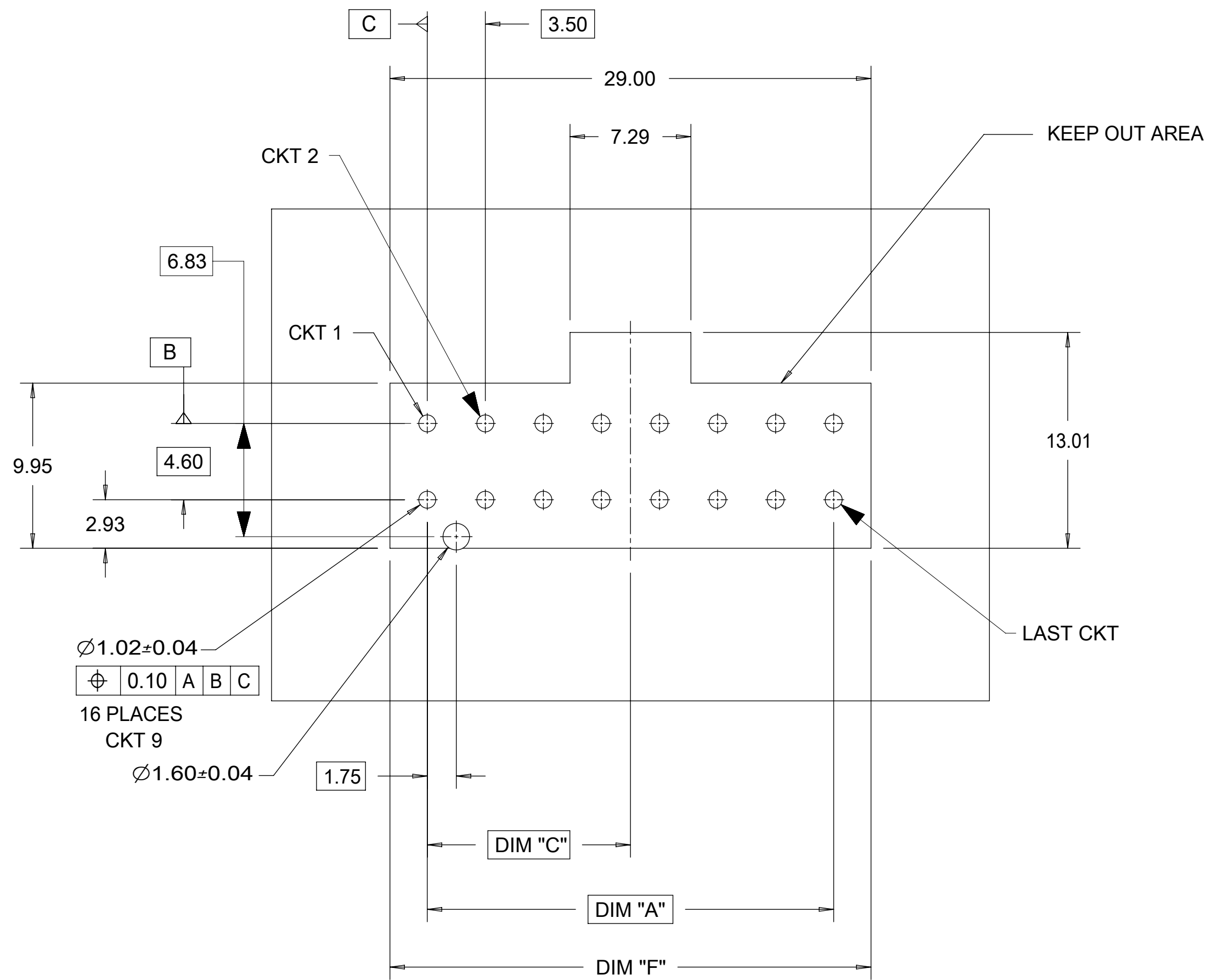
14 CKT



KEY A
(BLACK)



KEY B
(NATURAL)



NOTE: DATUM -A- IS ON PCB COMPONENT SIDE

TIN PLATING						
PART NO.	COLOR	CIRCUIT SIZE	KEY OPTION	DIM A	DIM F	DIM C
172298-1104	BLACK	4	KEY A	3.50	8.00	1.75
172298-1106	BLACK	6	KEY A	7.00	11.50	3.50
172298-1108	BLACK	8	KEY A	10.50	15.00	5.25
172298-1110	BLACK	10	KEY A	14.00	18.50	7.00
172298-1112	BLACK	12	KEY A	17.50	22.00	8.75
172298-1114	BLACK	14	KEY A	21.00	25.50	10.50
172298-1116	BLACK	16	KEY A	24.50	29.00	12.25
172298-2104	NATURAL	4	KEY B	3.50	8.00	1.75
172298-2106	NATURAL	6	KEY B	7.00	11.50	3.50
172298-2108	NATURAL	8	KEY B	10.50	15.00	5.25
172298-2110	NATURAL	10	KEY B	14.00	18.50	7.00
172298-2112	NATURAL	12	KEY B	17.50	22.00	8.75
172298-2114	NATURAL	14	KEY B	21.00	25.50	10.50
172298-2116	NATURAL	16	KEY B	24.50	29.00	12.25

15 MICROINCH GOLD PLATING						
PART NO.	COLOR	CIRCUIT SIZE	KEY OPTION	DIM A	DIM F	DIM C
172298-1204	BLACK	4	KEY A	3.50	8.00	1.75
172298-1206	BLACK	6	KEY A	7.00	11.50	3.50
172298-1208	BLACK	8	KEY A	10.50	15.00	5.25
172298-1210	BLACK	10	KEY A	14.00	18.50	7.00
172298-1212	BLACK	12	KEY A	17.50	22.00	8.75
172298-1214	BLACK	14	KEY A	21.00	25.50	10.50
172298-1216	BLACK	16	KEY A	24.50	29.00	12.25
172298-2204	NATURAL	4	KEY B	3.50	8.00	1.75
172298-2206	NATURAL	6	KEY B	7.00	11.50	3.50
172298-2208	NATURAL	8	KEY B	10.50	15.00	5.25
172298-2210	NATURAL	10	KEY B	14.00	18.50	7.00
172298-2212	NATURAL	12	KEY B	17.50	22.00	8.75
172298-2214	NATURAL	14	KEY B	21.00	25.50	10.50
172298-2216	NATURAL	16	KEY B	24.50	29.00	12.25

30 MICROINCH GOLD PLATING						
PART NO.	COLOR	CIRCUIT SIZE	KEY OPTION	DIM A	DIM F	DIM C
172298-1304	BLACK	4	KEY A	3.50	8.00	1.75
172298-1306	BLACK	6	KEY A	7.00	11.50	3.50
172298-1308	BLACK	8	KEY A	10.50	15.00	5.25
172298-1310	BLACK	10	KEY A	14.00	18.50	7.00
172298-1312	BLACK	12	KEY A	17.50	22.00	8.75
172298-1314	BLACK	14	KEY A	21.00	25.50	10.50
172298-1316	BLACK	16	KEY A	24.50	29.00	12.25
172298-2304	NATURAL	4	KEY B	3.50	8.00	1.75
172298-2306	NATURAL	6	KEY B	7.00	11.50	3.50
172298-2308	NATURAL	8	KEY B	10.50	15.00	5.25
172298-2310	NATURAL	10	KEY B	14.00	18.50	7.00
172298-2312	NATURAL	12	KEY B	17.50	22.00	8.75
172298-2314	NATURAL	14	KEY B	21.00	25.50	10.50
172298-2316	NATURAL	16	KEY B	24.50	29.00	12.25

QUALITY SYMBOLS F = 0 E = 0 D = 0 C = 0 B = 0 A = 0 0 = 0	THIS DRAWING CONTAINS INFORMATION THAT IS PROPRIETARY TO MOLEX ELECTRONIC TECHNOLOGIES, LLC AND SHOULD NOT BE USED WITHOUT WRITTEN PERMISSION		DIMENSION UNITS: MM SCALE: 4:1		 ULTRA-FIT VERT HEADER 4-16 CKTS DUAL ROW KINKED PINS PRODUCT CUSTOMER DRAWING	
	EC NO: 104752 DRWN: PPerez03 CHKD: RHODGE REV APPR:	2016/04/28 2016/03/30	GENERAL TOLERANCES (UNLESS SPECIFIED) ANGULAR TOL ± ° 4 PLACES ± 3 PLACES ± 2 PLACES ± 0.25 1 PLACE ± 0.5 0 PLACES ±	DRWN BY: DROSCA DATE: 2014/03/04 CHKD BY: JCOMERCI DATE: 2014/04/24		SERIES: 172298 MATERIAL NUMBER: SD-172298-1000 CUSTOMER: GENERAL MARKET
	DRAFT WHERE APPLICABLE MUST REMAIN WITHIN DIMENSIONS		DRAWING SIZE: D THIRD ANGLE PROJECTION	APPR BY: JCOMERCI DATE: 2014/04/24		DOC PART: 000 SHEET NUMBER: 2 OF 2
	RELEASE STATUS: B6 RELEASE DATE:	DOCUMENT NUMBER: SD-172298-1000 DOC TYPE: PSD DOC PART: 000 SHEET NUMBER: 2 OF 2				