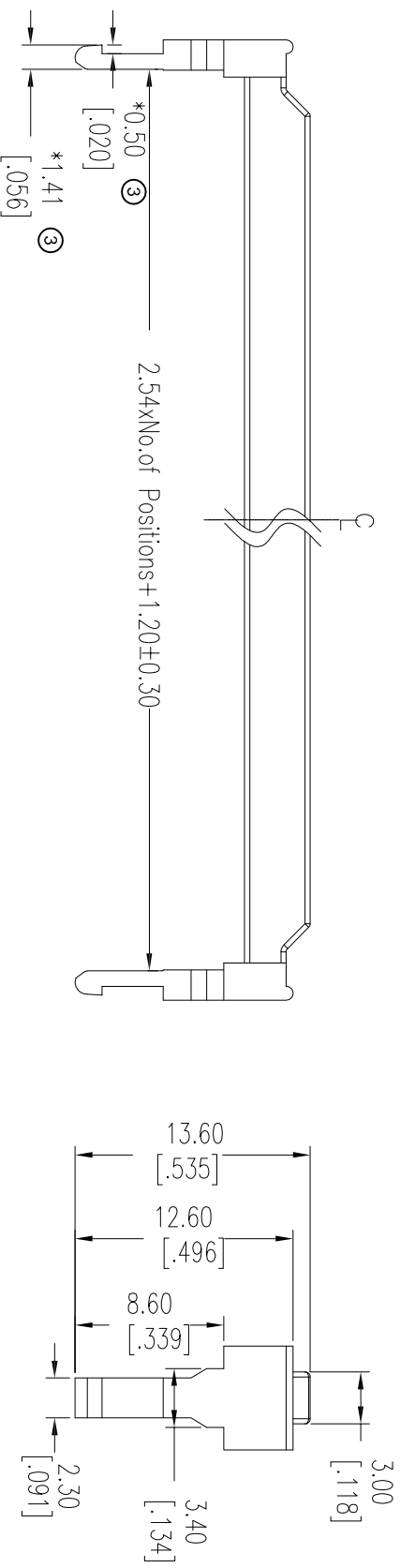
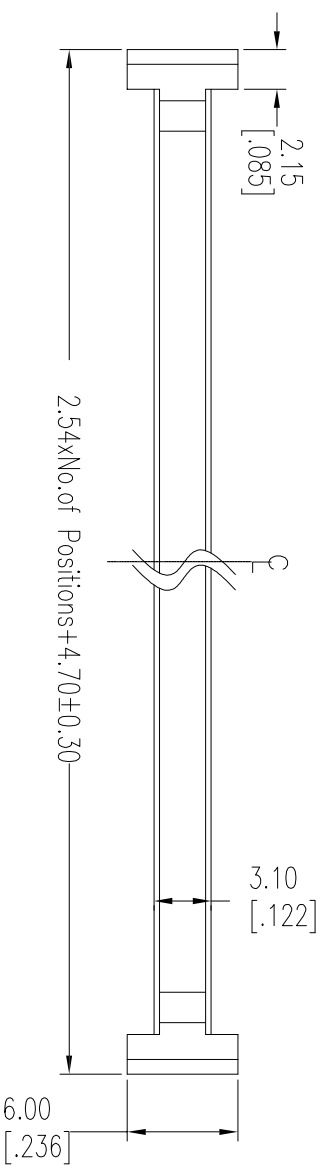


1 2 3 4 5 6 7

Strain Relief

NOTES:

- 1. Pin No. : 6-64P
- 2. Notes: No deformation on surface, Burr : 0.05mm max
- 3. Material : PBT+30%GF



RoHS compliant

Scale	1:1											
TOLERANCE												
X.X	±0.15					Drawn	Date	21.11.2001	Name	Helwig		
X.XX	±0.10					Approved	Date	22.11.2013	Name	Ray		
X.XXX	±0.05	③	Update dimension									
X.°	±2°	②	Change plant									
X.X°	±X°	①	Drawn				Date	21.01.2001	Name	Helwig		
X.XX°	±X°											
X.XXX°	±X°											

1 2 3 4 5 6 7 SVxxx



ASSMANN WSW-No. **AWZ-XX-T**

Customer-No. **ASSMANN WSW-No. AWZ-XX-T**

Drawing-No. **ASS 1194B CO rev03**

Replace **ASS 1194B CO rev03** Sheet