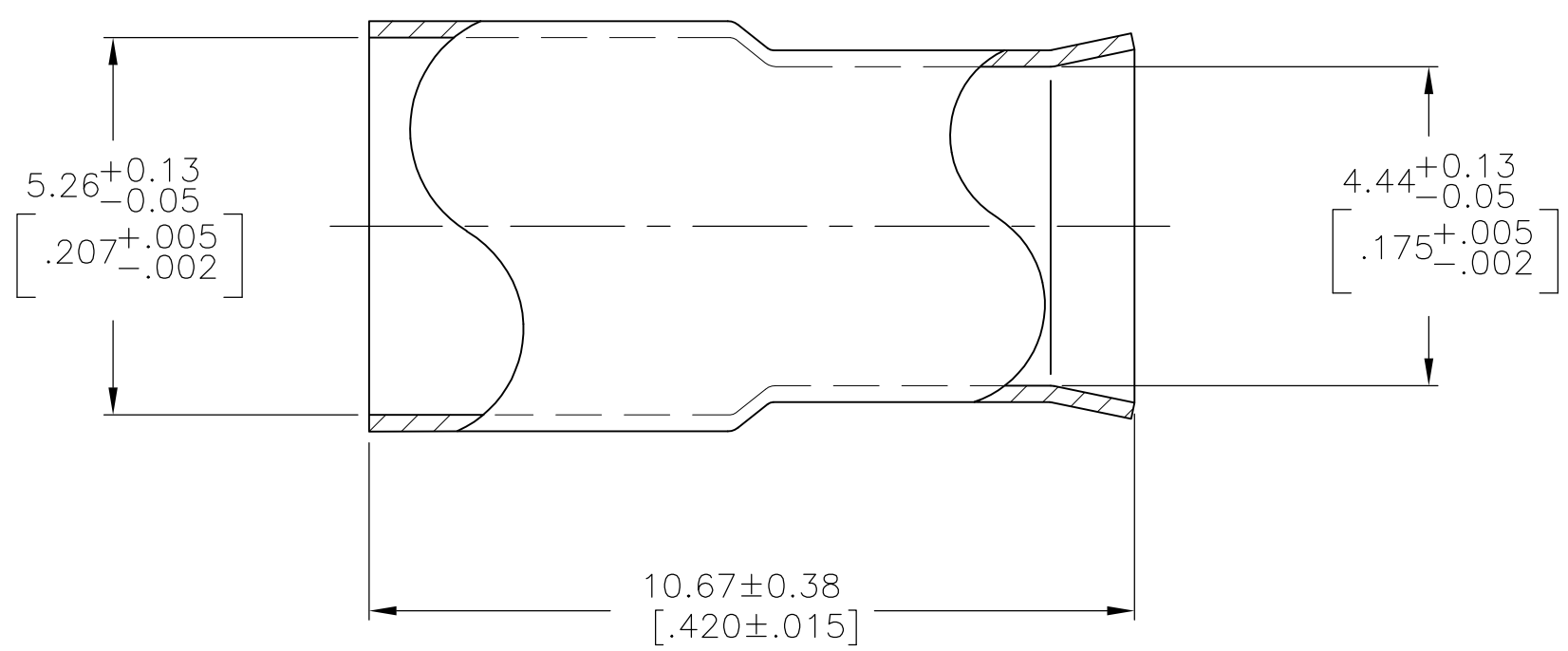


THIS DRAWING IS UNPUBLISHED. RELEASED FOR PUBLICATION  
 © COPYRIGHT - BY TYCO ELECTRONICS CORPORATION. ALL RIGHTS RESERVED.

LOC	DIST	REVISIONS					
AJ	19	P	LTR	DESCRIPTION	DATE	DWN	APVD
				AC2 REVISED PER ECO-10-008433	20MAY10	HMR	KW

- △1 SILVER PLATE PER QQ-S-365
- △2 TIN-LEAD PLATE PER ASTM-B-571



△1	9-328664-0
△2	2-328664-1
△1	328664
FINISH	PART NUMBER

THIS DRAWING IS A CONTROLLED DOCUMENT.		DWN B. WERNER 01-22-93	Tyco Electronics Corporation Harrisburg, PA 17105-3608	
DIMENSIONS: mm [INCHES]	TOLERANCES UNLESS OTHERWISE SPECIFIED:	CHK J. McLEOD 01-22-93	NAME	
	0 PLC ± -	APVD J. McLEOD 01-22-93	FERRULE, STEP-DOWN	
	1 PLC ± -	PRODUCT SPEC	SIZE	CAGE CODE
	2 PLC ± -	APPLICATION SPEC	A3	00779
	3 PLC ± -	WEIGHT	DRAWING NO	C-328664
	4 PLC ± -	CUSTOMER DRAWING	RESTRICTED TO	—
	ANGLES ± -		SCALE	10:1
MATERIAL COPPER ALLOY	FINISH SEE NOTES		SHEET	1 OF 1
			REV	AC2