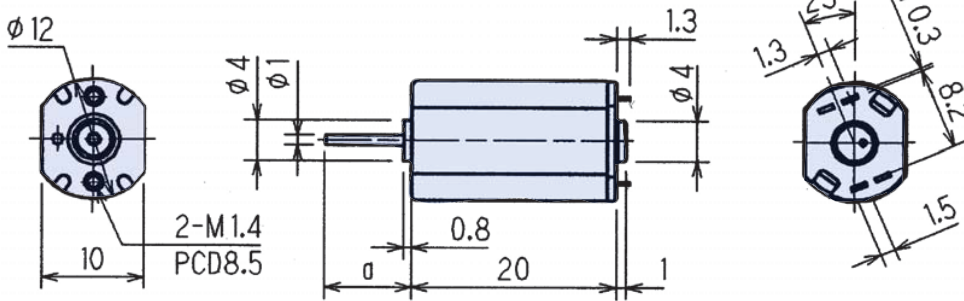


M1N10



Weight: 17.7 g

Outline UNIT:mm



Specifications

Model	Operating Voltage (V)	Rated Voltage (V)	No Load Speed (min ⁻¹)	No Load Current (mA)	Rated Load		Rated Load Speed (min ⁻¹)	Rated Load Current (mA)	Starting Torque		Starting Current (mA)	Shaft Length (mm)
					(gf·cm)	(mN·m)			(gf·cm)	(mN·m)		
M1N10FB08G	1 to 6	5.0	8483	20	3.1	0.3	6258	77	11.7	1.1	238	a=8.5
M1N10FB95G	1 to 6	5.0	10277	20	3.1	0.3	8542	90	18.1	1.8	433	a=8.5
M1N10FB09F	1 to 6	5.0	10822	23	3.1	0.3	8714	96	15.7	1.5	399	a=6.5
M1N10FB10G	1 to 6	5.0	13316	36	3.1	0.3	10988	131	17.5	1.7	575	a=8.5
M1N10FB11G	1 to 6	5.0	15906	36	3.1	0.3	13850	145	23.7	2.3	874	a=8.5

Characteristics

