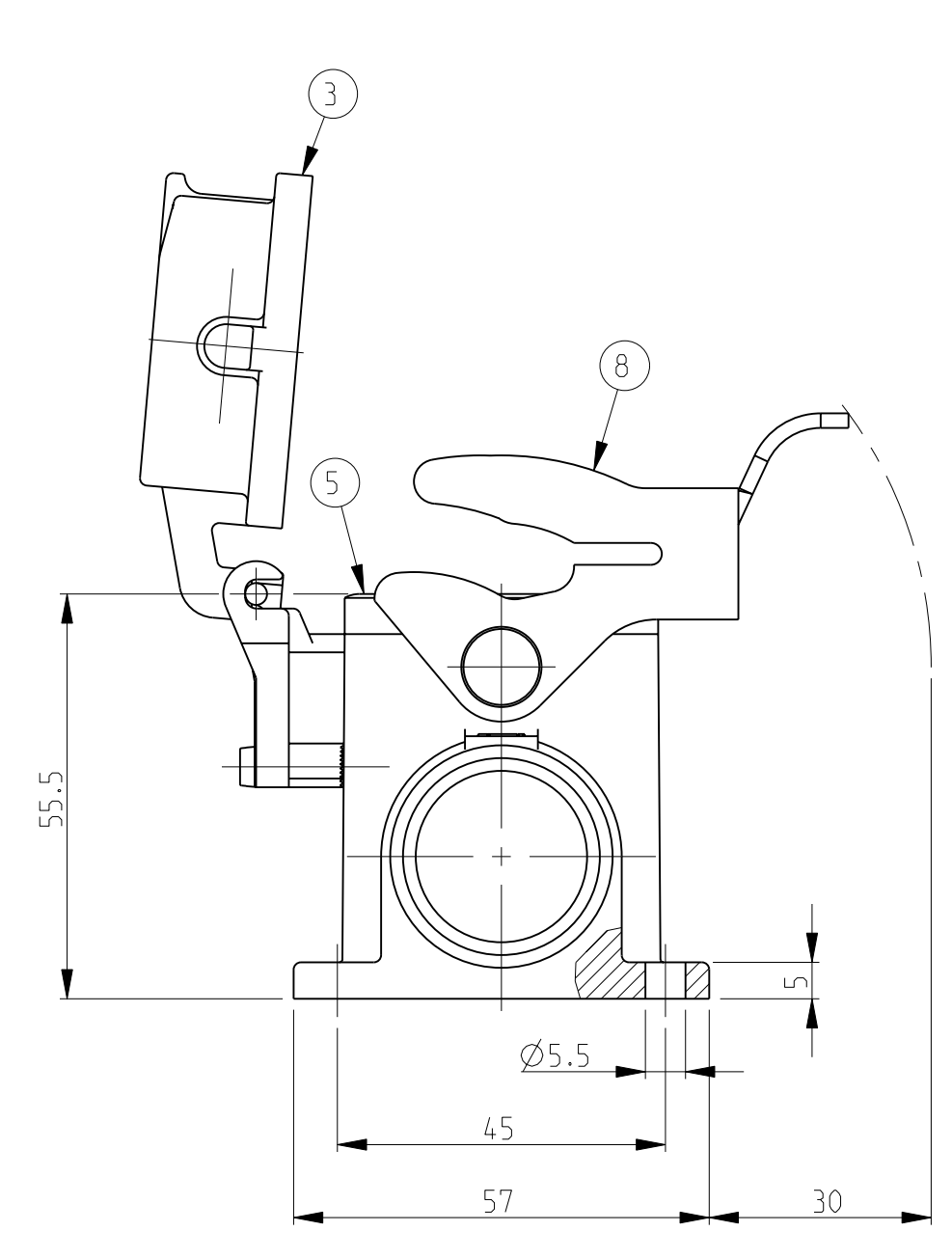
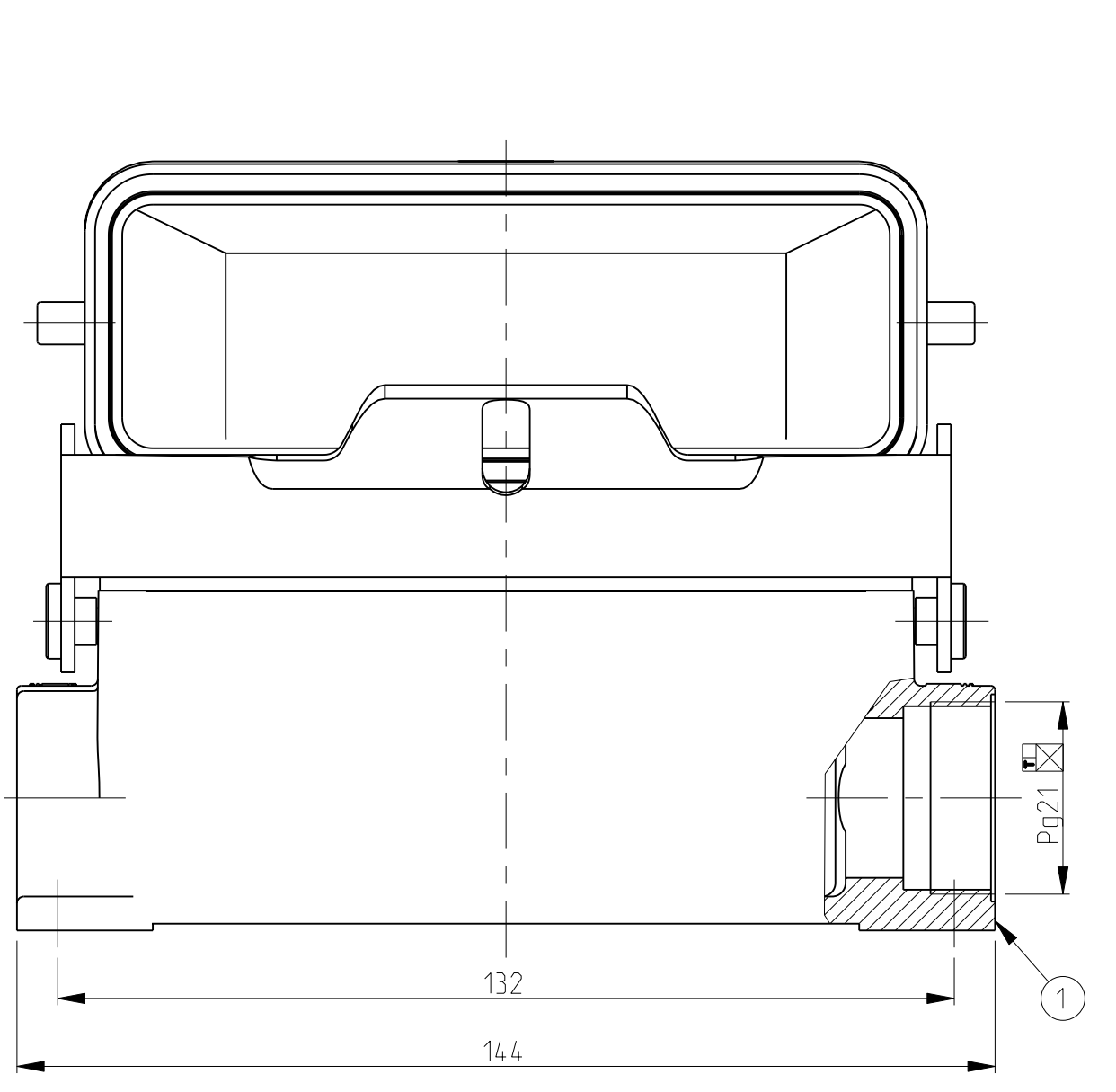
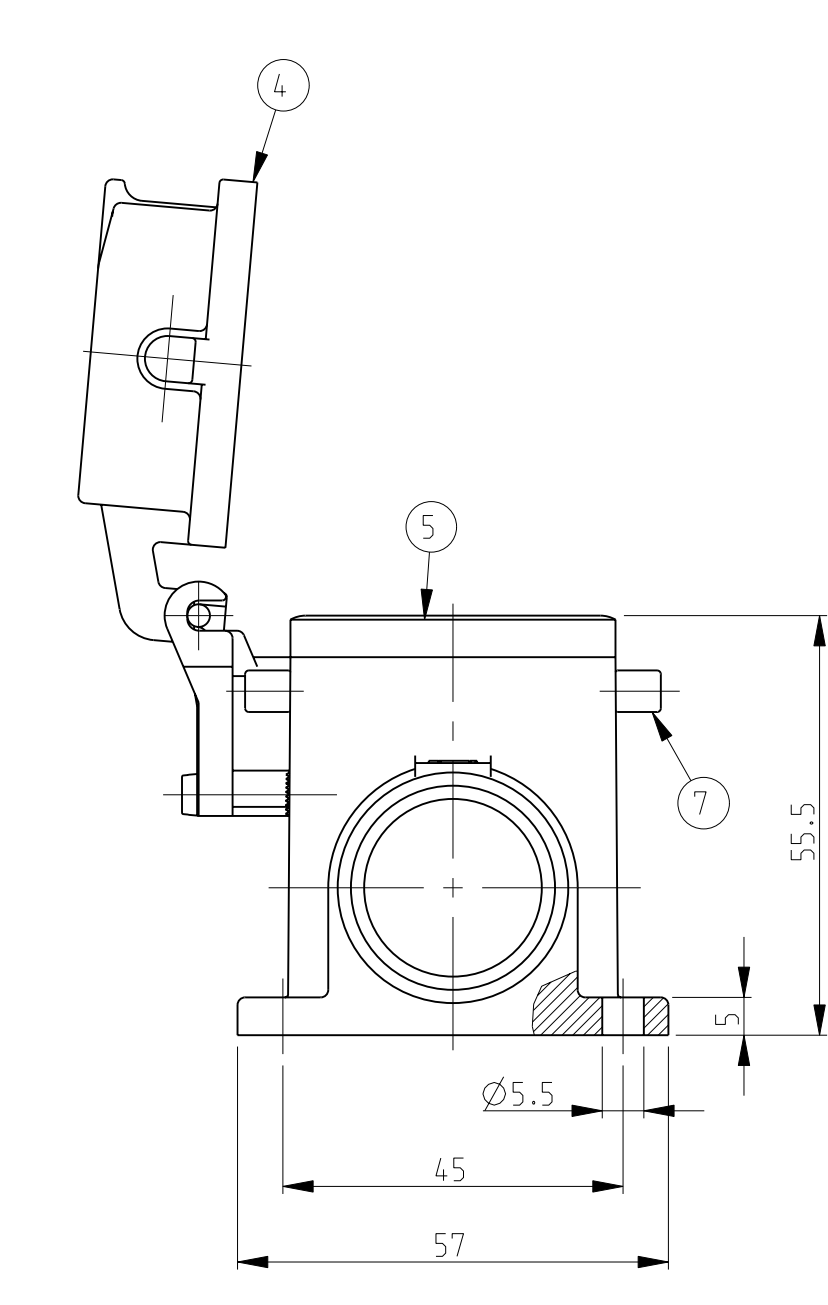
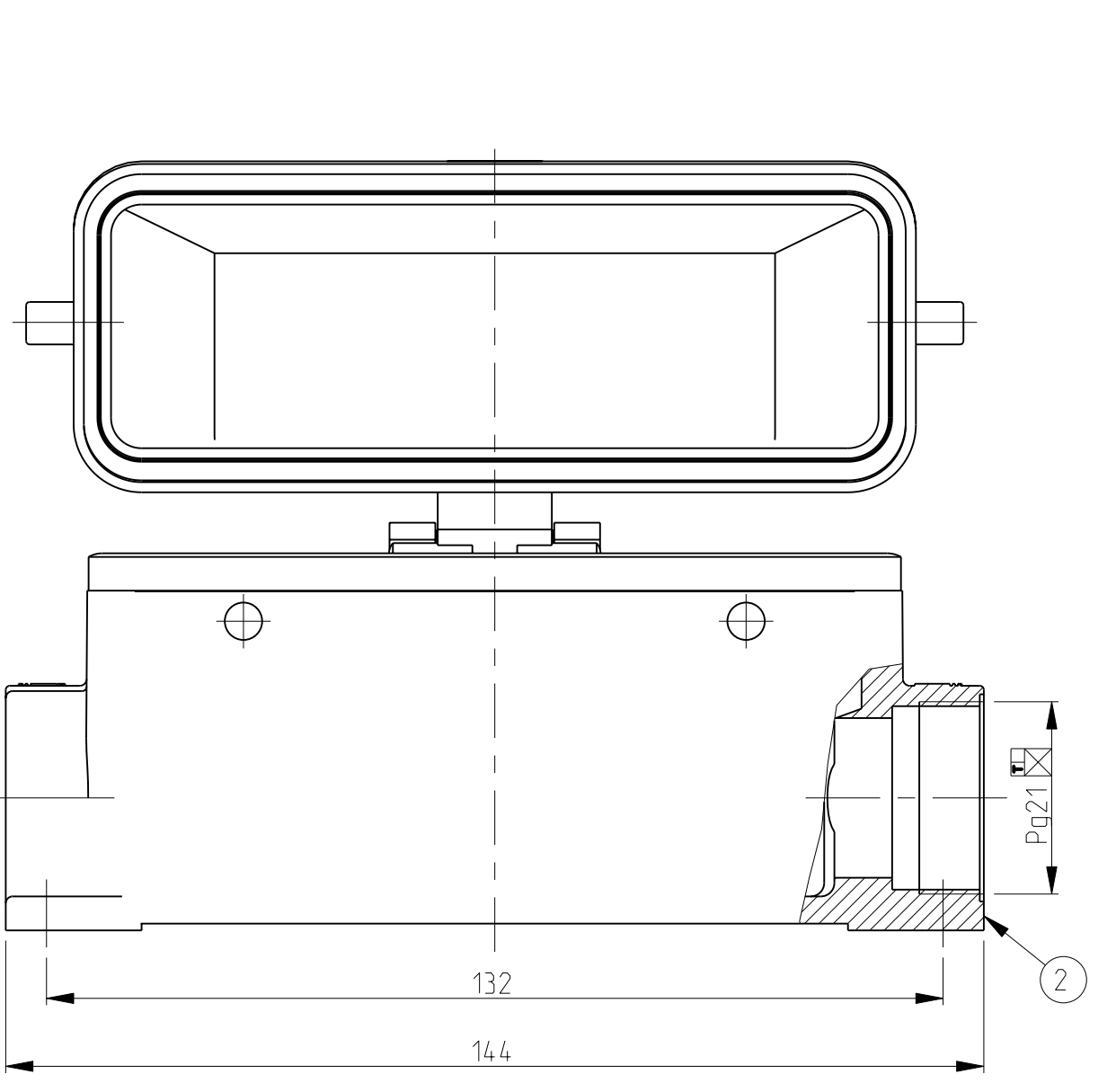
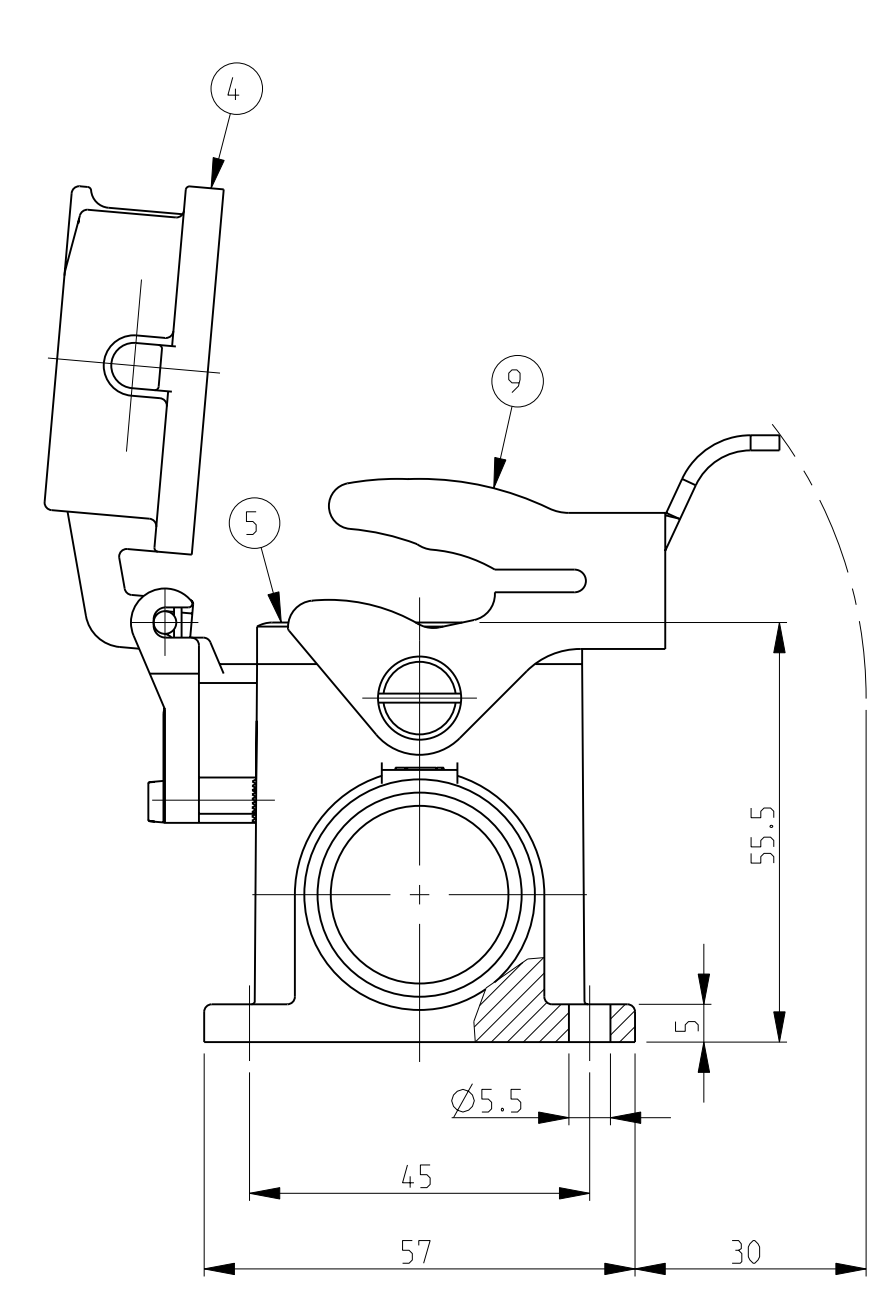
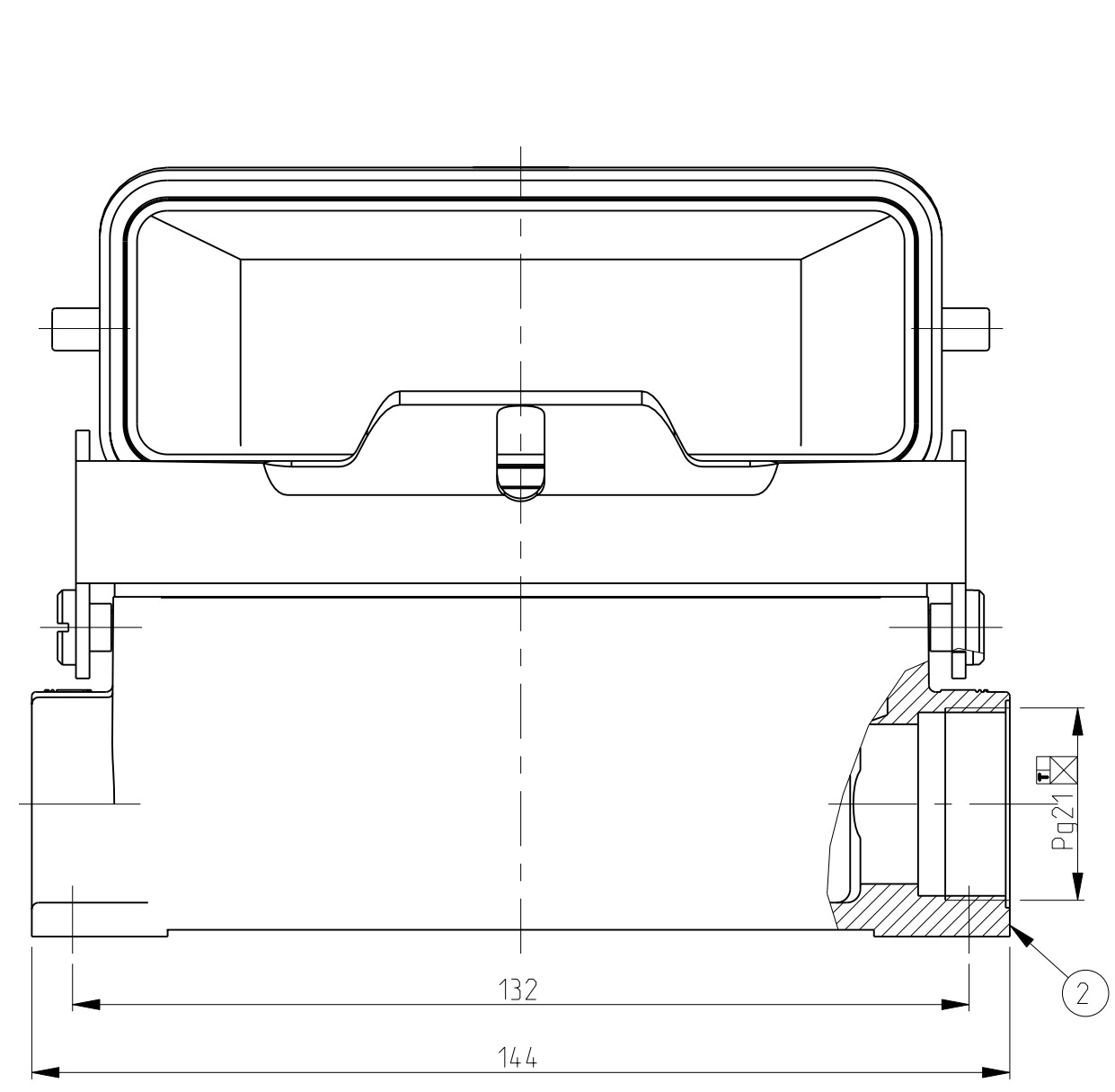
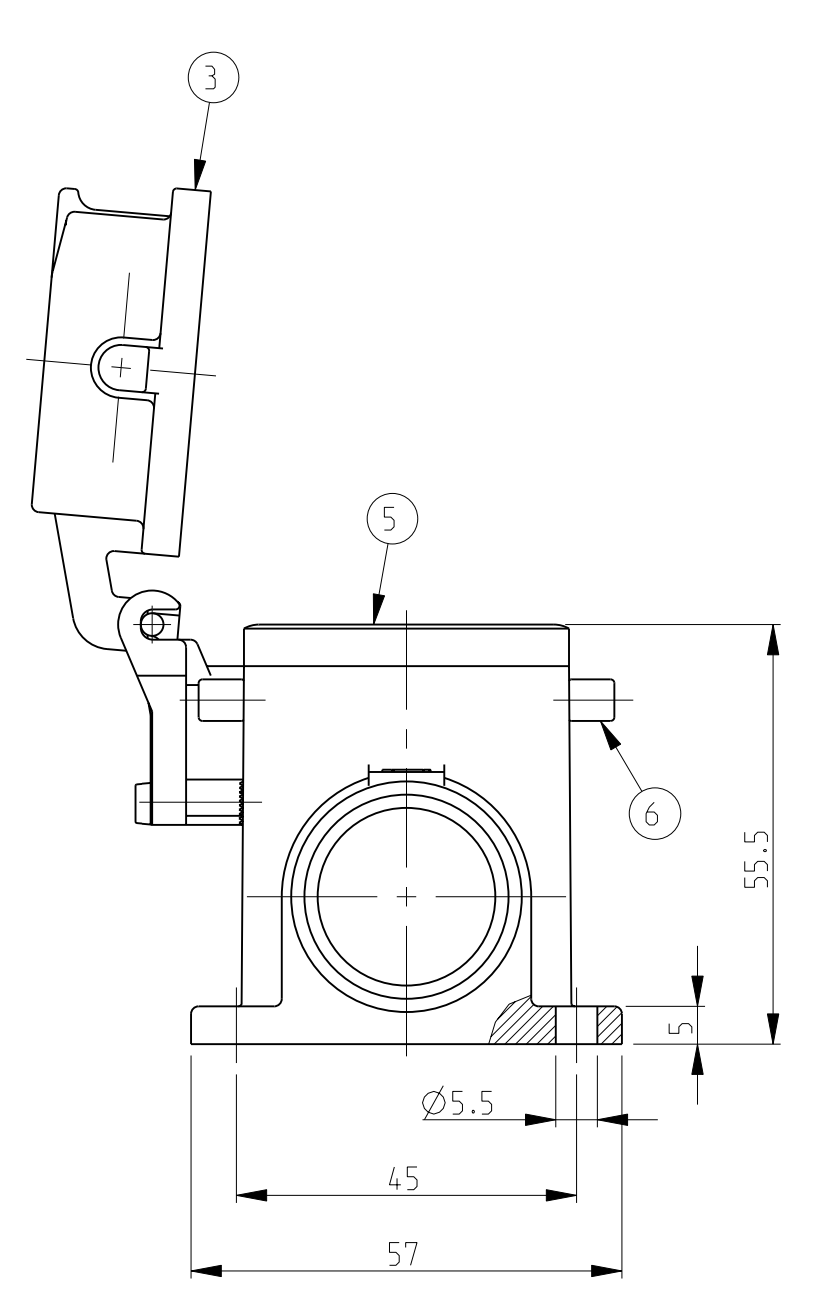
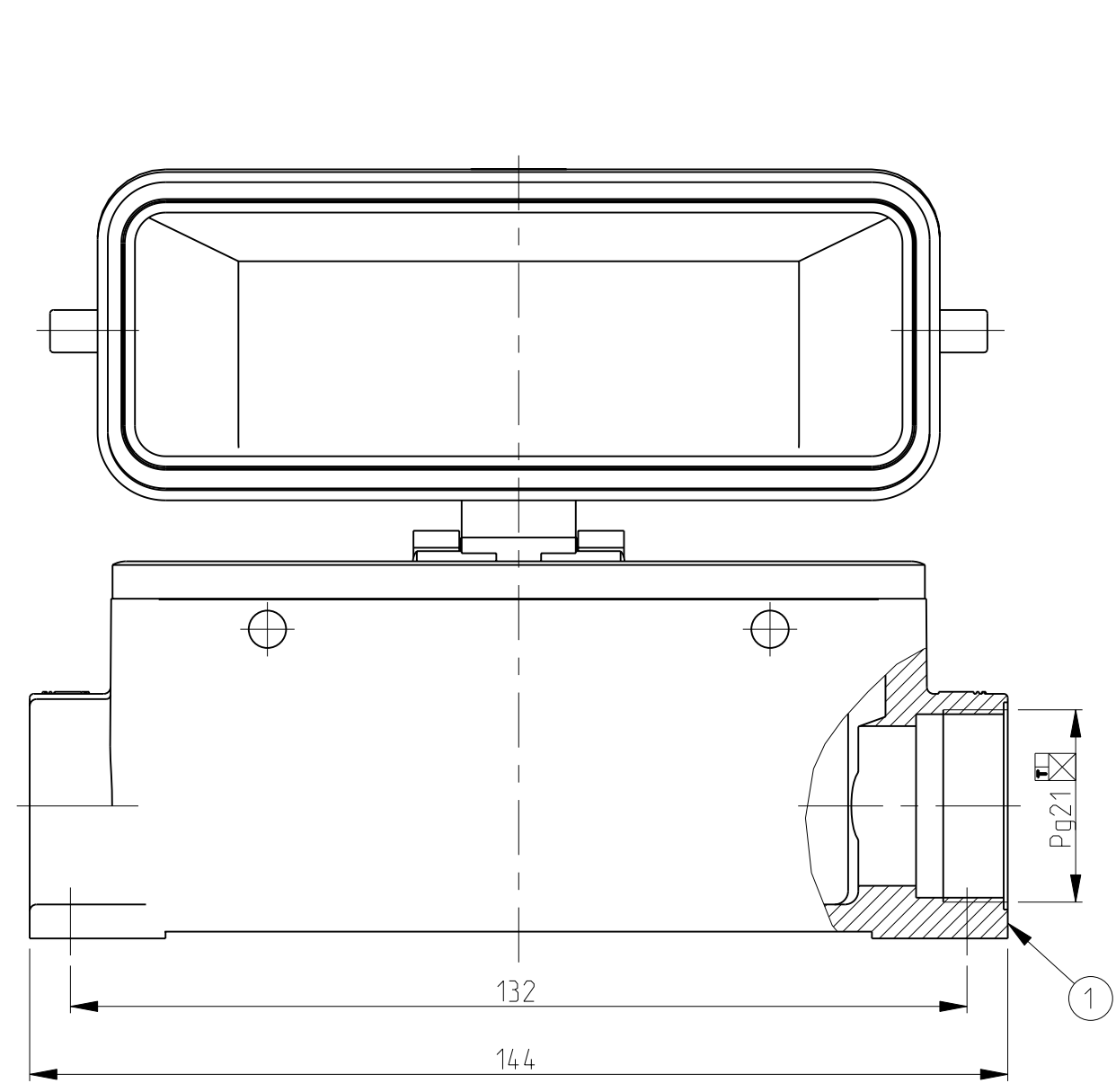
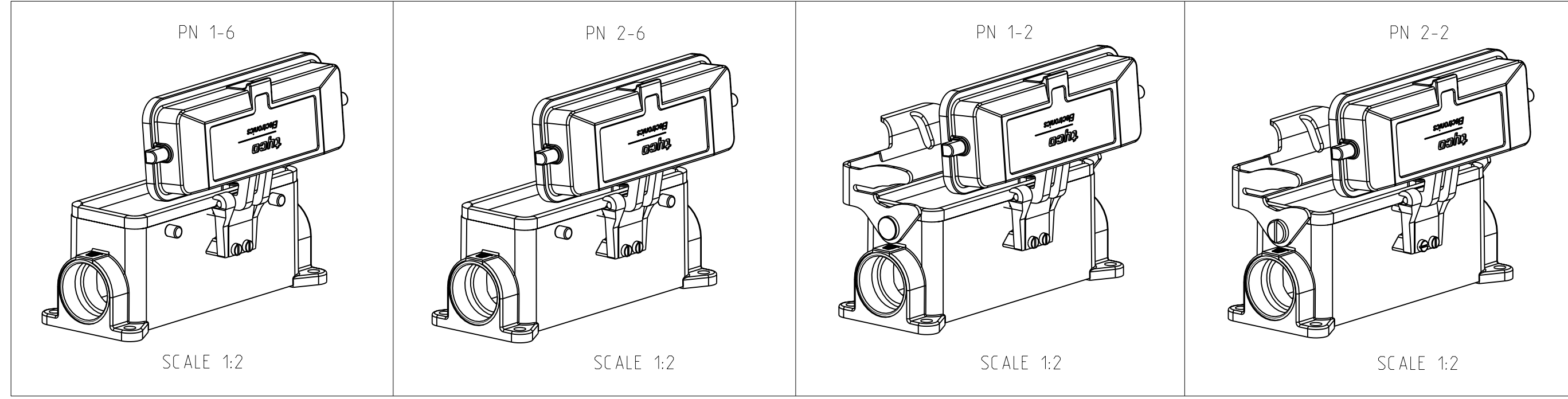


LOC	DIST	REVISIONS			
P	LTR	DESCRIPTION	DATE	DWN	APVD
A1	-				
A2		Released as per ECR-08-019772	04.Sep.2008	SP	TS



- NOTES.
- 1 Material:Housing:Aluminium Diecasting Alloy  
Seals:Neoprene
  - 2 Surface:Vannish grey  
-Aluminium Oxide +Vannish Black
  - 3 Varnish on the inside not necessary
  - 4 Packaging  
Quantity 5 Pieces in a box



QTY	ITEM NO	DESCRIPTION	MATERIAL	SURFACE	COLOR	ITEM NO	REMARKS		
1	1	LB-Side Clip	Stainless steel	Blank		9			
	1	LB-Side Clip	Steel	Zinc plated	Blue	8			
	4	VS-Clip bolt	Stainless steel	Blank		7			
	4	VS-Clip bolt	Steel	Zinc plated	Blue	6			
1	1	Profile seal	Neoprene		Black	5			
1	1	Cover finished product HB-K	Aluminium	Aluminium oxide	Black RAL 9005	4			
1	1	Cover finished product HB	Aluminium		Grey RAL 7001	3			
1	1	Surface mounted housing side entry HB-K	Aluminium	Aluminium oxide	Black RAL 9005	2			
1	1	Surface mounted housing side entry HB	Aluminium		Grey RAL 7001	1			
2-2	1-2	2-6	1-6	DESCRIPTION	MATERIAL	SURFACE	COLOR	ITEM NO	REMARKS
ORDERING TEXT									
HB.24.SGD.1.21.Z									
HB-K.24.SGD.1.21.Z									
HB.24.SGD-LB.1.21.Z									
HB-K.24.SGD-LB.1.21.Z									

DIMENSIONS: mm  
 TOLERANCES UNLESS OTHERWISE SPECIFIED:  
 0/PLC ±0.10  
 1/PLC ±0.15  
 2/PLC ±0.20  
 3/PLC ±0.25  
 4/PLC ±0.30  
 ANGLES ±0.5  
 FINISH -

DWN: Schneider 13.05.03  
 CHK: Schneider 13.05.03  
 APVD: -  
 NAME: -  
 PRODUCT SPEC: -  
 APPLICATION SPEC: -  
 WEIGHT: -  
 CUSTOMER DRAWING: -

Tyco Electronics Tyco Electronics,AMP.GmbH  
 0-53757 Sankt Augustain, Germany  
 Surface mounted housing side entry  
 HB.24.SGD.1.21.Z  
 SIZE: A1 CAGE CODE: 00779 DRAWING NO: C=1102343  
 SCALE: 1:1 SHEET: 1 OF 1 REV: A2