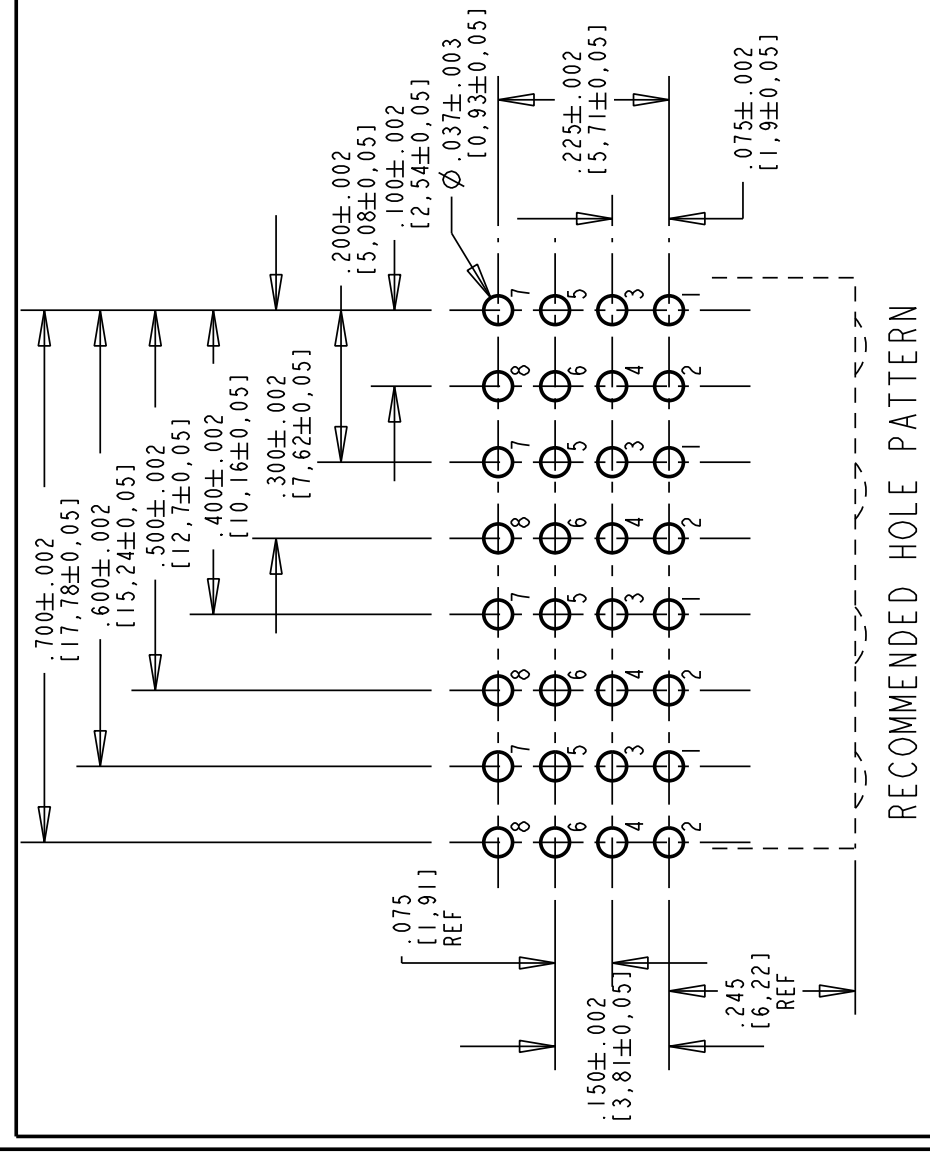
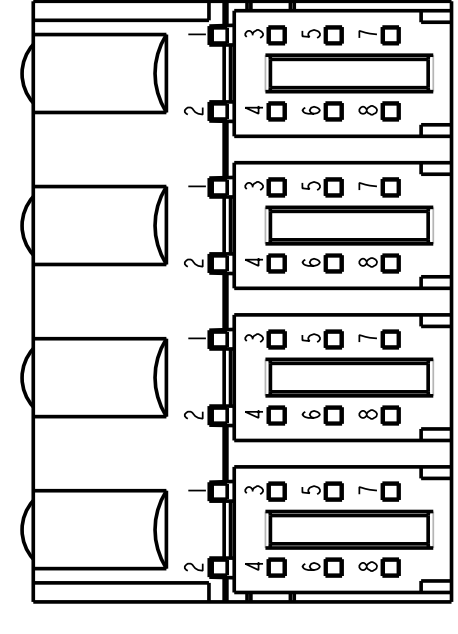
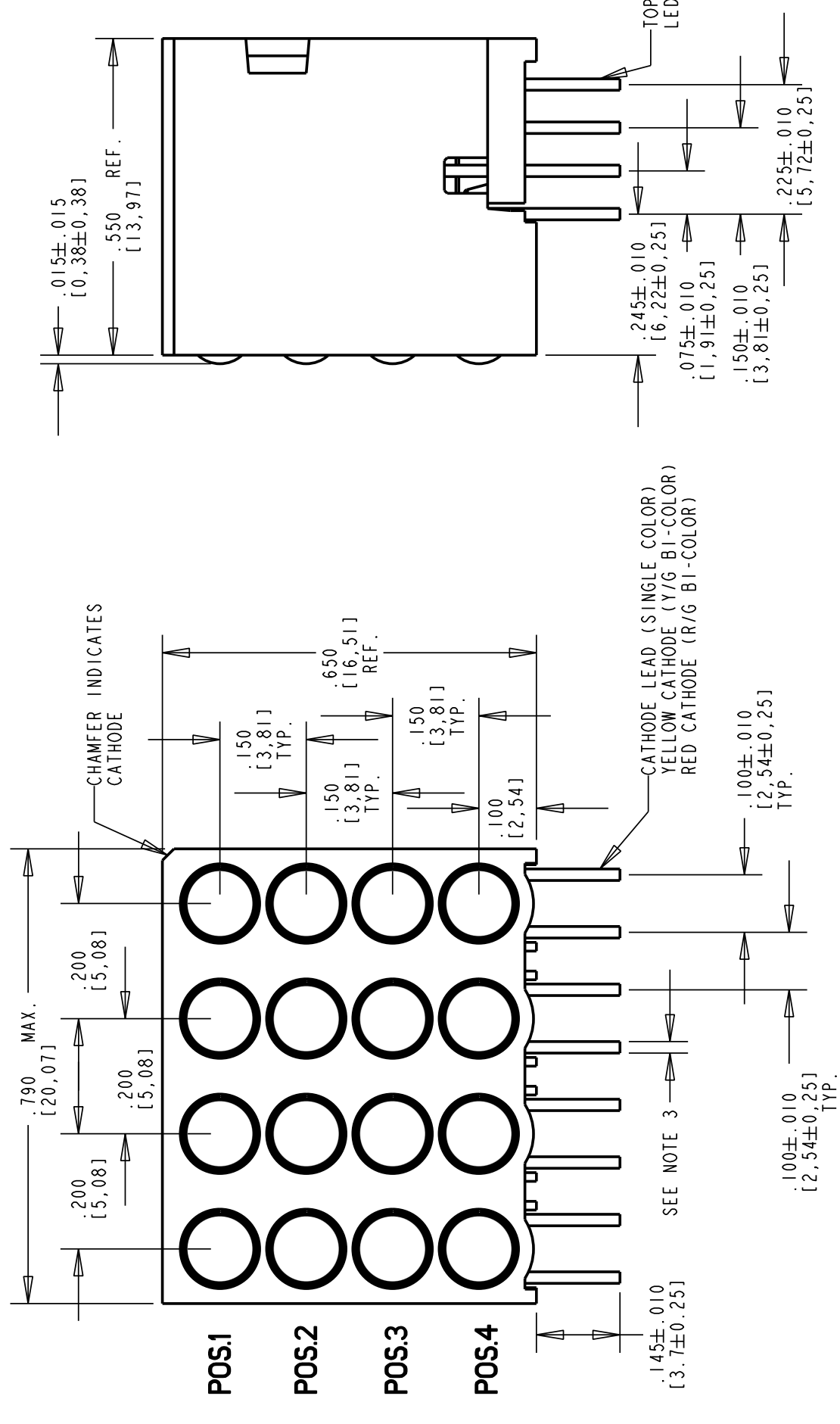
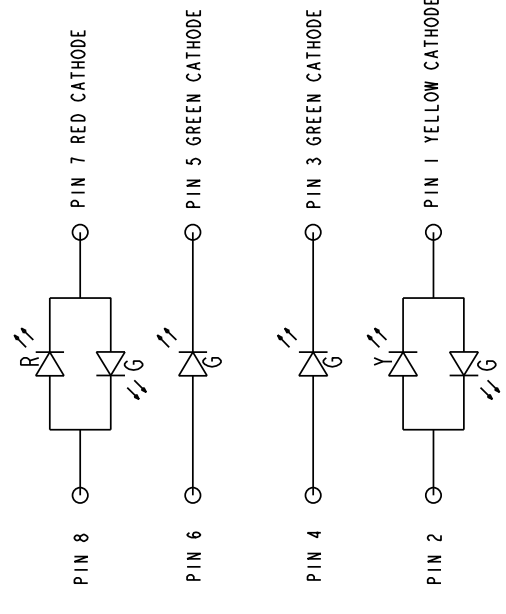


REV	ECN NO	REVISIONS	DRN	CKD	APP	DATE
A		NEW RELEASE	TWC	NO	MES	11-12-05
B	06060201	CORRECTED DIMENSIONS IN THE RECOMMENDED HOLE PATTERN TO MATCH ACTUAL LEAD PATTERN			SM	

- NOTES:
- LEADS TO FIT INTO HOLES SPACED AS PER HOLE PATTERN
 - LEADS TO BE FREE OF DEFORMATION AFTER BENDING AND CUTTING
 - PIN NUMBERS FOR REFERENCE ONLY, DESIGNATION NON-EXISTENT ON PART
 - .020 SQ. NOM. (POS. 1)
 - .018 X .016 NOM. (POS. 2, 3, 4)
 - PACKAGING = 500 BLOCKS / BOX
 - DIALIGHT PART NUMBER = 568-0016-821F

LED COLOR
POS. 1 RED / GREEN BI-COLOR
POS. 2 GREEN
POS. 3 GREEN
POS. 4 YELLOW / GREEN BI-COLOR

LED SCHEMATICS (REF.)



CHARACTERISTICS	OPERATING CHARACTERISTICS AT 25°C AMBIENT			TEST CONDITIONS		
	COLOR	MIN	TYP	MAX	UNITS	TEST CONDITIONS
LUMINOUS INTENSITY	GREEN	4.7	12.6			I _r = 10 mA
	RED/GREEN	2.5/3.7	4.7/10.0			
	YELLOW/GREEN	2.5	4.3/6.3			
FORWARD VOLTAGE	RED/GREEN	2.1	2.8			I _r = 20 mA
	YELLOW/GREEN	2.0/2.1	2.8			
PEAK WAVELENGTH	GREEN	565				nm
	RED/GREEN	635/565				
	YELLOW/GREEN	585/565				
VIEWING ANGLE (2 θ 1/2)	GREEN	60				Degree
	YELLOW/GREEN	80				
REVERSE CURRENT	GREEN			100		mA
	YELLOW/GREEN				V _r = 5V	

ABSOLUTE MAXIMUM RATING AT 25 °C AMBIENT	GREEN			RED/GRN			YEL/GRN			UNITS		
	MIN	TYP	MAX	MIN	TYP	MAX	MIN	TYP	MAX	MIN	TYP	MAX
POWER DISSIPATION												
DERATE LINEARLY FROM 50 °C												
CONTINUOUS FORWARD CURRENT												
PEAK FORWARD CURRENT (1/10 DUTY CYCLE, 0.1 ms PULSE WIDTH)												
REVERSE VOLTAGE												
LEAD SOLDERING TEMPERATURE, 5 SEC., 1/16" FROM BODY												
OPERATING TEMPERATURE												
STORAGE TEMPERATURE												

RoHS Compliant 568-0016-821F 4 X 4 Thru hole CBI

Part Numbers with the "C" suffix ending are RoHS Compliant.
Packaging is marked with "RoHS Compliant" label or equivalent markings.
Parts can be wave soldered, dip soldered or hand soldered using typical lead-free soldering process with max 260°C temp. for 5 sec.

THIS DRAWING AND THE CONTENTS HEREIN ARE CONFIDENTIAL AND THE SOLE PROPERTY OF DIALIGHT. REPRODUCTION OF THIS DRAWING OR CONSTRUCTION OF ANY PARTS WITHIN THIS DRAWING ARE FORBIDDEN WITHOUT THE WRITTEN CONSENT OF DIALIGHT.	
SCALE: 4.000	DRAWING NUMBER
ALL DIM'S IN: INCHES (MM)	C-17327
TOLERANCES: UNLESS OTHERWISE SPECIFIED	REV
FRACTIONS: ±1/64	B
DECIMALS (.XX): ±.01	TITLE
DECIMALS (.XXX): ±.005	(4 X 4) CBI BLOCK
DECIMALS (.XXXX): ±.0005	RoHS COMPLIANT
ANGLES: ±1°	MATERIAL
FINISH:	
FSCM 83330	1501 ROUTE 34 SOUTH FARMINGDALE, NJ 07727
SHEET 1 OF 1	FAMILY TABLE: