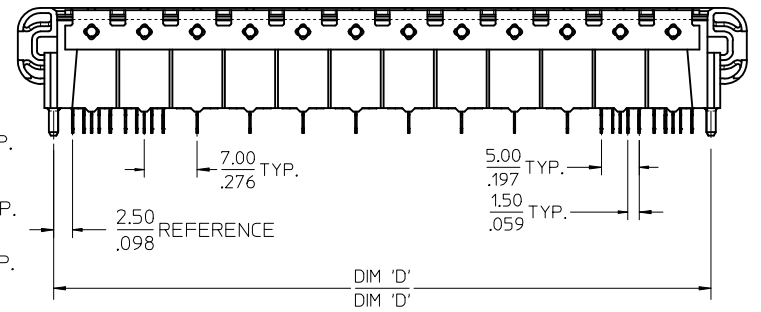
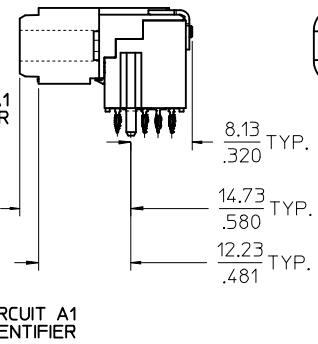
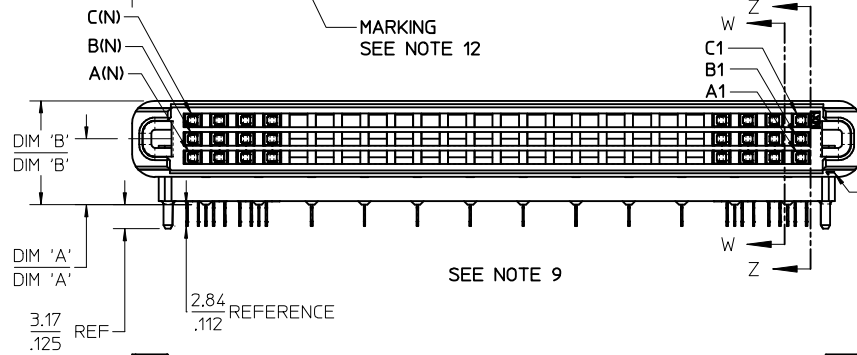
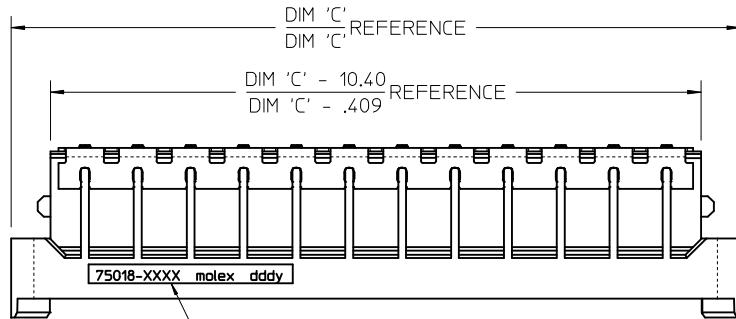


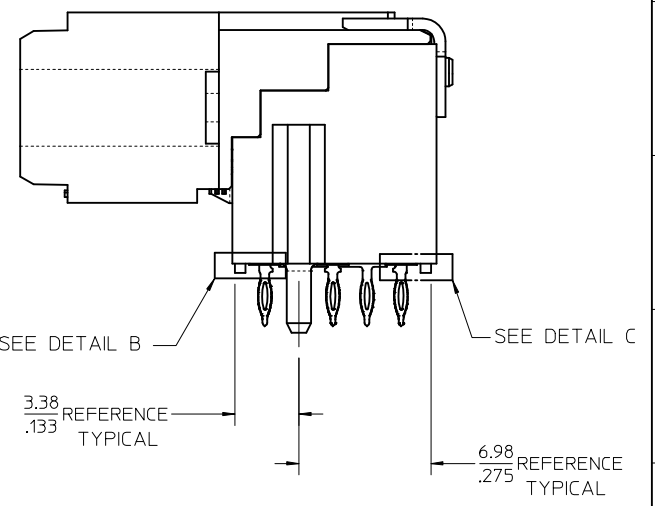
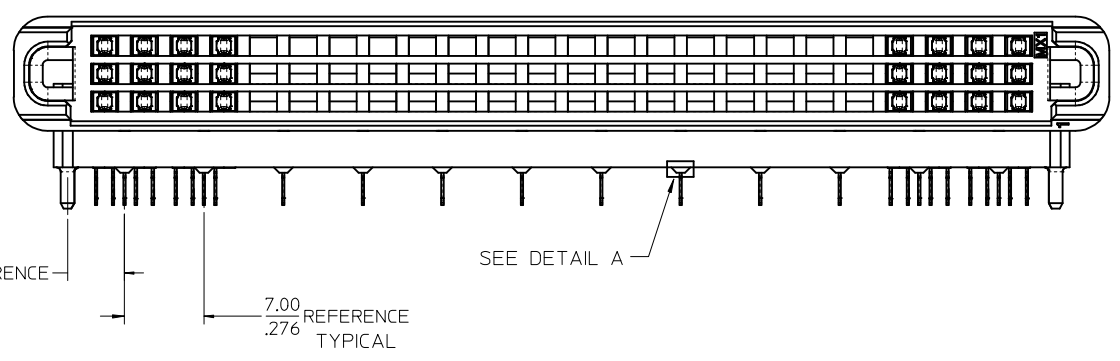
NOTES:

- 1) MATERIALS:
HOUSING - LIQUID CRYSTAL POLYMER, UL94 V-0
WAFER DIELECTRIC - LIQUID CRYSTAL POLYMER, UL94 V-0
CONTACT - COPPER ALLOY
- 2) FINISHES: SEE SHEET 2
- 3) PRODUCT SPECIFICATION: THIS PART CONFORMS TO MOLEX SPECIFICATION PS-75018-001.
- 4) PACKAGING SPECIFICATION: THIS PART TO BE PACKAGED PER SPECIFICATION PK-75020-030.
- 5) APPLICATION SPECIFICATION: THIS PART TO BE APPLIED PER SPECIFICATION PS-75018-001. APPLICATION TOOL AND INSTRUCTIONS PER AS-75018-001.
- 6) MATING INFORMATION
THIS PART MATES WITH 75019-XXXX.
WILL MATE WITH MAXIMUM 1.27mm MIS-ALIGNMENT.
WILL MATE WITH MAXIMUM 0.5° MIS-ALIGNMENT.
- 7) FOR CIRCUIT DESIGNATION SEE SHEET 3
- 8) FOR PCB INFORMATION SEE SHEET 3
- 9) CIRCUITS IN THIS ZONE HAVE BEEN OMITTED TO SIMPLIFY THE MODEL. ACTUAL PRODUCT IS FULLY LOADED WITH TERMINALS.
- 10) APPLICATION TOOLING KEEP OUT AREA. NO COMPONENTS ALLOWED IN THIS AREA.
- 11) CONFORMS TO MOLEX COSMETIC SPECIFICATION PS-45499-002 & PS-45499-003, CLASS C.
- 12) MARKING: PART NUMBER, MOLEX LOGO, DATE CODE
- 13) RECOMMENDED DRILL SIZE 0.66±0.03 TO YIELD FINISHED PLATED THROUGH HOLE OF 0.55±0.05

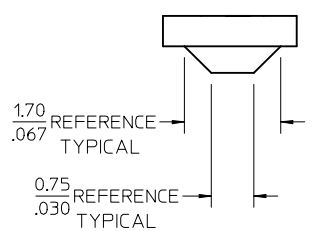


MOD PCB TAIL HOLE DIM EC NO: UCP2014-4737 DRWN: TIBARRA 2014/05/13 CHK: AMPOFF 2014/05/13 APPR: SMILLER 2014/05/12	DESCRIPTION REV:	QUALITY SYMBOLS ▽=0 ▽=0 ▽=0	GENERAL TOLERANCES (UNLESS SPECIFIED) <table border="1"> <tr> <th></th> <th>mm</th> <th>INCH</th> </tr> <tr> <td>4 PLACES</td> <td>± .005</td> <td>± .0005</td> </tr> <tr> <td>3 PLACES</td> <td>± .013</td> <td>± .01</td> </tr> <tr> <td>2 PLACES</td> <td>± 0.25</td> <td>± .01</td> </tr> <tr> <td>1 PLACE</td> <td>± .005</td> <td>± .0005</td> </tr> <tr> <td>0 PLACE</td> <td>± .005</td> <td>± .0005</td> </tr> </table>		mm	INCH	4 PLACES	± .005	± .0005	3 PLACES	± .013	± .01	2 PLACES	± 0.25	± .01	1 PLACE	± .005	± .0005	0 PLACE	± .005	± .0005	DIMENSION STYLE MM/IN	SCALE 2:1	DESIGN UNITS METRIC	THIRD ANGLE PROJECTION
			mm	INCH																					
		4 PLACES	± .005	± .0005																					
		3 PLACES	± .013	± .01																					
2 PLACES	± 0.25	± .01																							
1 PLACE	± .005	± .0005																							
0 PLACE	± .005	± .0005																							
DRAFT WHERE APPLICABLE MUST REMAIN WITHIN DIMENSIONS			DRAWN BY RWHIPPLE	DATE 2013/11/05	TITLE PLATEAU HS DOCK FIXED CONNECTOR NO GROUND FINGER		SHEET NO. 1 OF 3																		
APPROVED BY SMILLER			DATE 2013/11/19	MATERIAL NO. SEE TABLE		DOCUMENT NO. SD-75018-5000	THIS DRAWING CONTAINS INFORMATION THAT IS PROPRIETARY TO MOLEX. INCORPORATED AND SHOULD NOT BE USED WITHOUT WRITTEN PERMISSION																		
ANGULAR ±1/2°			SIZE C		MOLEX		INCORPORATED AND SHOULD NOT BE USED WITHOUT WRITTEN PERMISSION																		

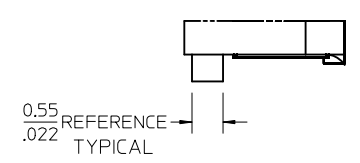
ITEM NUMBER	CIRCUIT SIZE	NO. OF COLUMNS 'N'	PLATING FINISH	CENTERLINE DIMENSION 'A' mm(in)	O/A HEIGHT DIMENSION 'B' mm(in)	O/A LENGTH DIMENSION 'C' mm(in)	PEG TO PEG DIMENSION 'D' mm(in)	FIRST-LAST DIMENSION 'E' mm(in)
75018-5021	144	24	FINISH 1	4.74 (.187)	9.78 (.385)	96.50 (3.799)	87.00 (3.425)	82.00 (3.228)
75018-5022	144	24	FINISH 1	5.74 (.226)	10.78 (.424)	96.50 (3.799)	87.00 (3.425)	82.00 (3.228)
75018-5023	144	24	FINISH 1	8.74 (.344)	13.78 (.543)	96.50 (3.799)	87.00 (3.425)	82.00 (3.228)
75018-5024	108	18	FINISH 1	4.74 (.187)	9.78 (.385)	75.50 (2.972)	66.00 (2.598)	61.00 (2.402)
75018-5025	108	18	FINISH 1	8.74 (.344)	13.78 (.543)	75.50 (2.972)	66.00 (2.598)	61.00 (2.402)
75018-5026	120	20	FINISH 1	4.74 (.187)	9.78 (.385)	82.50 (3.248)	73.00 (2.874)	68.00 (2.677)
75018-5027	108	18	FINISH 1	5.74 (.226)	10.78 (.424)	75.50 (2.972)	66.00 (2.598)	61.00 (2.402)
75018-5029	120	20	FINISH 1	5.74 (.226)	10.78 (.424)	82.50 (3.248)	73.00 (2.874)	68.00 (2.677)
75018-5221	144	24	FINISH 2	4.74 (.187)	9.78 (.385)	96.50 (3.799)	87.00 (3.425)	82.00 (3.228)
75018-5224	108	18	FINISH 2	4.74 (.187)	9.78 (.385)	75.50 (2.972)	66.00 (2.598)	61.00 (2.402)



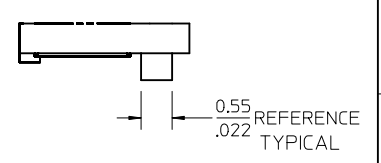
- 1) PLATING FINISHES:
- FINISH 1:
- CONTACT INTERFACE
 - 0.76 MICROMETERS/30 MICROINCHES MINIMUM SELECT GOLD
 - NICKEL UNDERPLATE OVERALL
 - COMPLIANT INTERFACE
 - 0.76 MICROMETERS/30 MICROINCHES MINIMUM SELECT MATTE-TIN OVER
 - NICKEL UNDERPLATE OVERALL
 - HOUSING
 - 3.81 MICROMETERS/150 MICROINCHES MINIMUM NICKEL OVER
 - COPPER UNDERPLATE OVERALL
- FINISH 2:
- CONTACT INTERFACE
 - 0.76 MICROMETERS/30 MICROINCHES MINIMUM SELECT GOLD
 - NICKEL UNDERPLATE OVERALL
 - COMPLIANT INTERFACE
 - 0.76 MICROMETERS/30 MICROINCHES MINIMUM SELECT MATTE-TIN OVER
 - NICKEL UNDERPLATE OVERALL
 - HOUSING
 - 0.10 MICROMETERS/4 MICROINCHES MAXIMUM GOLD OVER
 - 3.81 MICROMETERS/150 MICROINCHES MINIMUM NICKEL OVER
 - COPPER UNDERPLATE OVERALL



DETAIL A
SCALE 15:1

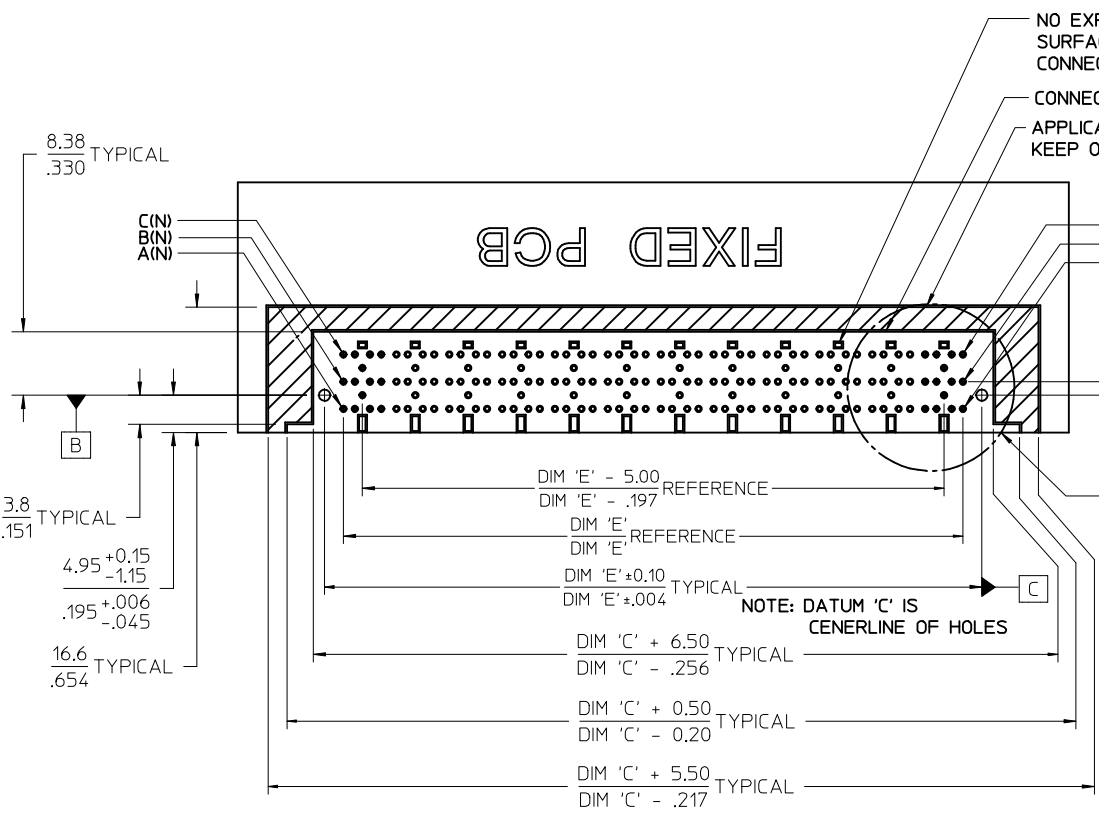


DETAIL B
SCALE 15:1



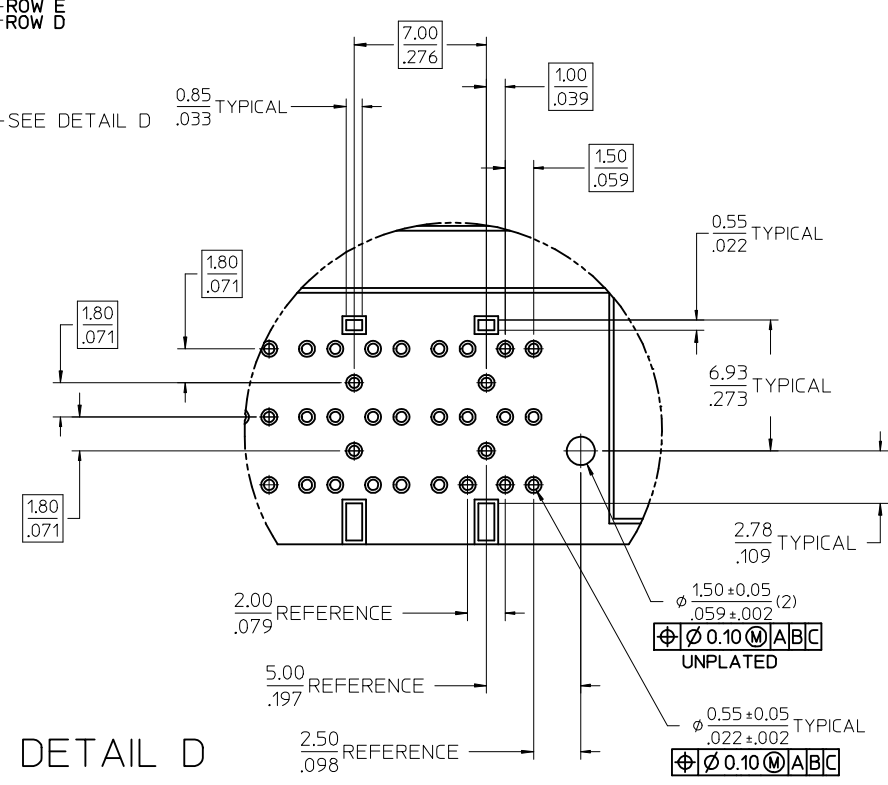
DETAIL C
SCALE 15:1

SEE SHEET 1 EC NO: UCP2014-4737 DRWNT:IBARRA 2014/05/13 CHKD:MPOFF 2014/05/13 APPR:SMILLER 2014/05/22	QUALITY SYMBOLS ∇=0 ∇=0 ∇=0	GENERAL TOLERANCES (UNLESS SPECIFIED)		DIMENSION STYLE	SCALE	DESIGN UNITS	THIRD ANGLE PROJECTION	
				MM/IN	3:1	METRIC		
				DRAWN BY	DATE	PLATEAU HS DOCK FIXED CONNECTOR NO GROUND FINGER molex		
				RWHIPPLE	2013/11/05			
		APPROVED BY		DATE	DOCUMENT NO. SD-75018-5000			
		SMILLER		2013/11/19				
		ANGULAR ±1/2°		MATERIAL NO.		SHEET NO.		
		DRAFT WHERE APPLICABLE MUST REMAIN WITHIN DIMENSIONS		SEE TABLE		2 OF 3		
		THIS DRAWING CONTAINS INFORMATION THAT IS PROPRIETARY TO MOLEX INCORPORATED AND SHOULD NOT BE USED WITHOUT WRITTEN PERMISSION						

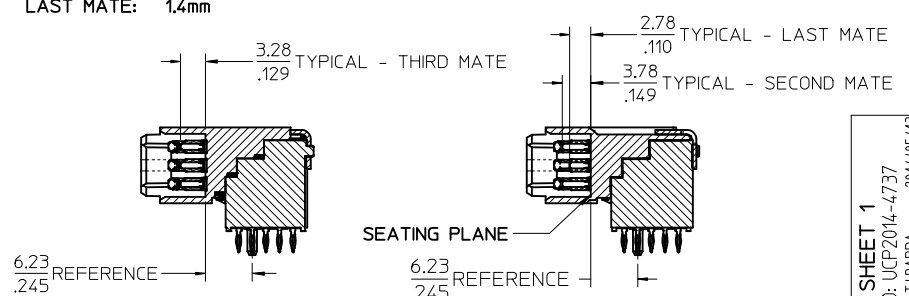


NO EXPOSED TRACES ON SURFACE OF PCB IN CONNECTOR STAND OFF LOCATIONS
 CONNECTOR KEEP OUT AREA
 APPLICATION TOOLING KEEP OUT AREA (NOTES 5 & 10)

CIRCUIT DESIGNATION
 FIRST MATE: HOUSING - SIGNAL GROUND
 SECOND MATE: A1, C1, A(N), C(N) (FOR POWER RETURN)
 THIRD MATE: A2, B2, C2, A(N-1), B(N-1), C(N-1) & ALL OTHERS (A2, C2, A(N-1) & C(N-1) FOR POWER) (ALL OTHERS SIGNAL)
 LAST MATE: B1, B(N) (FOR CARD DETECT)
 ALL COLUMNS FROM 3 THROUGH (N-2) ARE SUITABLE FOR DIFFERENTIAL PAIRS
 EG: A3-A4, B3-B4, C3-C4, A(N-2)-A(N-3), B(N-2)-B(N-3)
 SIGNAL GROUND: ROWS D & E



NOMINAL WIPE - FULL SEATED
 FIRST MATE: 7.2mm
 SECOND MATE: 2.4mm
 THIRD MATE: 1.9mm
 LAST MATE: 1.4mm



DETAIL D
 SCALE 5:1

SEE SHEET 1 EC NO: UCP2014-4737 DRWN: TIBARRA 2014/05/13 CHKD: MPOFF 2014/05/13 APPR: SMILLER 2014/05/17	QUALITY SYMBOLS ▽=0 ▽=0 ▽=0	GENERAL TOLERANCES (UNLESS SPECIFIED)		DIMENSION STYLE MM/IN		SCALE 2:1	DESIGN UNITS METRIC	THIRD ANGLE PROJECTION	
		mm		INCH		DRAWN BY RWHIPPLE		DATE 2013/11/05	
		4 PLACES ± --- ± ---		3 PLACES ± --- ± .005		CHECKED BY		DATE	
		2 PLACES ± 0.13 ± .01		1 PLACE ± 0.25 ± ---		APPROVED BY SMILLER		DATE 2013/11/19	
0 PLACE ± ±		ANGULAR ±1/2°		MATERIAL NO. SEE TABLE		DOCUMENT NO. SD-75018-5000		SHEET NO. 3 OF 3	
DRAFT WHERE APPLICABLE MUST REMAIN WITHIN DIMENSIONS		SIZE C		THIS DRAWING CONTAINS INFORMATION THAT IS PROPRIETARY TO MOLEX INCORPORATED AND SHOULD NOT BE USED WITHOUT WRITTEN PERMISSION					

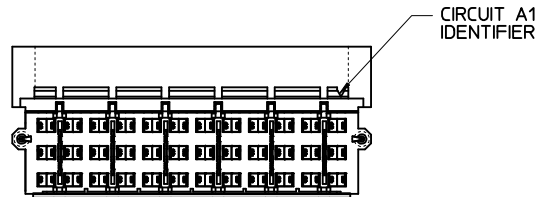
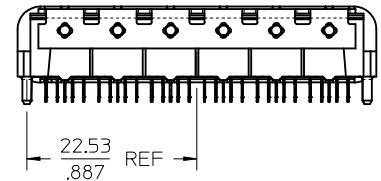
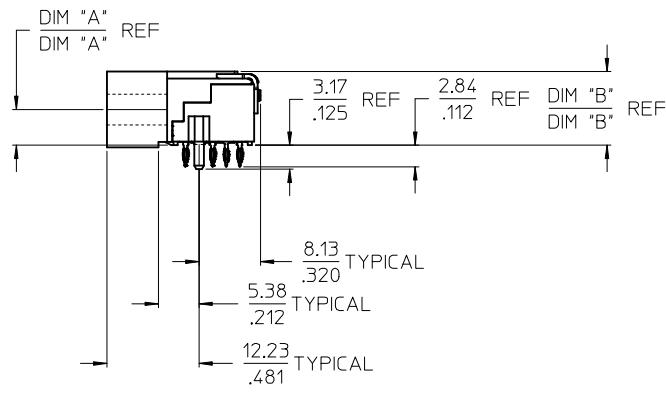
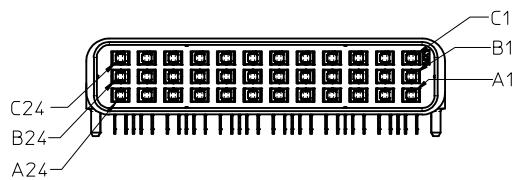
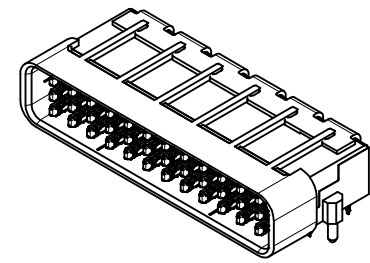
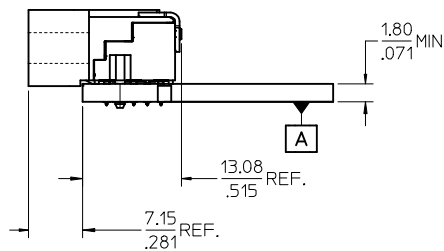
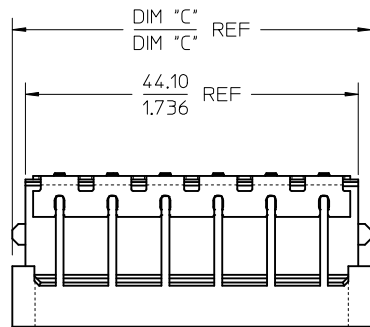
SECTION W-W

SECTION Z-Z

PLATEAU HS DOCK
 FIXED CONNECTOR
 NO GROUND FINGER

molex

ITEM NUMBER	CIRCUIT SIZE	NO. OF COLUMNS 'N'	PLATING FINISH	CENTERLINE DIMENSION 'A' mm(in)	O/A HEIGHT DIMENSION 'B' mm(in)	O/A LENGTH DIMENSION 'C' mm(in)	PEG TO PEG DIMENSION 'D' mm(in)	FIRST-LAST DIMENSION 'E' mm(in)
75018-5100	72	12	FINISH 1	4.74 (.187)	9.78 (.385)	47.50 (1.870)	45.00 (1.722)	40.00 (1.575)
75018-6100	72	12	FINISH 2	4.74 (.187)	9.78 (.385)	47.50 (1.870)	45.00 (1.722)	40.00 (1.575)



- NOTES:
- 1) MATERIALS:
HOUSING - LIQUID CRYSTAL POLYMER, UL94 V-0
WAFER DIELECTRIC - LIQUID CRYSTAL POLYMER, UL94 V-0
CONTACT - COPPER ALLOY
 - 2) FINISHES: SEE SHEET 2
 - 3) PRODUCT SPECIFICATION: THIS PART CONFORMS TO MOLEX SPECIFICATION PS-75018-001.
 - 4) PACKAGING SPECIFICATION: THIS PART TO BE PACKAGED PER SPECIFICATION PK-75020-030.
 - 5) APPLICATION SPECIFICATION: THIS PART TO BE APPLIED PER SPECIFICATION PS-75018-001, APPLICATION TOOL AND INSTRUCTIONS PER AS-75018-001.
 - 6) MATING INFORMATION
THIS PART MATES WITH 75019-XXXX.
WILL MATE WITH MAXIMUM 1.27mm MIS-ALIGNMENT.
WILL MATE WITH MAXIMUM 0.5° MIS-ALIGNMENT.
 - 7) FOR CIRCUIT DESIGNATION SEE SHEET 3
 - 8) FOR PCB INFORMATION SEE SHEET 3
 - 9) CIRCUITS IN THIS ZONE HAVE BEEN OMITTED TO SIMPLIFY THE MODEL. ACTUAL PRODUCT IS FULLY LOADED WITH TERMINALS.
 - 10) APPLICATION TOOLING KEEP OUT AREA, NO COMPONENTS ALLOWED IN THIS AREA.
 - 11) CONFORMS TO MOLEX COSMETIC SPECIFICATION PS-45499-002 & PS-45499-003, CLASS C.
 - 12) MARKING: PART NUMBER, MOLEX LOGO, DATE CODE
 - 13) RECOMMENDED DRILL SIZE 0.66±0.03 TO YIELD FINISHED PLATED THROUGH HOLE OF 0.55±0.05

INITIAL RELEASE EC NO: UCP2015-0969 DRAWN BY: RWHIPPLE 2014/09/09 CHKD: TIBARRA 2014/09/09 APPR: SMILLER 2014/09/22	QUALITY SYMBOLS ▽=0 ▽=0 ▽=0	GENERAL TOLERANCES (UNLESS SPECIFIED)		DIMENSION STYLE MM/IN		SCALE 2:1	DESIGN UNITS METRIC	THIRD ANGLE PROJECTION	
		4 PLACES ± --- ± ---	3 PLACES ± --- ± .005	2 PLACES ± 0.13 ± .01	1 PLACE ± 0.25 ± ---	0 PLACE ± ±	DRAWN BY DATE RWHIPPLE 2014/09/09		CHECKED BY DATE TIBARRA 2014/09/09
A	REV	ANGULAR ±1/2°		MATERIAL NO.		DOCUMENT NO.		SHEET NO.	
		DRAFT WHERE APPLICABLE MUST REMAIN WITHIN DIMENSIONS		SEE TABLE		SD-75018-5100		1 OF 2	
THIS DRAWING CONTAINS INFORMATION THAT IS PROPRIETARY TO MOLEX INCORPORATED AND SHOULD NOT BE USED WITHOUT WRITTEN PERMISSION									

1) PLATING FINISHES:

FINISH 1:

CONTACT INTERFACE

0.76 MICROMETERS/30 MICROINCHES MINIMUM SELECT GOLD
NICKEL UNDERPLATE OVERALL

COMPLIANT INTERFACE

0.76 MICROMETERS/30 MICROINCHES MINIMUM SELECT MATTE-TIN OVER
NICKEL UNDERPLATE OVERALL

HOUSING

3.81 MICROMETERS/150 MICROINCHES MINIMUM NICKEL OVER
COPPER UNDERPLATE OVERALL

FINISH 2:

CONTACT INTERFACE

0.76 MICROMETERS/30 MICROINCHES MINIMUM SELECT GOLD
NICKEL UNDERPLATE OVERALL

COMPLIANT INTERFACE

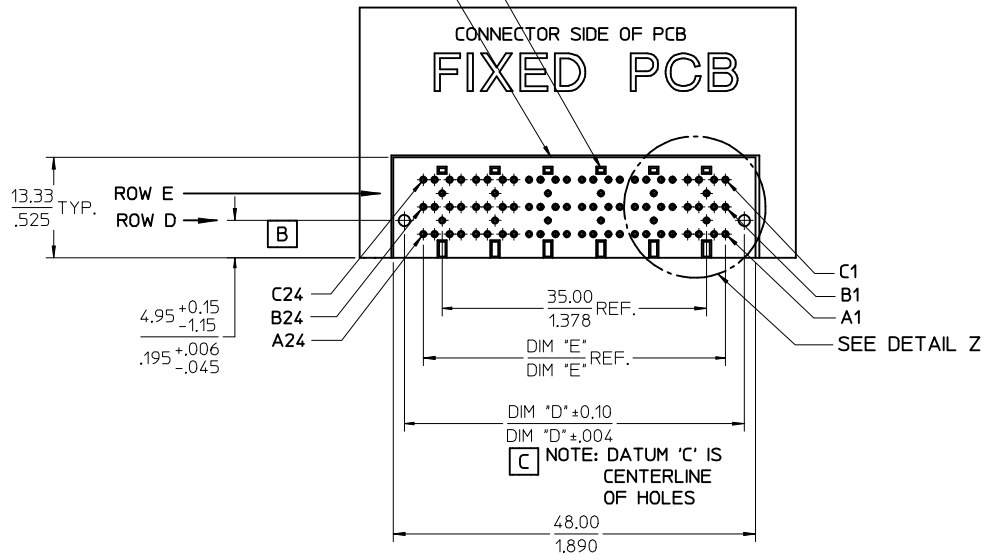
0.76 MICROMETERS/30 MICROINCHES MINIMUM SELECT MATTE-TIN OVER
NICKEL UNDERPLATE OVERALL

HOUSING

0.10 MICROMETERS/4 MICROINCHES MAXIMUM GOLD OVER
3.81 MICROMETERS/150 MICROINCHES MINIMUM NICKEL OVER
COPPER UNDERPLATE OVERALL

NO EXPOSED TRACES ON
SURFACE OF PCB IN
CONNECTOR STAND OFF LOCATIONS

CONNECTOR KEEP OUT AREA



SEE SHEET 1 EC NO: UCP2015-0969 DRAWN: RWHIPPLE 2014/09/09 CHKD: TIBARRA 2014/09/09 APPR: SMILLER 2014/09/22	QUALITY SYMBOLS ▽=0 ▽=0 ▽=0	GENERAL TOLERANCES (UNLESS SPECIFIED)		DIMENSION STYLE MM/IN	SCALE 2:1	DESIGN UNITS METRIC	THIRD ANGLE PROJECTION	
		4 PLACES ± --- ± ---	DRAWN BY RWHIPPLE	DATE 2014/09/09	TITLE PLATEAU HS DOCK FIXED CONNECTOR NO GROUND FINGER			
		3 PLACES ± --- ± .005	CHECKED BY TIBARRA	DATE 2014/09/09				
		2 PLACES ± 0.13 ± .01	APPROVED BY SMILLER		DATE 2014/09/22	molex DOCUMENT NO. SD-75018-5100		
1 PLACE ± 0.25 ± ---	MATERIAL NO.		DATE	SHEET NO. 2 OF 2				
0 PLACE ± ±	ANGULAR ±1/2°		DRAFT WHERE APPLICABLE MUST REMAIN WITHIN DIMENSIONS		THIS DRAWING CONTAINS INFORMATION THAT IS PROPRIETARY TO MOLEX INCORPORATED AND SHOULD NOT BE USED WITHOUT WRITTEN PERMISSION			