

THIS DRAWING IS UNPUBLISHED.

RELEASED FOR PUBLICATION

© COPYRIGHT - By -

ALL RIGHTS RESERVED.

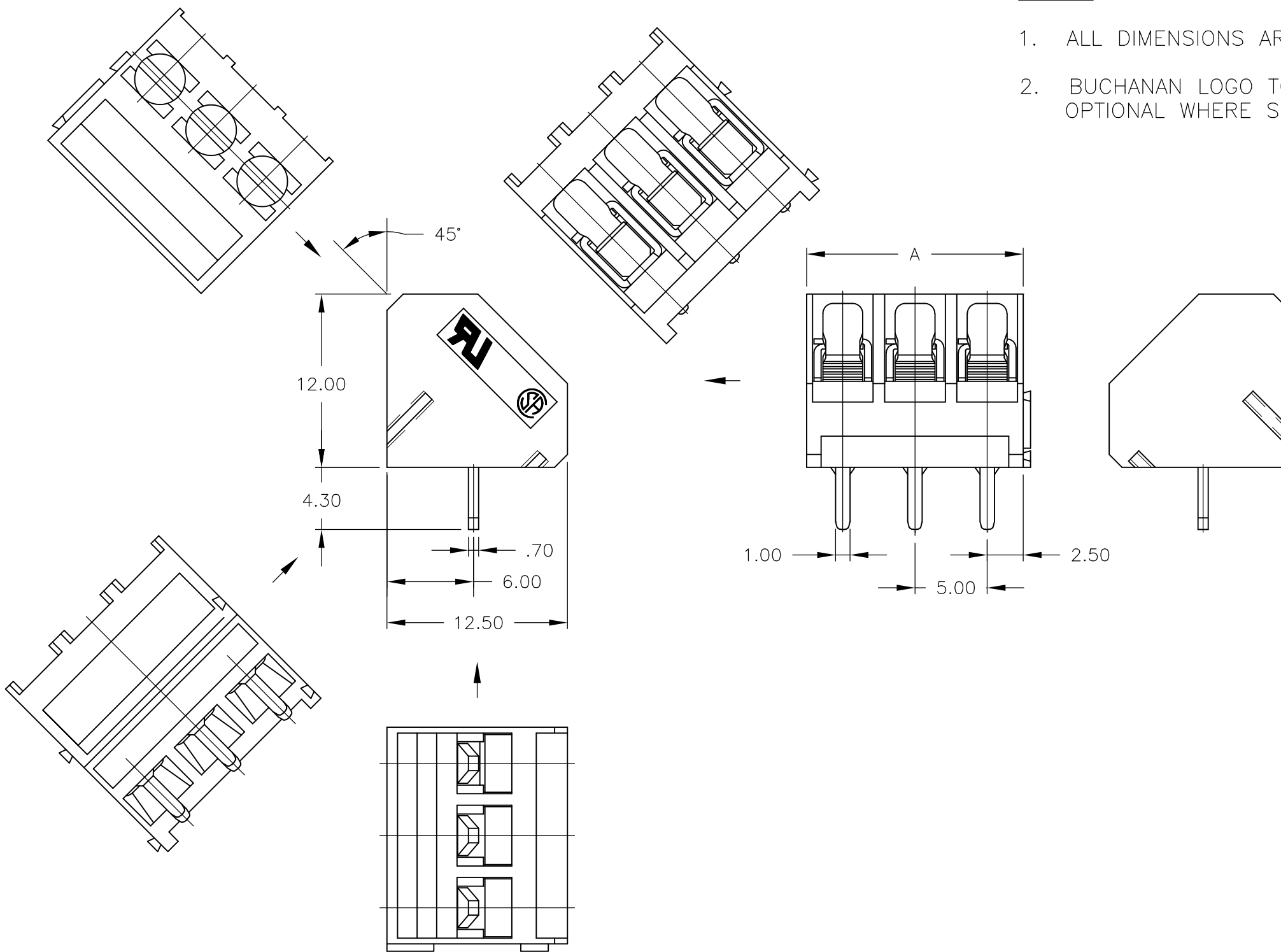
LOC FT DIST 0

REVISIONS


P	LTR	DESCRIPTION	DATE	DWN	APVD
P		REVISED PER ECO-11-004820	11MAR11	RK	HMR

NOTES:

1. ALL DIMENSIONS ARE IN MM.
2. BUCHANAN LOGO TO APPEAR ON HOUSING LOCATION OPTIONAL WHERE SPACE PERMITS.



120.00	24	2-1776252-4
115.00	23	2-1776252-3
110.00	22	2-1776252-2
105.00	21	2-1776252-1
100.00	20	2-1776252-0
95.00	19	1-1776252-9
90.00	18	1-1776252-8
85.00	17	1-1776252-7
80.00	16	1-1776252-6
75.00	15	1-1776252-5
70.00	14	1-1776252-4
65.00	13	1-1776252-3
60.00	12	1-1776252-2
55.00	11	1-1776252-1
50.00	10	1-1776252-0
45.00	9	1776252-9
40.00	8	1776252-8
35.00	7	1776252-7
30.00	6	1776252-6
25.00	5	1776252-5
20.00	4	1776252-4
15.00	3	1776252-3
10.00	2	1776252-2
DIM. A	NO. OF POS.	PART NUMBER

THIS DRAWING IS A CONTROLLED DOCUMENT.		DWN S SCHLEGEL 5/5/05	 <b>TE Connectivity</b>		
DIMENSIONS: mm		CHK C RICHARD 5/5/05			
TOLERANCES UNLESS OTHERWISE SPECIFIED:		APVD C RICHARD 5/5/05	NAME		
0 PLC ± -		PRODUCT SPEC	TERMINAL BLOCK 45 DEGREE WIRE INLET		
1 PLC ± .3		APPLICATION SPEC	W/ INTERLOCK, 5.0mm PITCH, HIGH TEMP		
2 PLC ± .25		WEIGHT -	SIZE	CAGE CODE	DRAWING NO
3 PLC ± -		MATERIAL -	A3 00779		C-1776252
4 PLC ± -			CUSTOMER DRAWING		RESTRICTED TO -
ANGLES ± -		SCALE NTS		SHEET 1 OF 2	REV P
FINISH -					

THIS DRAWING IS UNPUBLISHED. RELEASED FOR PUBLICATION  
 © COPYRIGHT - By - ALL RIGHTS RESERVED.

LOC	DIST	REVISIONS			
P	LTR	DESCRIPTION	DATE	DWN	APVD
FT	0	-	SEE SHEET 1	-	-

## 1. Application and Features:

- 1-1. This series of terminal block has a built-in self lift wire guard clamp to protect against wire pinching.
- 1-2. Standard sizes are 2 and 3 way-blocks, but every number of contact can be combined, by simply plugging them together and can be ordered as required\*\*
- 1-3. Since the wire inlet and the screw are in a 45° position, these terminal blocks are designed specifically to solve poor accessibility problems.—

## 2-2. Electrical:

- 2-2-1. Current rating: 10 Amps max.
- 2-2-2. Contact resistance: 20m Ω (Max).
- 2-2-3. Insulation resistance: 5000MΩ /1000V.
- 2-2-4. Withstanding Voltage: 1500VAC (1min).  
test time =60sec/1pcs
- 2-2-5. Operation Voltage: 300V AC/DC.
- 2-2-6. Wire Range: 14-22 AWG.


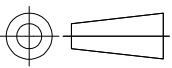
## 2. Technical Data:

### 2-1. Material:

- 2-1-1. HOUSING: HIGH TEMP. POLYAMIDE  
UL 94 V-0 (Blue).
- 2-1-2. Contact: Brass(Cu Zn), Tin plated.
- 2-1-3. Screw: Steel galvanized and  
chromatized, M2.6

### 2-3. Mechanical:

- 2-3-1. Torque: 4 Kg.cm (Max).
- 2-3-2. Operating temperature: -55°C to +105°C.
- 2-3-3. Solderability: 95% coverage (min).  
test temperature=230°C±10°C  
test time= 3sec ± 0.5sec.

THIS DRAWING IS A CONTROLLED DOCUMENT.		DWN	S	SCHLEGEL	5/5/05	 TE Connectivity				
DIMENSIONS: mm		CHK	C	RICHARD	5/5/05					
		APVD	C	RICHARD	5/5/05	NAME				
TOLERANCES UNLESS OTHERWISE SPECIFIED:		PRODUCT SPEC		TERMINAL BLOCK 45 DEGREE WIRE INLET W/ INTERLOCK, 5.0mm PITCH, HIGH TEMP						
0 PLC ± -		APPLICATION SPEC		SIZE				CAGE CODE	DRAWING NO	RESTRICTED TO
1 PLC ± .3		MATERIAL		WEIGHT		A3		00779	C=1776252	-
2 PLC ± .25		FINISH		CUSTOMER DRAWING		SCALE		NTS	SHEET	2 OF 2
3 PLC ± -									REV	P
4 PLC ± -										
ANGLES ± -										