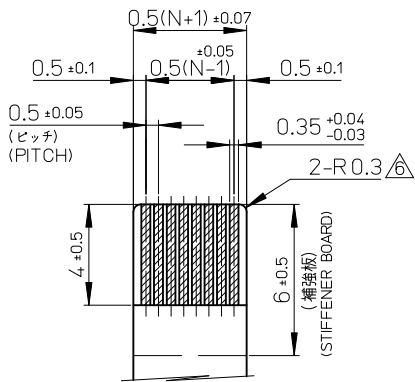


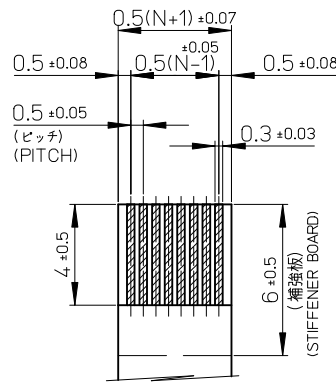
| | | | | | |
|------|------|-------|------|--------------------------------------|------------|
| 21.6 | 19.6 | 15.65 | 14.5 | 52435-3071 | 30 |
| 21.1 | 19.1 | 15.15 | 14.0 | 52435-2971 | 29 |
| 20.6 | 18.6 | 14.65 | 13.5 | 52435-2871 | 28 |
| 20.1 | 18.1 | 14.15 | 13.0 | 52435-2771 | 27 |
| 19.6 | 17.6 | 13.65 | 12.5 | 52435-2671 | 26 |
| 19.1 | 17.1 | 13.15 | 12.0 | 52435-2571 | 25 |
| 18.6 | 16.6 | 12.65 | 11.5 | 52435-2471 | 24 |
| 18.1 | 16.1 | 12.15 | 11.0 | 52435-2371 | 23 |
| 17.6 | 15.6 | 11.65 | 10.5 | 52435-2271 | 22 |
| 17.1 | 15.1 | 11.15 | 10.0 | 52435-2171 | 21 |
| 14.6 | 12.6 | 8.65 | 7.5 | 52435-1671 | 16 |
| D | C | B | (A) | EMBOSSED PACKAGE ORDER No. オーダー番号 | 極数 CKT. |

CONNECTOR SERIES NO. : 52435-**29

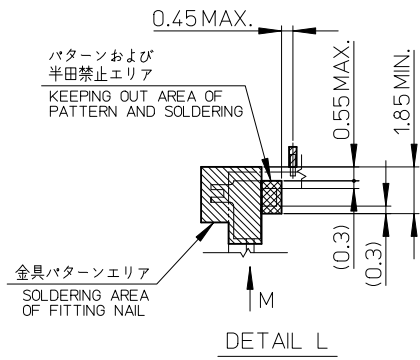
| | | | | | | |
|---|--|---------------|--|--------------------|--|---------------------------|
| REVISED EC NO. J2010-2580 DRWN:HYOSHINO 2010/06/24 CHKD:HSHIROYAMA 2010/06/29 APPR:KMORIKAWA 2010/07/02 | GENERAL TOLERANCES (UNLESS SPECIFIED) | | DIMENSION STYLE MM ONLY | SCALE 10:1 | DESIGN UNITS METRIC | THIRD ANGLE PROJECTION |
| | 10 UNDER | ± 0.2 | DRAWN BY M.UMEDA | DATE 2005/01/17 | TITLE 0.5 FPC CONN. ZIF FOR SMT R/A(TOP CONTACT) | |
| | 10 OVER 30 UNDER | ± 0.25 | CHECKED BY K.TOYODA | DATE 2005/01/17 | MOLEX INCORPORATED | |
| | 30 OVER | ± 0.3 | APPROVED BY N.UKITA | DATE 2005/01/17 | DOCUMENT NO. SD-52435-016 | SHEET NO. 1 OF 2 |
| REV | DESCRIPTION | ANGULAR ± 3 ° | MATERIAL NO. | SEE TABLE | | |
| DRAFT WHERE APPLICABLE MUST REMAIN WITHIN DIMENSIONS | | SIZE A3 | THIS DRAWING CONTAINS INFORMATION THAT IS PROPRIETARY TO MOLEX INCORPORATED AND SHOULD NOT BE USED WITHOUT WRITTEN PERMISSION | | | |



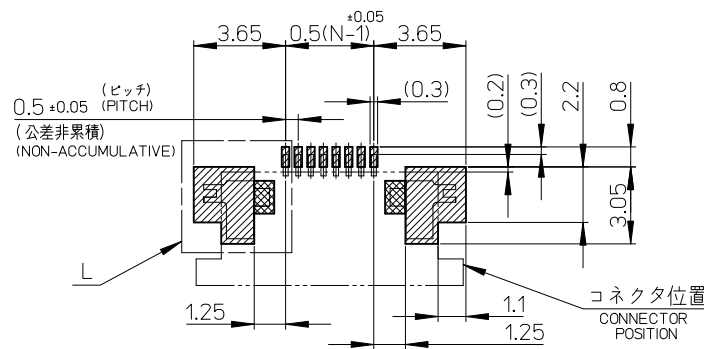
適合FPC推奨寸法
 APPLICABLE FPC
 RECOMMENDED DIMENSION
 (仕上がり厚さ : 0.3±0.05)
 (THICKNESS : 0.3±0.05)



適合FFC推奨寸法
 APPLICABLE FFC
 RECOMMENDED DIMENSION
 (仕上がり厚さ : 0.3±0.05)
 (THICKNESS : 0.3±0.05)

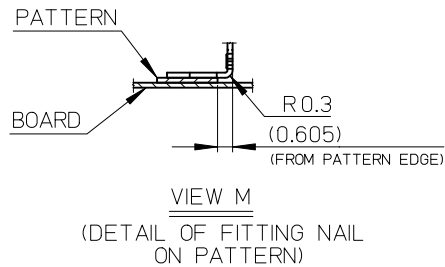


DETAIL L



参考基板レイアウト
 (マウント面)

RECOMMENDED P.C. BOARD
 PATTERN DIMENSION (REF.)
 (MOUNTING SIDE)

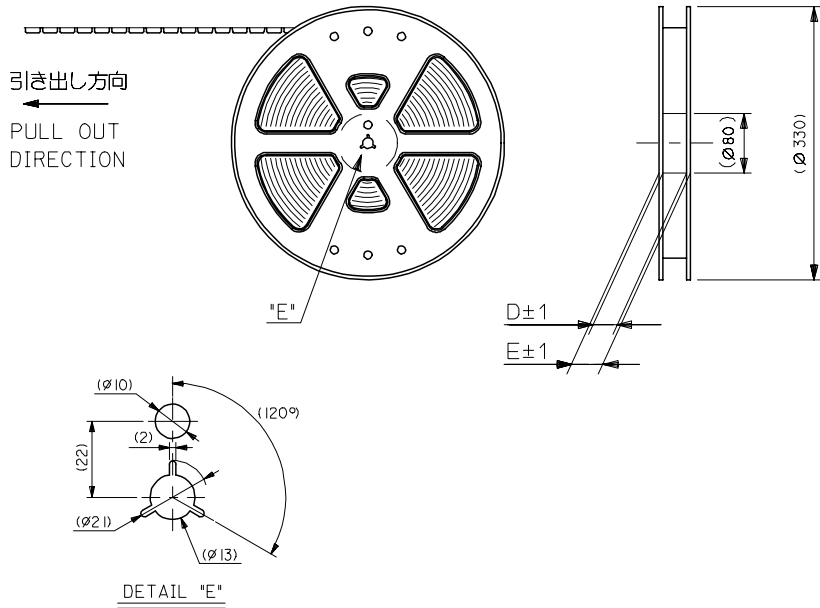


VIEW M
 (DETAIL OF FITTING NAIL
 ON PATTERN)

注記 NOTES

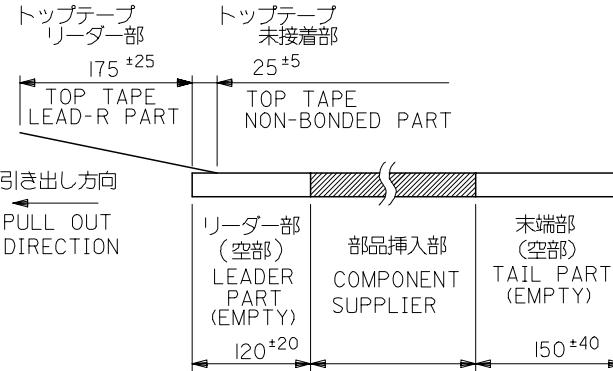
1. 使用材料 : MATERIAL
 ハウジング : 46ナイロン UL94V-0
 HOUSING : 46NYLON
 アクチュエータ : PPS UL94V-0
 ACTUATOR
 ターミナル : リン青銅 金メッキ(t=0.2)
 TERMINAL : PHOS-BRONZE GOLD-PLATED
 金具 : リン青銅 錫メッキ(t=0.2)
 FITTING NAIL : PHOS-BRONZE TIN-PLATED
2. エンボステープ梱包時は、アクチュエータがロックした状態とする。
 IN THE PACKAGE, ACTUATOR OF PART NO. 52435-**29 SHOULD BE LOCKED.
3. ソルダーテール半田付け面のズレ量、および金具半田付け面のズレ量は、基準面 H に対し上方向 0.1MAXIMUM、下方向 0.15MAXIMUM とし、相互のばらつきは 0.1MAXIMUM とする。
 MISALIGNMENT OF SOLDER TAILS AND FITTING NAILS FROM H
 UPPER DIRECTION : 0.1MAXIMUM, LOWER DIRECTION : 0.15MAXIMUM
 OFFSET BETWEEN UPPER AND LOWER : 0.1MAXIMUM.
4. 偶数極に適用。
 APPLY FOR EVEN CIRCUIT.
5. パターンはく離止め金具。
 FITTING NAIL FOR PREVENTION OF PEELING OF P.W.B PATTERN.
6. R0.3はFPCの導体部にかからないこと。
 R0.3 MUST NOT BE OVERLAPPED TO PATTERN OF FPC.
7. ELV および RoHS 適合品。
 ELV AND RoHS COMPLIANT.

| | | | | | | | | | |
|---|--------------------|---------------------------------------|-------|---|--------------------|---|------------------------|------------------------|--|
| REVISED EC NO: J2010-2580 DRWN:HYOSHINO 2010/06/24 CHKD:HSHIMUYAMA 2010/06/29 APPR:KMORIKAWA 2010/07/02 | DESCRIPTION REV | GENERAL TOLERANCES (UNLESS SPECIFIED) | | DIMENSION STYLE MM ONLY | | SCALE 5:1 | DESIGN UNITS METRIC | THIRD ANGLE PROJECTION | |
| | | 10 UNDER | ±0.2 | DRAWN BY M.UMEDA | DATE 2005/01/17 | TITLE 0.5 FPC CONN. ZIF FOR SMT R/A(TOP CONTACT) | | | |
| | | 10 OVER 30 UNDER | ±0.25 | CHECKED BY K.TOYODA | DATE 2005/01/17 | MOLEX INCORPORATED DOCUMENT NO. SD-52435-016 SHEET NO. 2 OF 2 | | | |
| | | 30 OVER | ±0.3 | APPROVED BY N.UKITA | DATE 2005/01/17 | | | | |
| ANGULAR ±3 ° DRAFT WHERE APPLICABLE MUST REMAIN WITHIN DIMENSIONS | | SEE TABLE | | THIS DRAWING CONTAINS INFORMATION THAT IS PROPRIETARY TO MOLEX INCORPORATED AND SHOULD NOT BE USED WITHOUT WRITTEN PERMISSION | | | | | |



注記 NOTES

- 製品番号 52435-***29 の梱包状態はアクチュエータがロックした状態とする。
詳細寸法については図面 RSD-52435-027 を参照下さい。
IN THE PACKAGE, ACTUATOR OF PART NO. 52435-***29 SHOULD BE LOCKED RE DETAILED DIMENSIONS, SEE RSD-52435-027
- 梱包数量：1000個/リール
NUMBER OF CONNECTORS: 1000PCS/REEL
- リードテープ長さ LEAD TAPE LENGTH



4. 材料 (MATERIAL)

キャリアテープ (CARRIER TAPE): ポリプロピレン (POLYPROPYLENE)
 トップテープ (TOPTAPE): PET, PE, PEF
 リール (REEL): ポリスチレン (PS) <リサイクル材を含む>
 POLYSTYREN (PS) <RECYCLE MATERIAL CONTAINED>

| | | | | | | | | |
|--|---------------------------------------|------------|---|--------------------|--|------------------------|------------------------|--|
| REVISED EC NO: J2006-2753 DRWN: TENAGASE 2006/03/03 CHKD: THARUYAMA 2006/03/10 APPR: NUKITA 2006/03/17 | GENERAL TOLERANCES (UNLESS SPECIFIED) | | DIMENSION STYLE MM ONLY | | SCALE --- | DESIGN UNITS METRIC | THIRD ANGLE PROJECTION | |
| | 10 UNDER | ±0.2 | DRAWN BY M.UMEDA | DATE 2005/01/17 | TITLE 0.5 FPC CONN. ZIF SMT RA WITH TAPE EMBSTP PKG -LEAD FREE- | | | |
| | 10 OVER 30 UNDER | ±0.25 | CHECKED BY K. TOYODA | DATE 2005/01/17 | | | | |
| | 30 OVER | ±0.3 | APPROVED BY N. UKITA | DATE 2005/01/17 | MOLEX INCORPORATED | | | |
| | ANGULAR | ±3 ° | MATERIAL NO. 52435-***71 | | | | | |
| DRAFT WHERE APPLICABLE MUST REMAIN WITHIN DIMENSIONS | | SIZE A3 | THIS DRAWING CONTAINS INFORMATION THAT IS PROPRIETARY TO MOLEX INCORPORATED AND SHOULD NOT BE USED WITHOUT WRITTEN PERMISSION | | | | | |

10 9 8 7 6 5 4 3 2 1

F

E

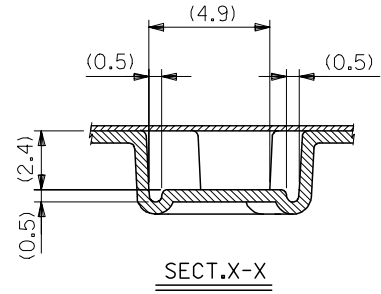
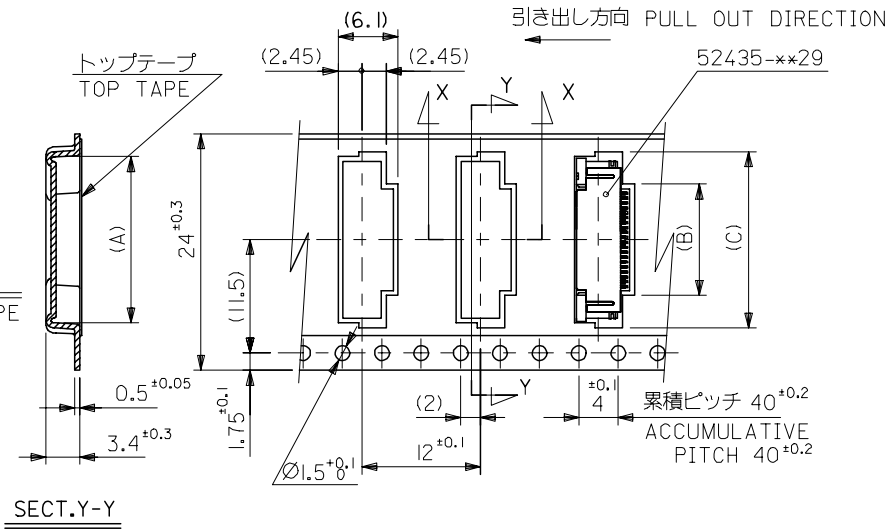
D

C

B

A

24mm幅キャリアテープ
24mm WIDTH CARRIER TAPE



| | | | | | | | |
|---|--------------------|--|------------------------|------|---------------------------|------------------------------|---------------------|
| 24 | 29.4 | 25.4 | 18.4 | 11.8 | 17.4 | 52435-2171 | 21 |
| | | | 15.9 | 9.3 | 14.9 | 52435-1671 | 16 |
| キャリアテープ幅 CARRIER TAPE WIDTH | E | D | (C) | (B) | (A) | MATERIAL NO. | 極数 CIRCUIT |
| DIMENSION STYLE MM ONLY | | SCALE --- | DESIGN UNITS METRIC | | THIRD ANGLE PROJECTION | | |
| DRAWN BY M.UMEDA | DATE 2005/01/17 | TITLE 0.5 FPC CONN. ZIF SMT RA WITH TAPE EMBSTP PKG -LEAD FREE- | | | | | |
| CHECKED BY K.TOYODA | DATE 2005/01/17 | MOLEX INCORPORATED | | | | | |
| APPROVED BY N.UKITA | DATE 2005/01/17 | MATERIAL NO. 52435-**71 | | | | DOCUMENT NO. SD-52435-017 | SHEET NO. 2 OF 4 |
| SIZE A3 THIS DRAWING CONTAINS INFORMATION THAT IS PROPRIETARY TO MOLEX INCORPORATED AND SHOULD NOT BE USED WITHOUT WRITTEN PERMISSION | | | | | | | |

| | | |
|--|--|-------|
| REVISED EC NO: J2006-2753 DRWN: TENAGASE 2006/03/03 CHKD: THARUYAMA 2006/03/10 APPR: NUKITA 2006/03/17 | GENERAL TOLERANCES (UNLESS SPECIFIED) | |
| | 10 UNDER | ±0.2 |
| | 10 OVER 30 UNDER | ±0.25 |
| | 30 OVER | ±0.3 |
| | ANGULAR | ±3 ° |
| DRAFT WHERE APPLICABLE MUST REMAIN WITHIN DIMENSIONS | | |

10 9 8 7 6 5 4 3 2 1

F

E

D

C

B

A

F

E

D

C

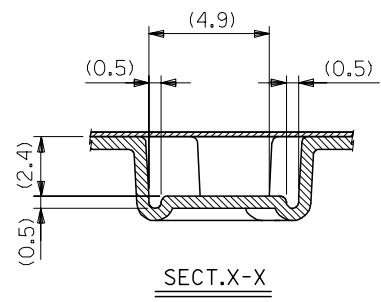
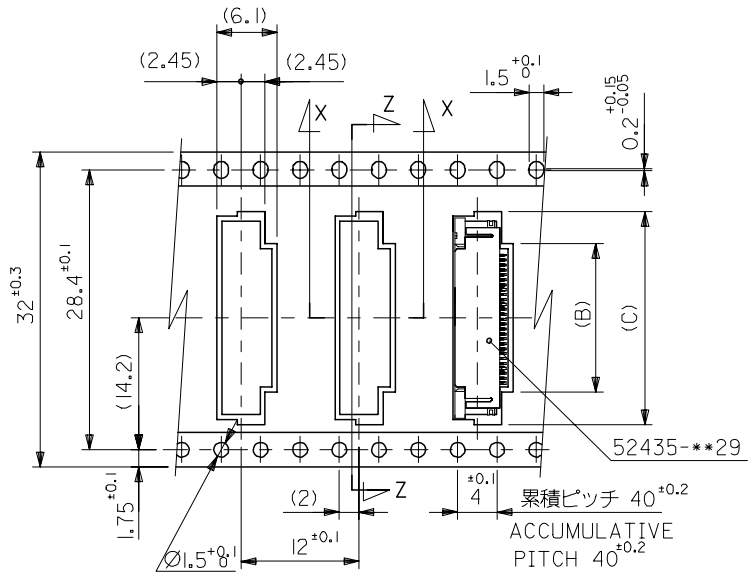
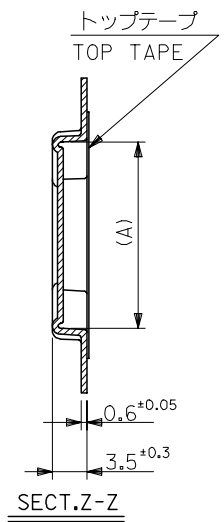
B

A

引き出し方向

PULL OUT DIRECTION

32mm幅キャリアテープ
32mm WIDTH CARRIER TAPE



| | | | | | | | |
|----|------|------|------|------|------|------------|----|
| 32 | 37.4 | 33.4 | 22.4 | 15.8 | 21.4 | 52435-2971 | 29 |
| | | | 21.9 | 15.3 | 20.9 | 52435-2871 | 28 |
| | | | 21.4 | 14.8 | 20.4 | 52435-2771 | 27 |
| | | | 20.9 | 14.3 | 19.9 | 52435-2671 | 26 |
| | | | 20.4 | 13.8 | 19.4 | 52435-2571 | 25 |
| | | | 19.9 | 13.3 | 18.9 | 52435-2471 | 24 |
| | | | 19.4 | 12.8 | 18.4 | 52435-2371 | 23 |
| | | | 18.9 | 12.3 | 17.9 | 52435-2271 | 22 |

キャリアテープ幅
CARRIER TAPE WIDTH

SCALE ---

DESIGN UNITS METRIC

THIRD ANGLE PROJECTION

REVISED
EC NO: J2006-2753
DRWN: TENAGASE 2006/03/03
CHKD: THARYAMA 2006/03/10
APPR: NUKITA 2006/03/17

GENERAL TOLERANCES (UNLESS SPECIFIED)

| | |
|------------------|-------|
| 10 UNDER | ±0.2 |
| 10 OVER 30 UNDER | ±0.25 |
| 30 OVER | ±0.3 |
| ANGULAR | ±3 ° |

DRAFT WHERE APPLICABLE MUST REMAIN WITHIN DIMENSIONS

DIMENSION STYLE MM ONLY

DRAWN BY M.UMEDA DATE 2005/01/17

CHECKED BY K.TOYODA DATE 2005/01/17

APPROVED BY N.NUKITA DATE 2005/01/17

MATERIAL NO. 52435-**71

TITLE 0.5 FPC CONN. ZIF SMT RA WITH TAPE EMBSTP PKG -LEAD FREE-

MOLEX INCORPORATED

DOCUMENT NO. SD-52435-017

SHEET NO. 3 OF 4

10 9 8 7 6 5 4 3 2 1

F

F

E

E

D

D

C

C

B

B

A

A

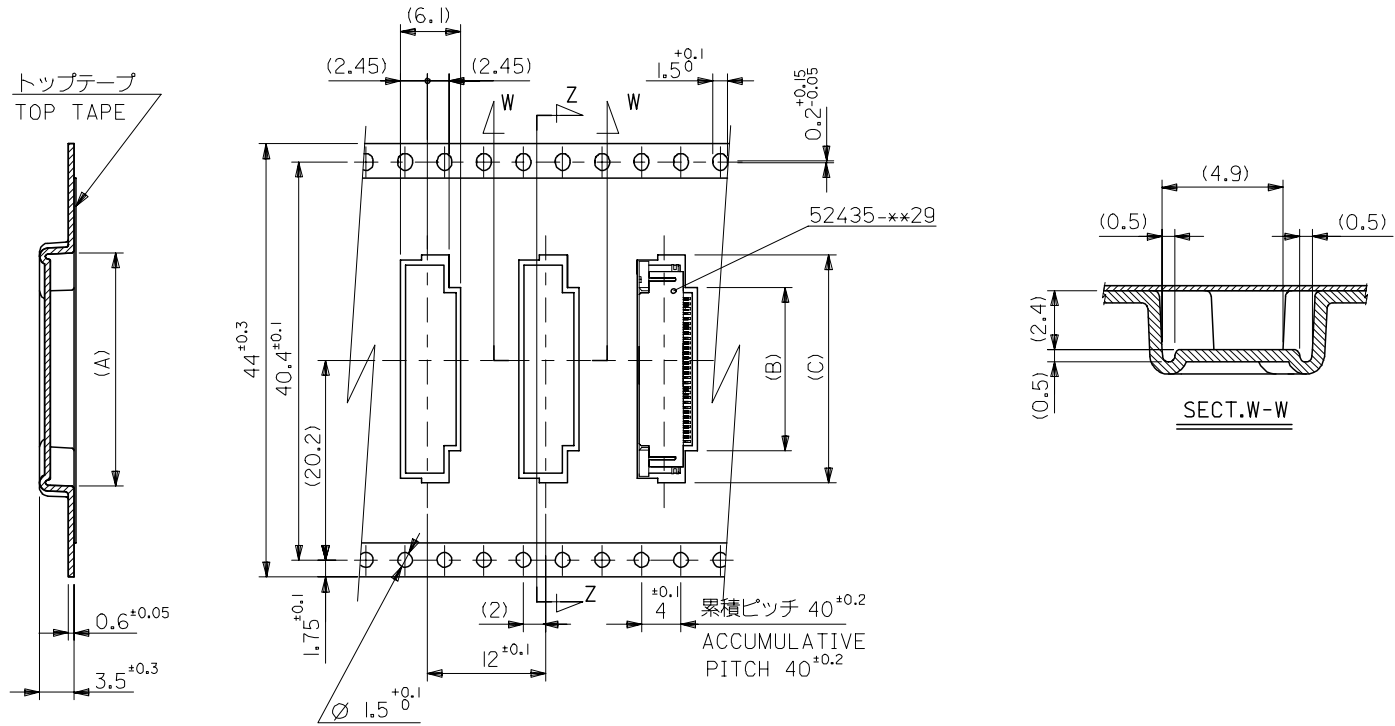
引き出し方向
PULL OUT DIRECTION

トップテープ
TOP TAPE

44mm幅キャリアテープ
44mm WIDTH CARRIER TAPE

SECT.Z-Z

SECT.W-W



| | | | | | | | |
|--------------------------------|------|------|------|------|------|--------------|---------------|
| 44 | 49.4 | 45.4 | 22.9 | 16.3 | 21.9 | 52435-3071 | 30 |
| キャリアテープ幅 CARRIER TAPE WIDTH | E | D | (C) | (B) | (A) | MATERIAL NO. | 極数 CIRCUIT |

| | | | | | | | |
|--|---------------------------------------|--|------------------------------|---------------------|---|------------------------|------------------------|
| REVISED EC NO: J2006-2753 DRWN: TENAGASE 2006/03/03 CHKD: THARUYAMA 2006/03/10 APPR: NUKITA 2006/03/17 | GENERAL TOLERANCES (UNLESS SPECIFIED) | | DIMENSION STYLE MM ONLY | | SCALE --- | DESIGN UNITS METRIC | THIRD ANGLE PROJECTION |
| | 10 UNDER | ±0.2 | DRAWN BY M.UMEDA | DATE 2005/01/17 | TITLE 0.5 FPC CONN ZIF SMT RA WITH TAPE EMBSTP PKG -LEAD FREE- | | |
| | 10 OVER 30 UNDER | ±0.25 | CHECKED BY K.TOYODA | DATE 2005/01/17 | | | |
| | 30 OVER | ±0.3 | APPROVED BY N.UKITA | DATE 2005/01/17 | MOLEX INCORPORATED | | |
| ANGULAR | ±3 ° | MATERIAL NO. 52435-**71 | DOCUMENT NO. SD-52435-017 | SHEET NO. 4 OF 4 | | | |
| DRAFT WHERE APPLICABLE MUST REMAIN WITHIN DIMENSIONS | | THIS DRAWING CONTAINS INFORMATION THAT IS PROPRIETARY TO MOLEX INCORPORATED AND SHOULD NOT BE USED WITHOUT WRITTEN PERMISSION | | | | | |

9

8

7

6

5

4

3

2