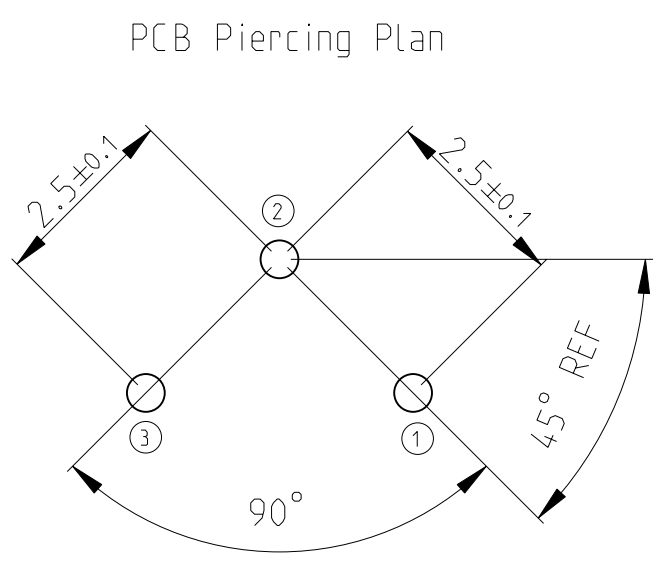
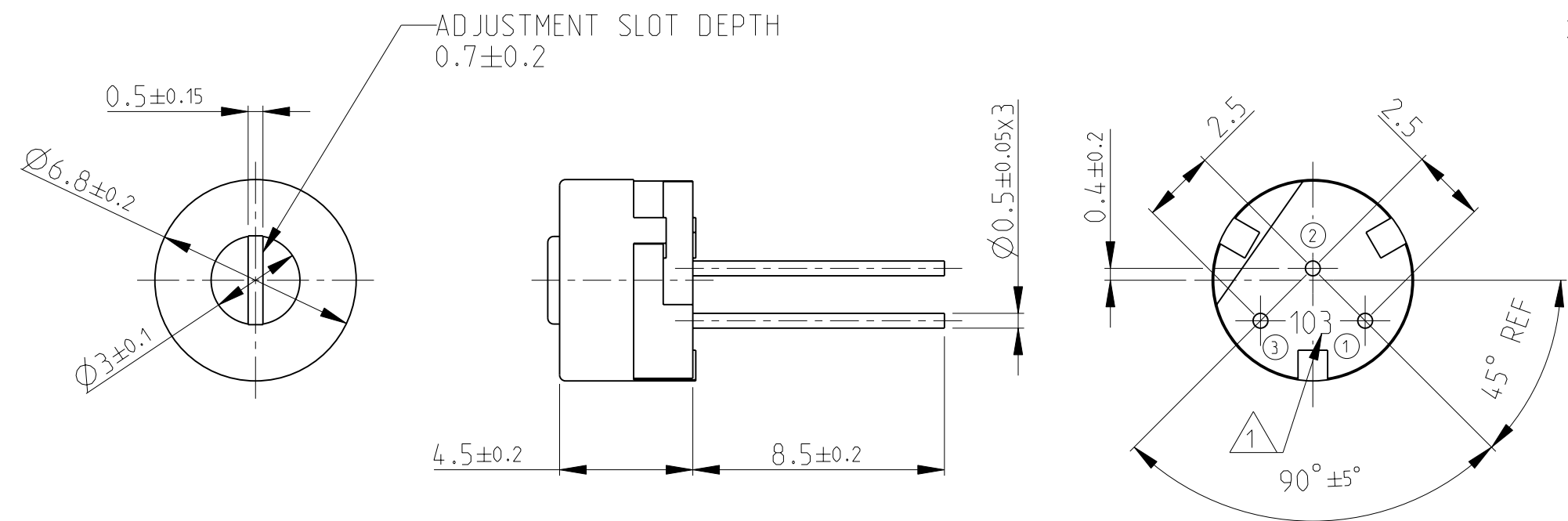


THIS DRAWING IS UNPUBLISHED. RELEASED FOR PUBLICATION 2008
 © COPYRIGHT 2008 BY TYCO ELECTRONICS CORPORATION. ALL RIGHTS RESERVED.

LOC	DIST	REVISIONS			
P	LTR	DESCRIPTION	DATE	DWN	APVD
E	B	A	NEW RELEASE	24-07-08	SM St.P

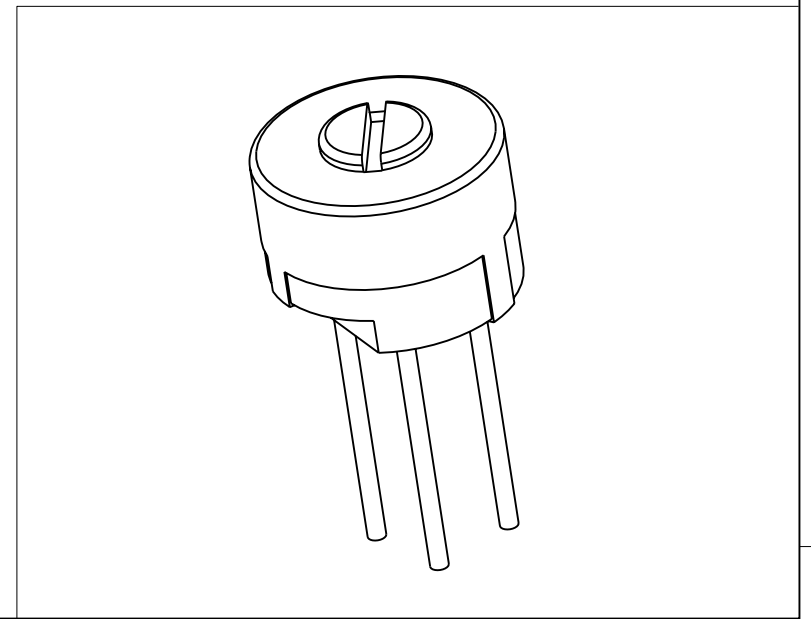
△ RESISTANCE CODE MARKING

2 FOR FURTHER INFORMATION SEE DATA SHEET FOR 470 SERIES-PROFESSIONAL TRIMMERS



SCALE 10:1

RoHS Compliant



<small>THIS DRAWING IS A CONTROLLED DOCUMENT FOR TYCO ELECTRONICS CORPORATION IT IS SUBJECT TO CHANGE AND THE CONTROLLING ENGINEERING ORGANIZATION SHOULD BE CONTACTED FOR THE LATEST REVISION.</small>		DWN	SUBHASH.M	24-07-08	Tyco Electronics Corporation Dorcan, Swindon, SN3 5HH								
DIMENSIONS: mm		CHK	PRAKASH.S	24-07-08									
		APVD	STEPHEN.P	24-07-08									
TOLERANCES UNLESS OTHERWISE SPECIFIED: 0 PLC ±0.5 1 PLC ±0.2 2 PLC ±0.1 3 PLC ± 4 PLC ± ANGLES ±5°		PRODUCT SPEC	NAME			PROFESSIONAL TRIMMERS SERIES 470							
MATERIAL	-	FINISH	-		APPLICATION SPEC	-							
-		-		WEIGHT	-	SIZE	A3	CAGE CODE	00779	DRAWING NO	C=1623831	RESTRICTED TO	-
CUSTOMER DRAWING						SCALE	5:1	SHEET	1	OF	1	REV	A