

SPECIFICATIONS:

MATERIAL:-

MOULDING: NYLON 66, UL94V-0

CONTACT: PHOSPHOR BRONZE, 0.3MM FLAT PIN

FINISH:-

TIN PLATED

ELECTRICAL:-

CURRENT RATING: 1A AC/DC MAX.

WORKING VOLTAGE: 100V AC/DC

WITHSTAND VOLTAGE: 500V AC/MINUTE

CONTACT RESISTANCE: 20 mΩ MAX.

INSULATION RESISTANCE: 100 MΩ MIN.

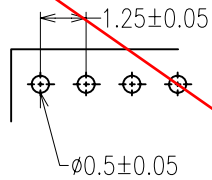
ENVIRONMENTAL:-

TEMPERATURE RANGE: -25°C TO +85°C

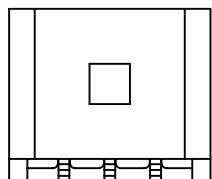
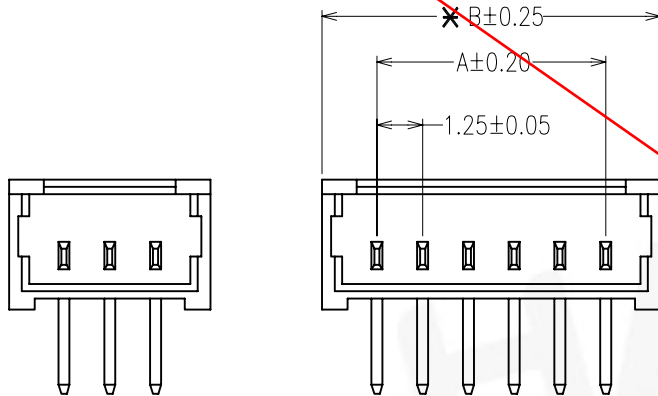
OTHERS:-

MATE WITH HOUSING M30-130 XX 46

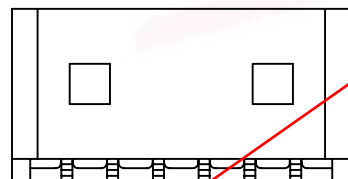
NO. OF WAYS	PART NO	DIM (MM)	
		A	B
2	M30-4100246	1.25	4.25
3	M30-4100346	2.50	5.50
4	M30-4100446	3.75	6.75
5	M30-4100546	5.00	8.00
6	M30-4100646	6.25	9.25
7	M30-4100746	7.50	10.50
8	M30-4100846	8.75	11.75
9	M30-4100946	10.00	13.00
10	M30-4101046	11.25	14.25
11	M30-4101146	12.50	15.50
12	M30-4101246	13.75	16.75
13	M30-4101346	15.00	18.00
14	M30-4101446	16.25	19.25
15	M30-4101546	17.50	20.50

OBSOLETE

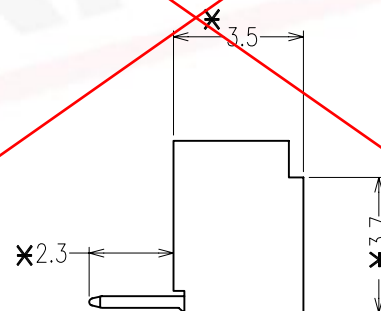
PCB LAYOUT



2-3P



4-15P



NOTES: ALL DIMENSIONS AND NOTES MARKED * ARE CRITICAL AND MUST BE CHECKED IN ACCORDANCE WITH QUALITY DOC. QI-02A

Allan	2	02.07.08	A139
Allan	1	01.08.06	-
NAME	ISS.	DATE	C/NOTE

APPROVED: *Ben*
 CHECKED:
 DRAWN: Allan

ORDER CODE

M30-410 XX 46

NO. OF WAYS

CUSTOMER REF.:

ASSEMBLY DRG:

HARWIN

HARWIN USA
 TEL: 603 893 5376
 FAX: 603 893 5396
 mis@harwin.com

HARWIN Europe (UK)
 TEL: 023 9231 4545
 FAX: 023 9231 4590
 mis@harwin.co.uk

HARWIN Asia
 TEL: +65 6 779 4909
 FAX: +65 6 779 3868
 mis@harwin.com.sg

THIS DRAWING AND ANY INFORMATION OR DESCRIPTIVE MATTER SET OUT HEREON ARE CONFIDENTIAL AND COPYRIGHT PROPERTY OF THE HARWIN GROUP AND MUST NOT BE DISCLOSED, LOANED, COPIED OR USED FOR MANUFACTURING, TENDERING OR FOR ANY OTHER PURPOSE WITHOUT THEIR WRITTEN PERMISSION.

TOLERANCES
 X. = ±1mm
 X.X = ±0.25mm
 X.XX = ±0.15mm
 X.XXX = ±0.08mm
 ANGLES = ±5'
 UNLESS STATED

MATERIAL: SEE NOTES
 FINISH: SEE NOTES
 S/AREA: mm²

TITLE: HEADER P=1.25MM DIP
 R/A TYPE

DRAWING NUMBER:
 M30-410 XX 46

SHT
 1
 OF
 1