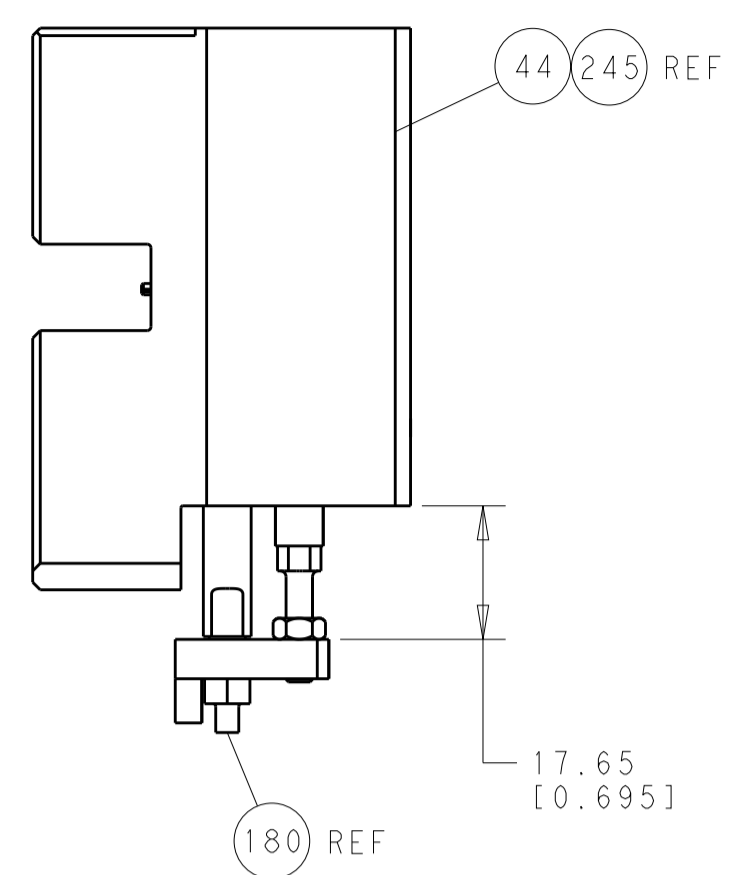
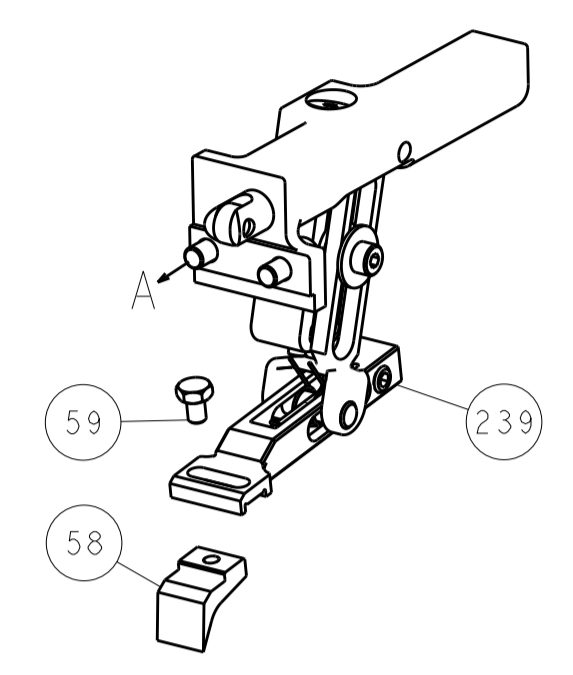


LOC	DIST	REV	DESCRIPTION	DATE	OWN	APVD
A	66		SEE SHEET 1			

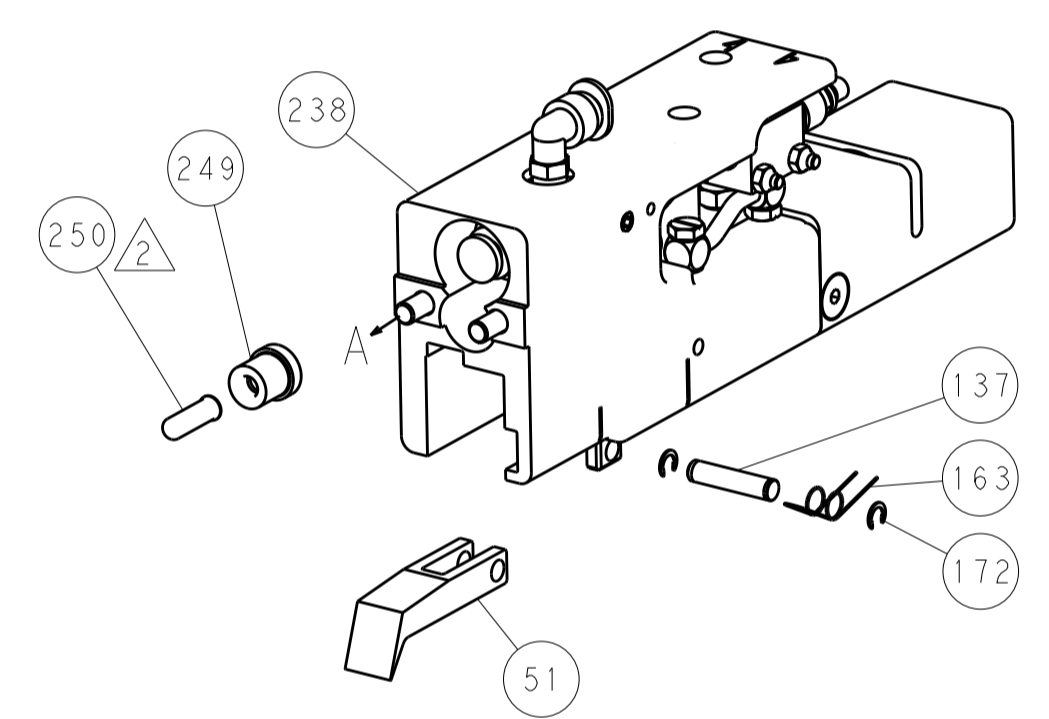


HOLDDOWN SET-UP

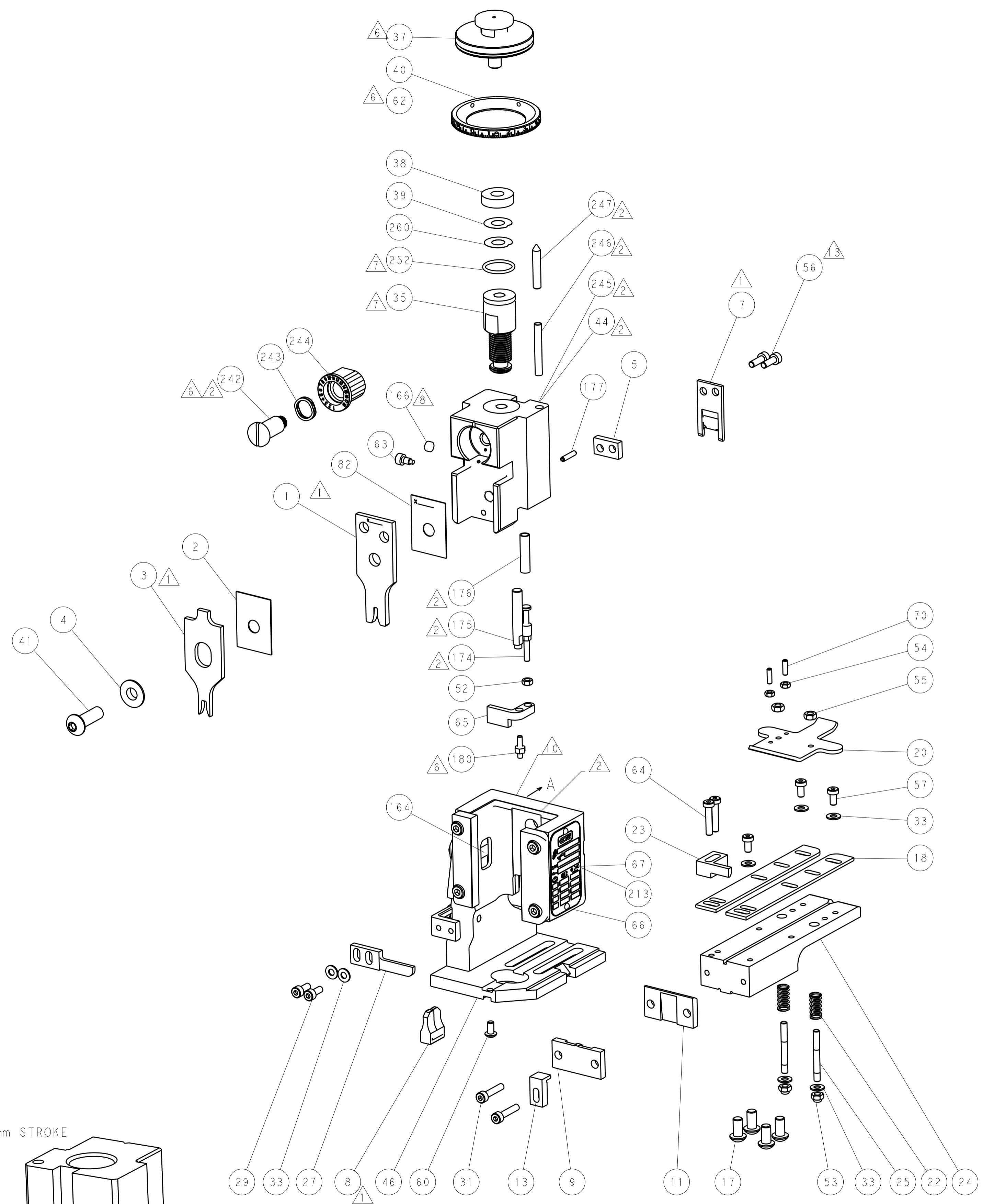
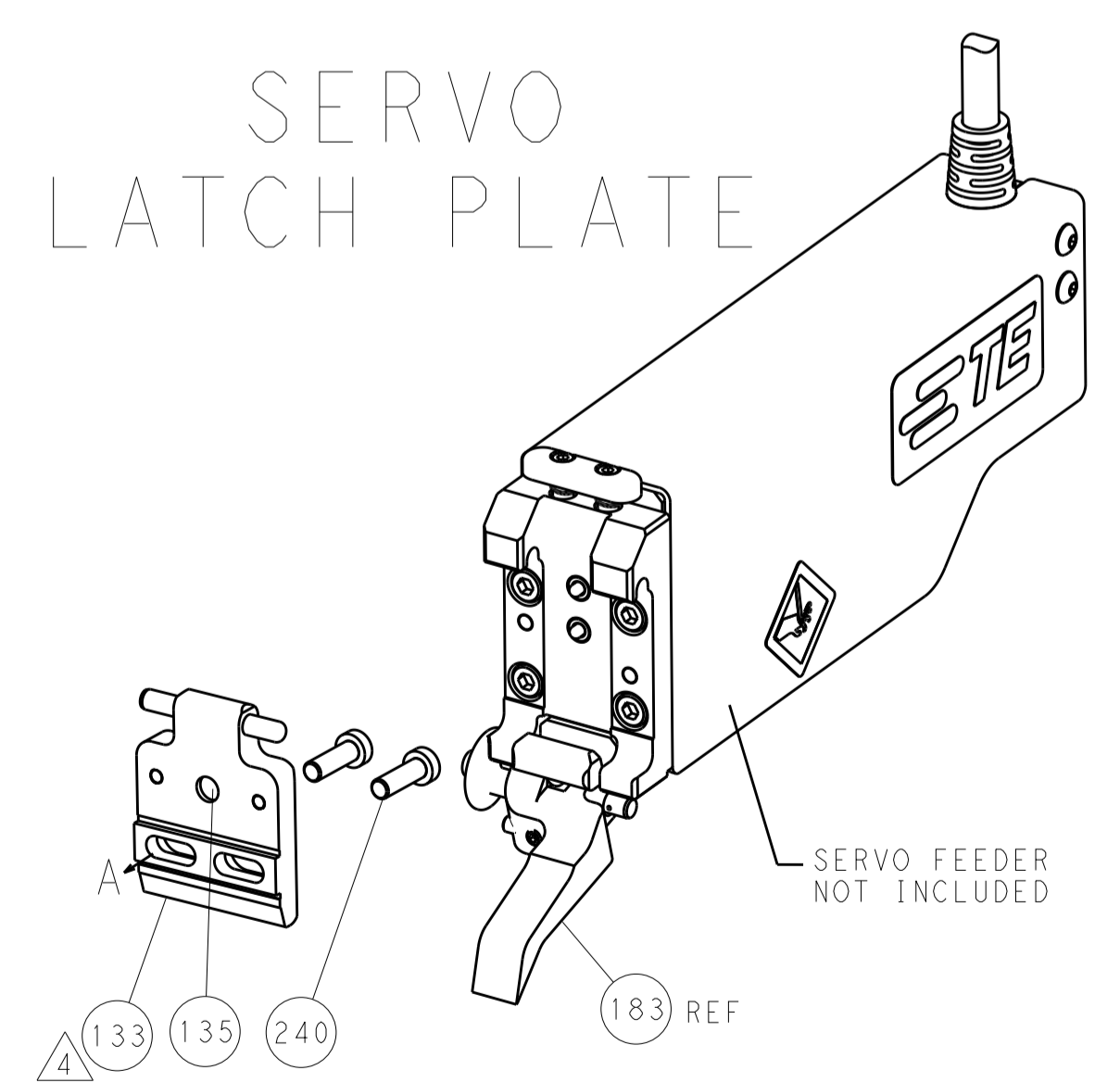
FEED TYPE
MECHANICAL



PNEUMATIC



SERVO
LATCH PLATE



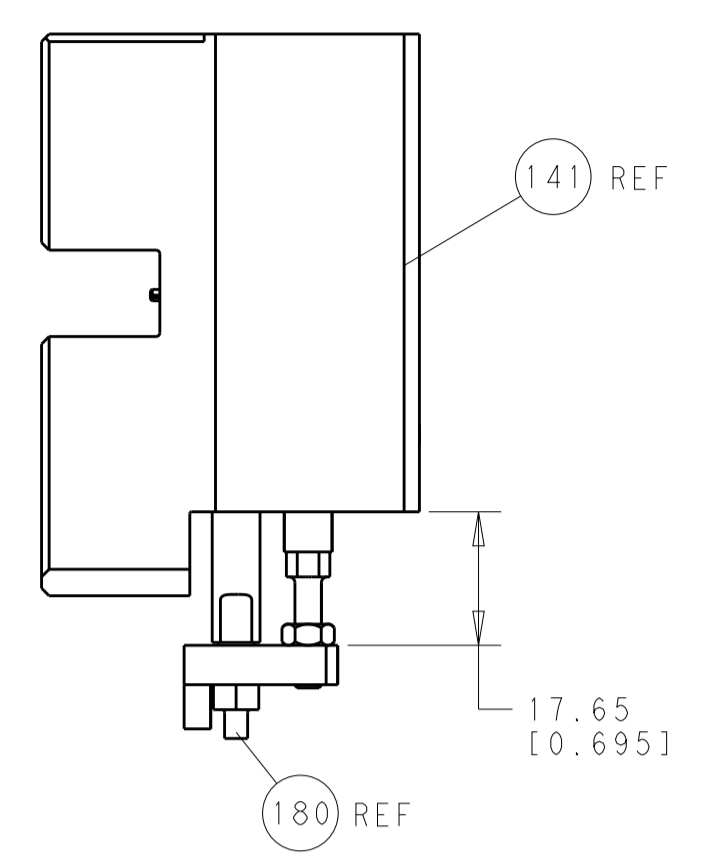
CAM POSITIONS



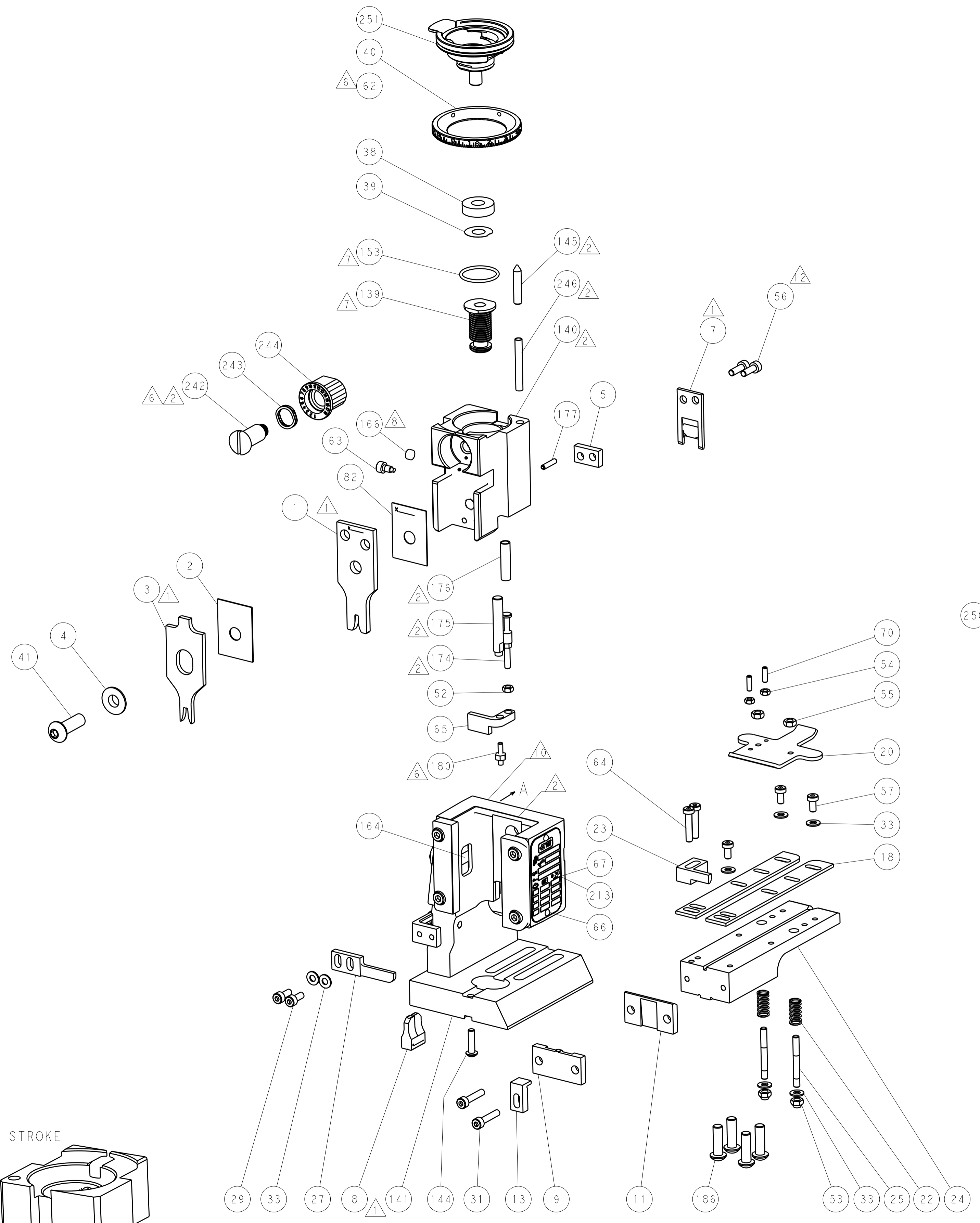
ATLANTIC VERSION
 Shown on sheets 1 of 4 & 2 of 4
 (Pacific version shown on sheets 3 of 4 & 4 of 4)

DIMENSIONS: mm 		TOLERANCES UNLESS OTHERWISE SPECIFIED: 0 PLC ±.5 1 PLC ±0.5 2 PLC ±0.13 3 PLC ±0.013 4 PLC ±0.001 ANGLES ±.1		DWN K. HUANG 21DEC2011 CHK S. XI 21DEC2011 APVD J. CRUZ 21DEC2011		TE Connectivity Harrisburg, PA 17105-3608	
MATERIAL:		FINISH:		PRODUCT SPEC:		NAME: Ocean End Feed Applicator	
WEIGHT:		SCALE: 1:1		SIZE: A11 00779 ©=2150011		RESTRICTED TO:	
Customer Accessible Production Drawing				SHEET 2 OF 4		REV B	

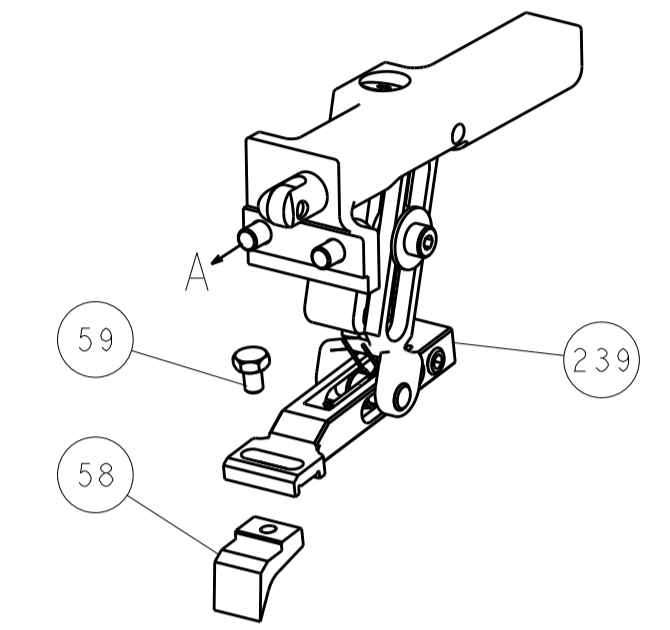
LOC		DIST		REVISIONS			
A	66	P	LTM	DESCRIPTION	DATE	OWN	APVD
		-		SEE SHEET 1			



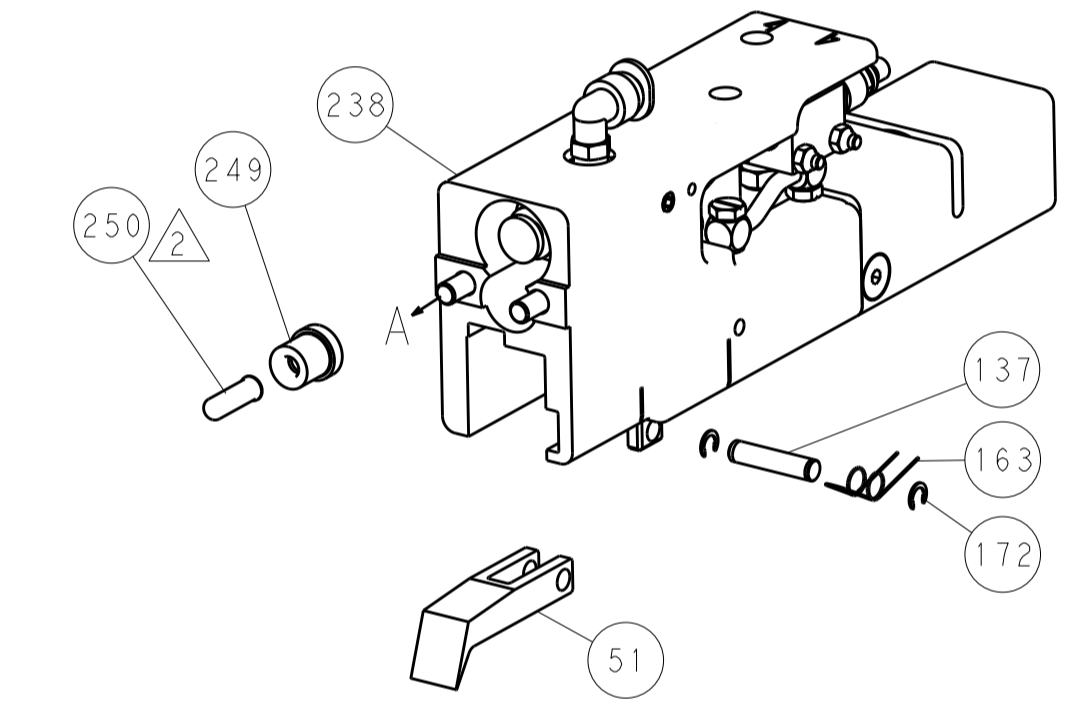
HOLDDOWN SET-UP



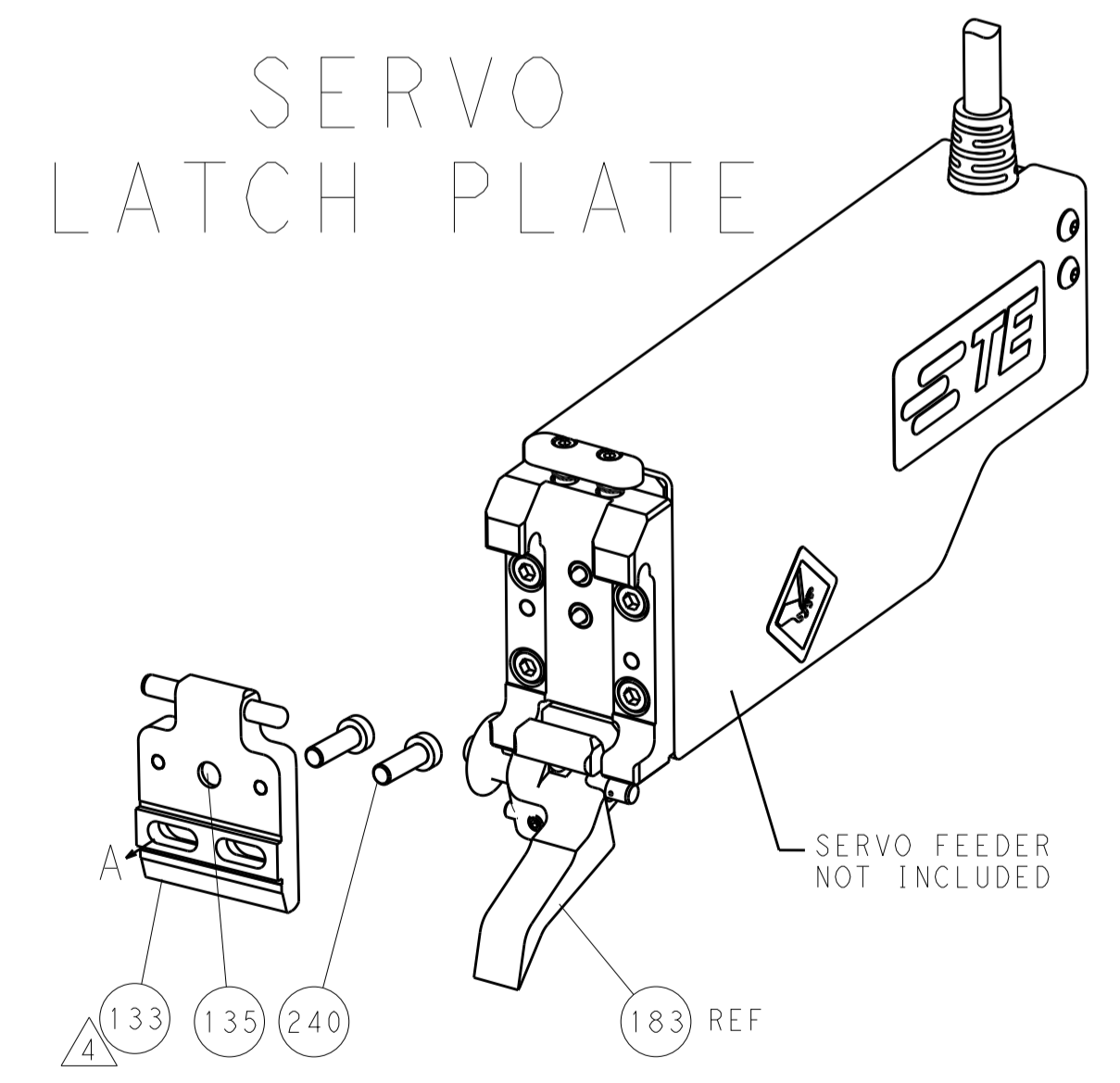
FEED TYPE
MECHANICAL



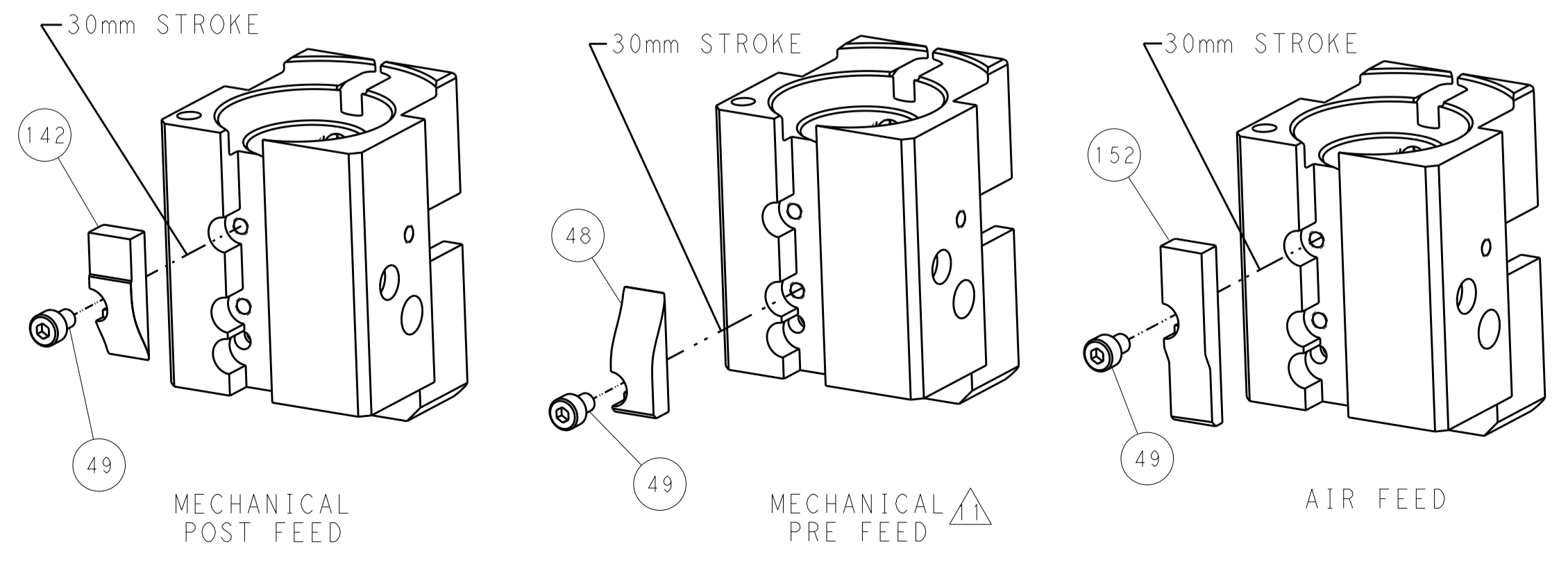
PNEUMATIC



SERVO
LATCH PLATE



CAM POSITIONS



PACIFIC VERSION
 Shown on sheets 3 of 4 & 4 of 4
 (Atlantic version shown on sheets 1 of 4 & 2 of 4)

DIMENSIONS:		TOLERANCES UNLESS OTHERWISE SPECIFIED:		DWN: H. HUANG 21DEC2011		STE TE Connectivity	
mm	0 PLC ±0.5	1 PLC ±0.13	2 PLC ±0.013	3 PLC ±0.013	4 PLC ±0.0013	5 PLC ±0.0013	Harrisburg, PA 17105-3608
MATERIAL:		FINISH:		CHK: S. XI 21DEC2011		NAME: Ocean End Feed Applier	
				APVD: J. CRUZ 21DEC2011		SIZE: CAGE CODE: DRAWING NO: A11 00779 ©=2150011	
				PRODUCT SPEC:		RESTRICTED TO:	
				APPLICATION SPEC:		SCALE: 1:1 SHEET 4 OF 4 REV B	
				WEIGHT:		Customer Accessible Production Drawing	