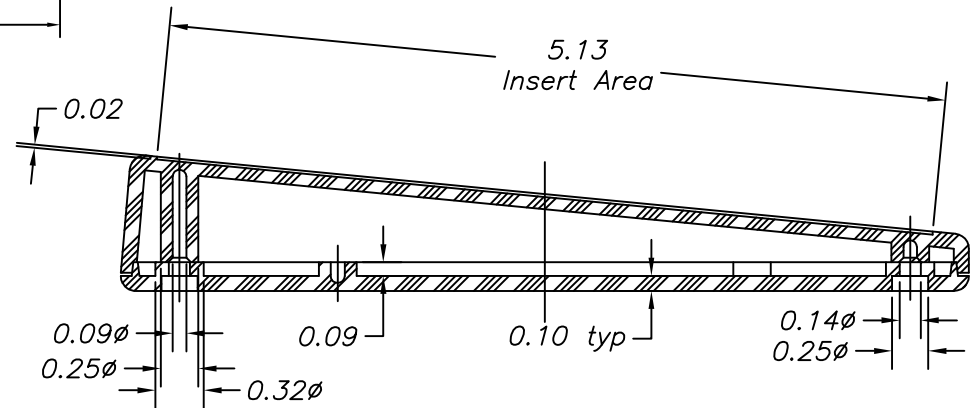
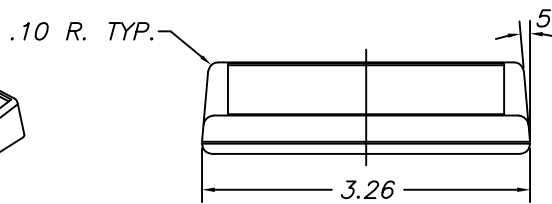
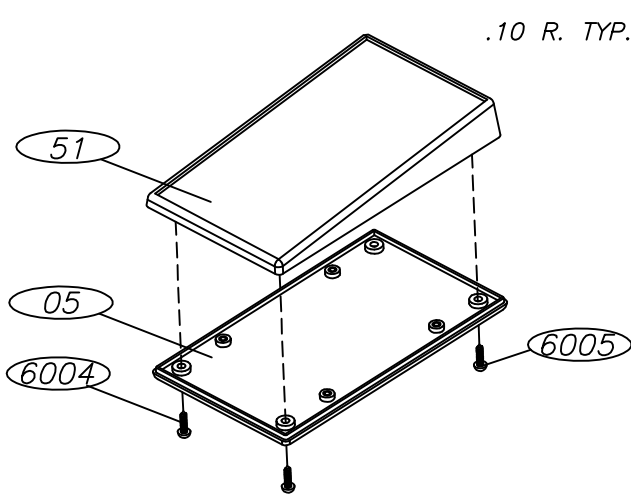
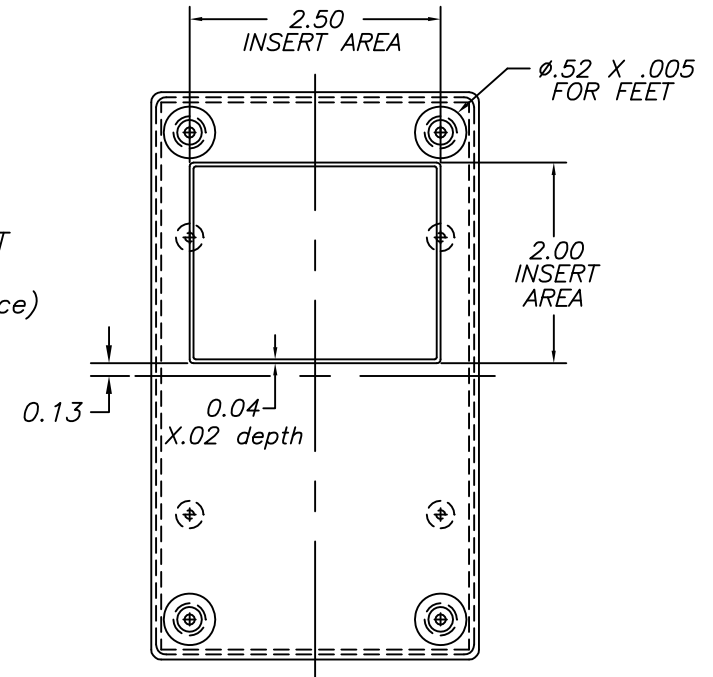
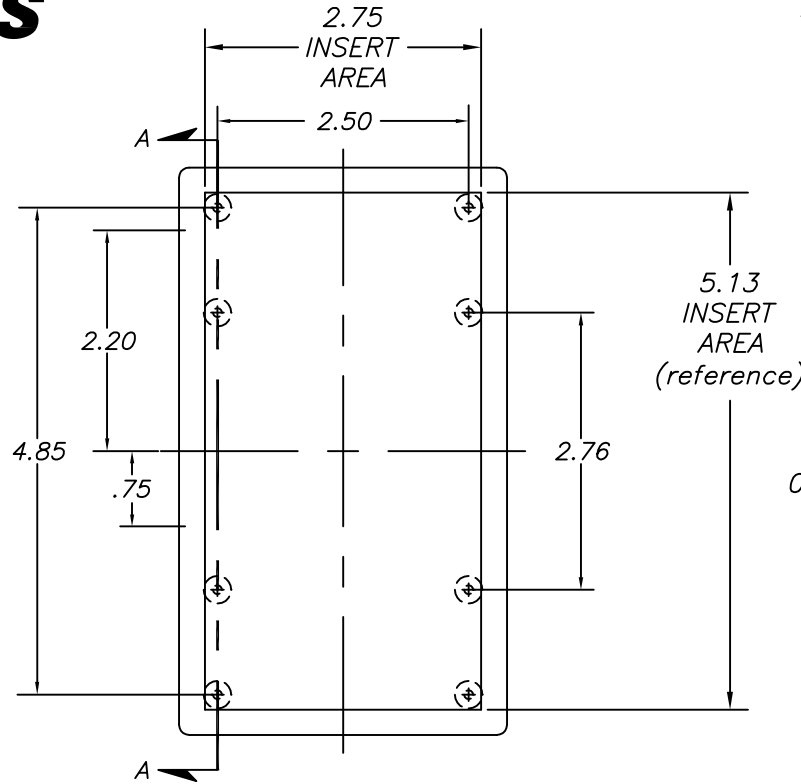
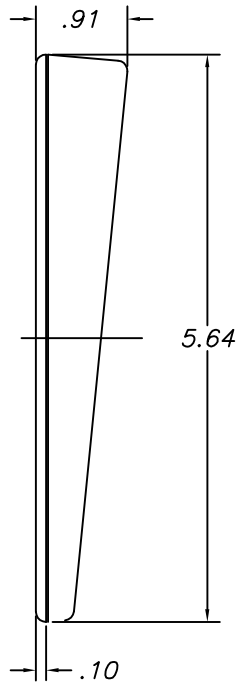


SERPAC 05-S

Electronics Enclosures

NOTES:
1. WHEN MACHINE OR I PLATES MODIFICATIONS ARE REQUIRED, USE THE CENTER OF THE ENCLOSURE TO DIMENSION.



12-13-01

ALL DIMENSIONS $\pm .010$

PART NO.	DESCRIPTION	ACCESSORIES	
5S	PLASTIC TOP	PART NO.	DESCRIPTION
05	PLASTIC BOTTOM	51	FEET
6004	SCREWS (2)	350	PROTOTYPE GRID BOARD (HORIZ.)
6005	SCREWS (2)	450	PROTOTYPE CLAD BOARD (HORIZ.)

SECTION A-A