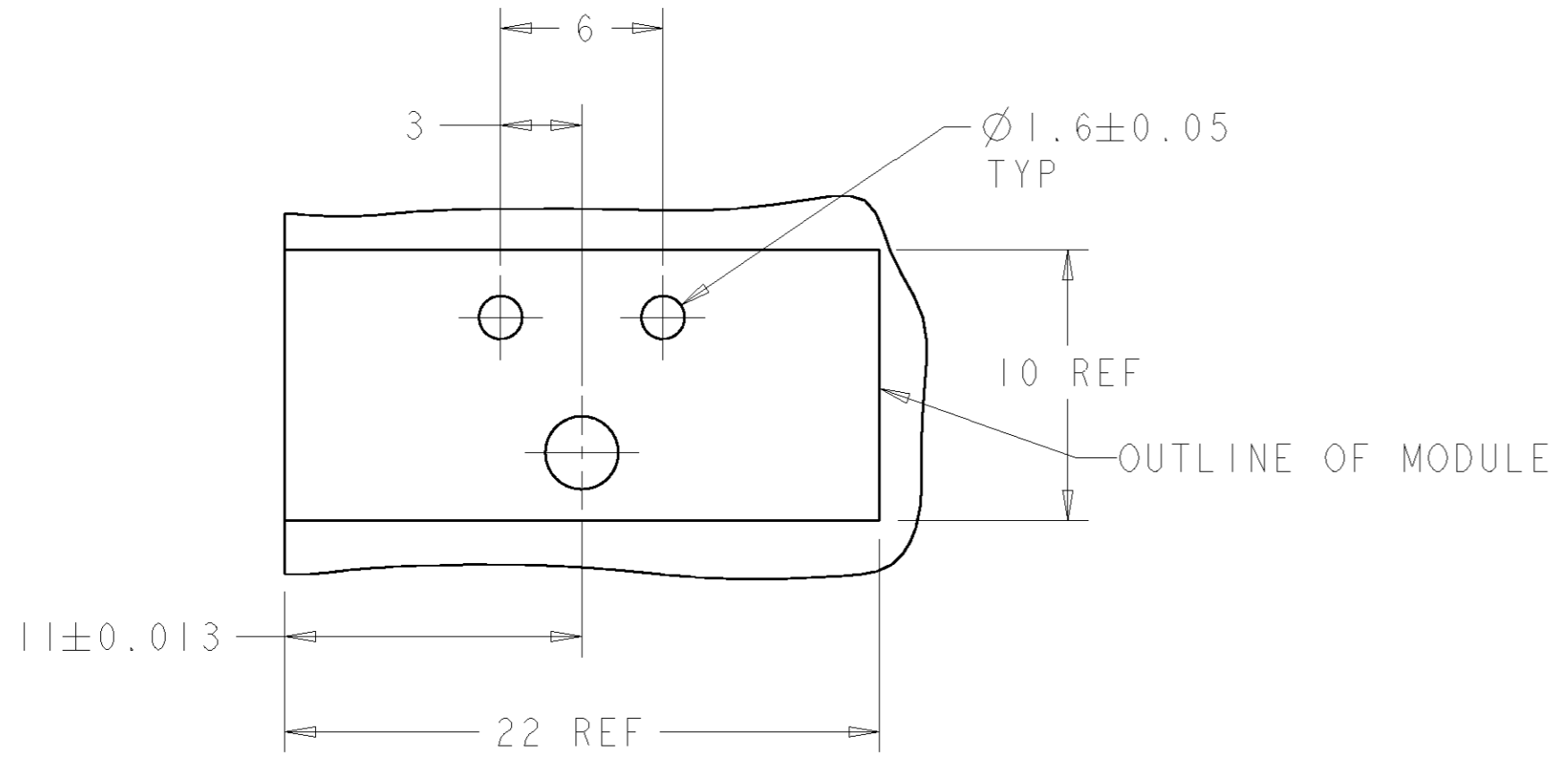
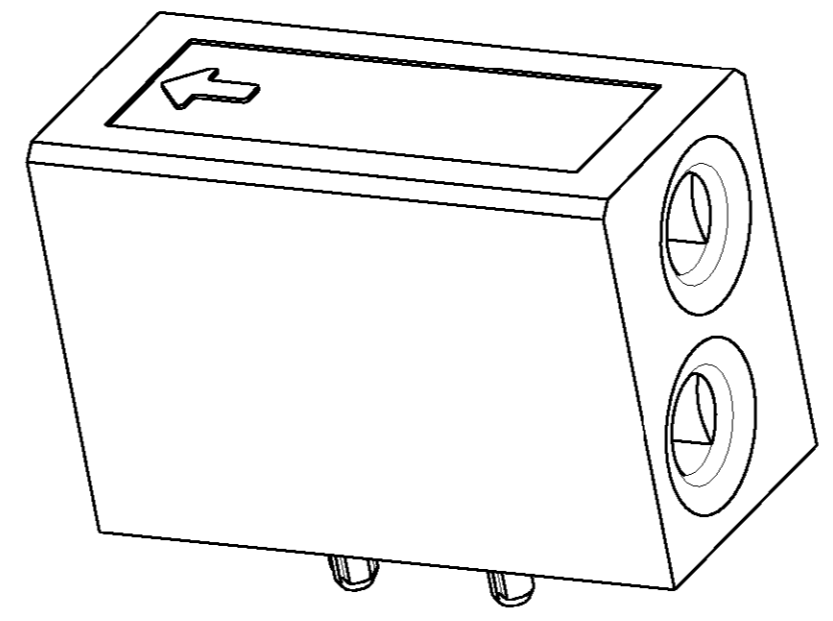


THIS DRAWING IS UNPUBLISHED. RELEASED FOR PUBLICATION 20  
 © COPYRIGHT 20 BY TYCO ELECTRONICS CORPORATION. ALL RIGHTS RESERVED.

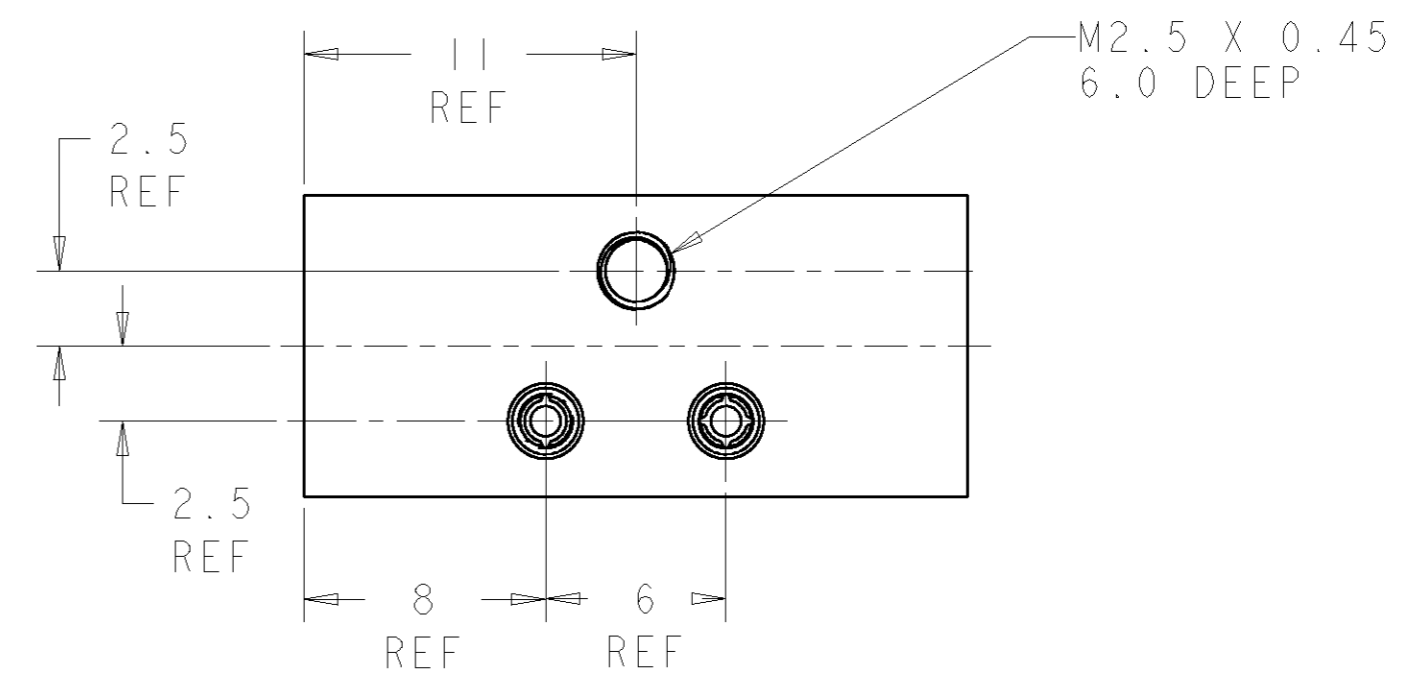
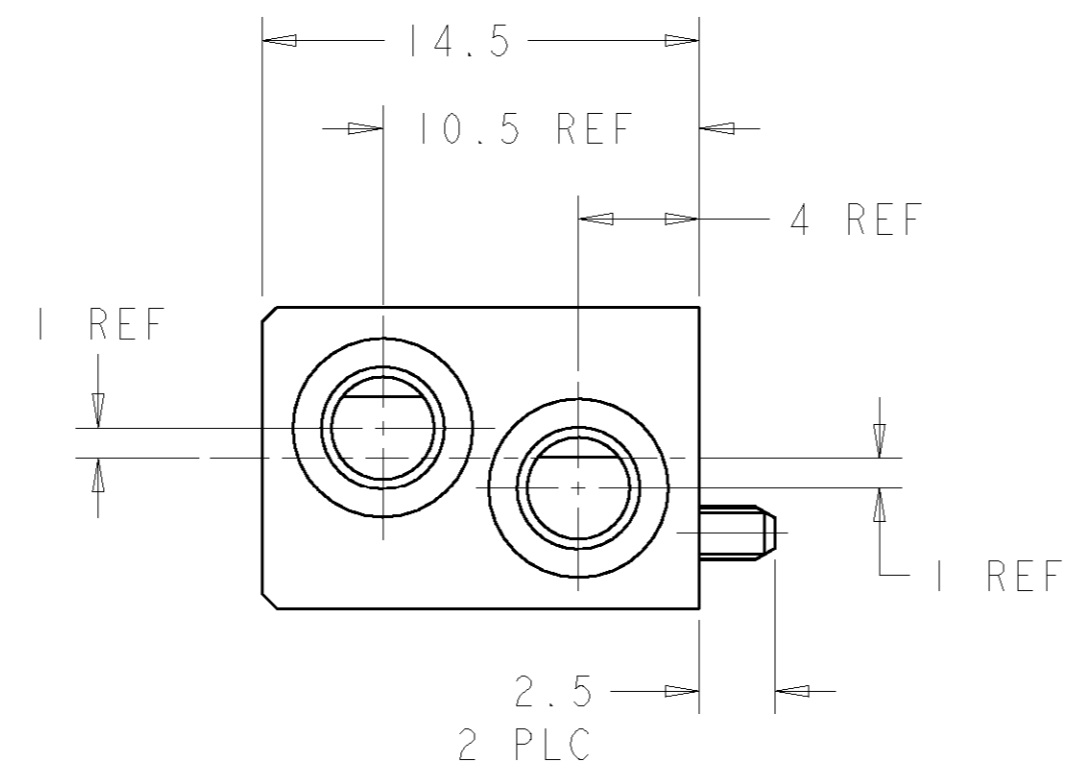
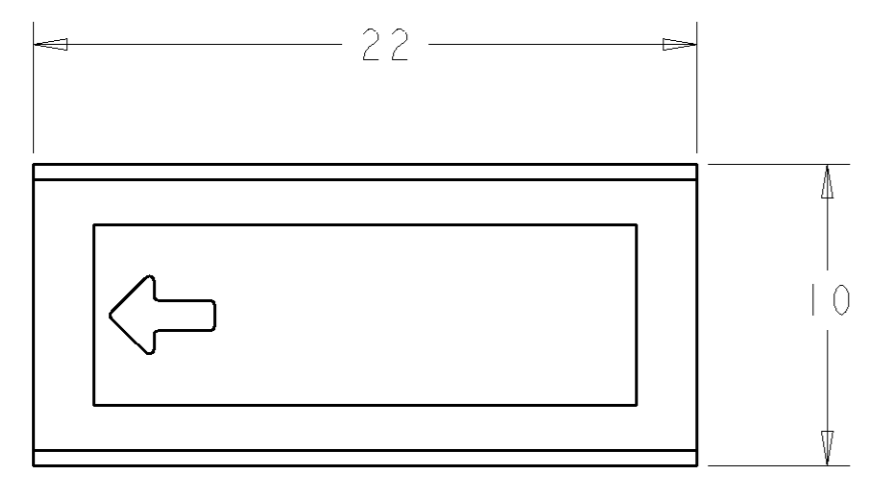
| LOC | DIST | REVISIONS |     |                       |           |     |      |
|-----|------|-----------|-----|-----------------------|-----------|-----|------|
|     |      | P         | LTR | DESCRIPTION           | DATE      | DWN | APVD |
| AD  | 00   |           | 0   | RELEASED              | 06APR2006 | BC  | RP   |
|     |      |           | A   | REV PER ECO-06-008400 | 18APR2006 | BC  | RP   |



PCB LAYOUT



- RECOMMENDED MOUNTING HARDWARE- M2.5 X 0.45 SCREW, 4.0MM LONG UP TO 2.9 MM THICK PCB, 6.0MM LONG FOR 3.0 TO 4.0 MM THICK PCB, 8.0MM FOR 4.1 TO 6.0MM THICK PCB, 10.0MM FOR 6.1 TO 8.0MM THICK PCB. (HARDWARE NOT SUPPLIED WITH PART NUMBER)

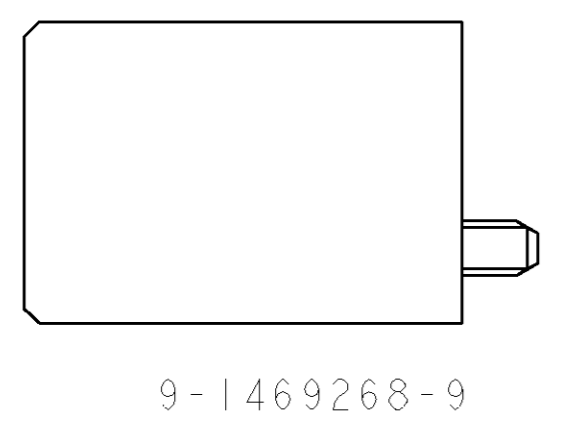
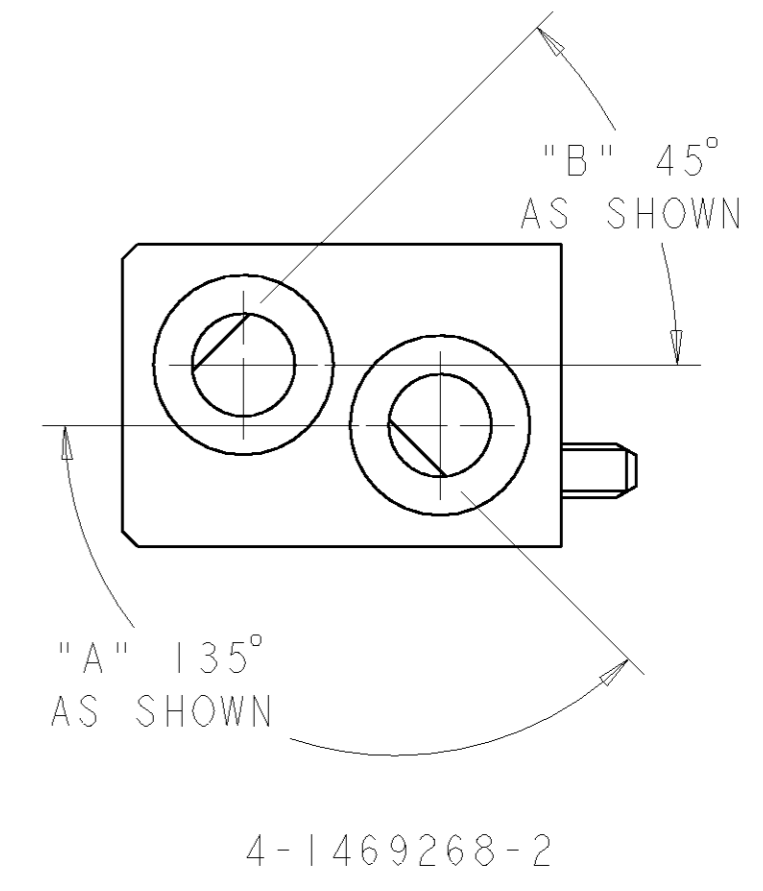
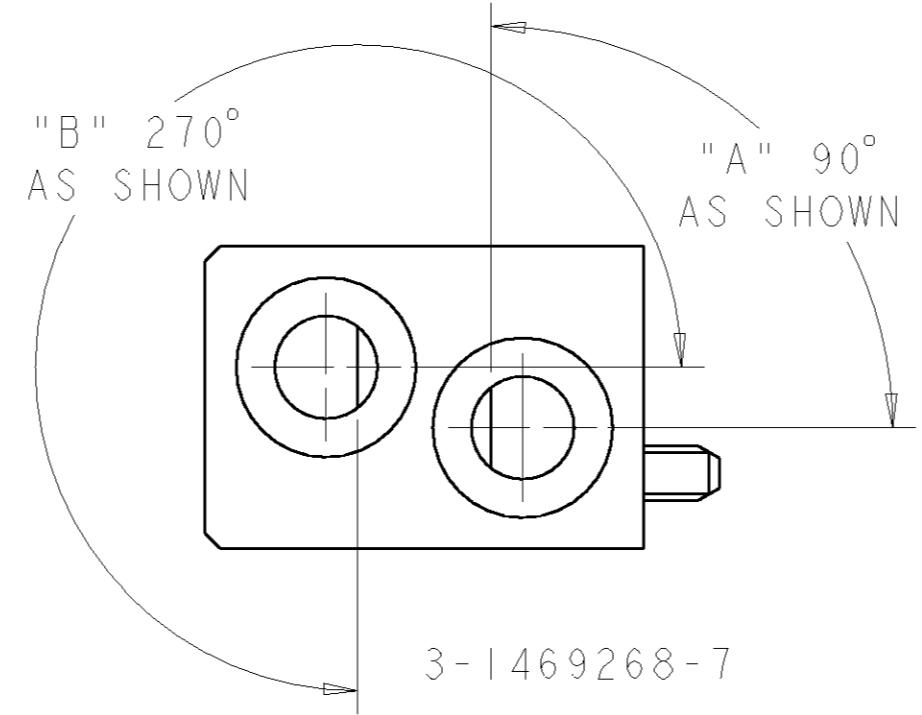
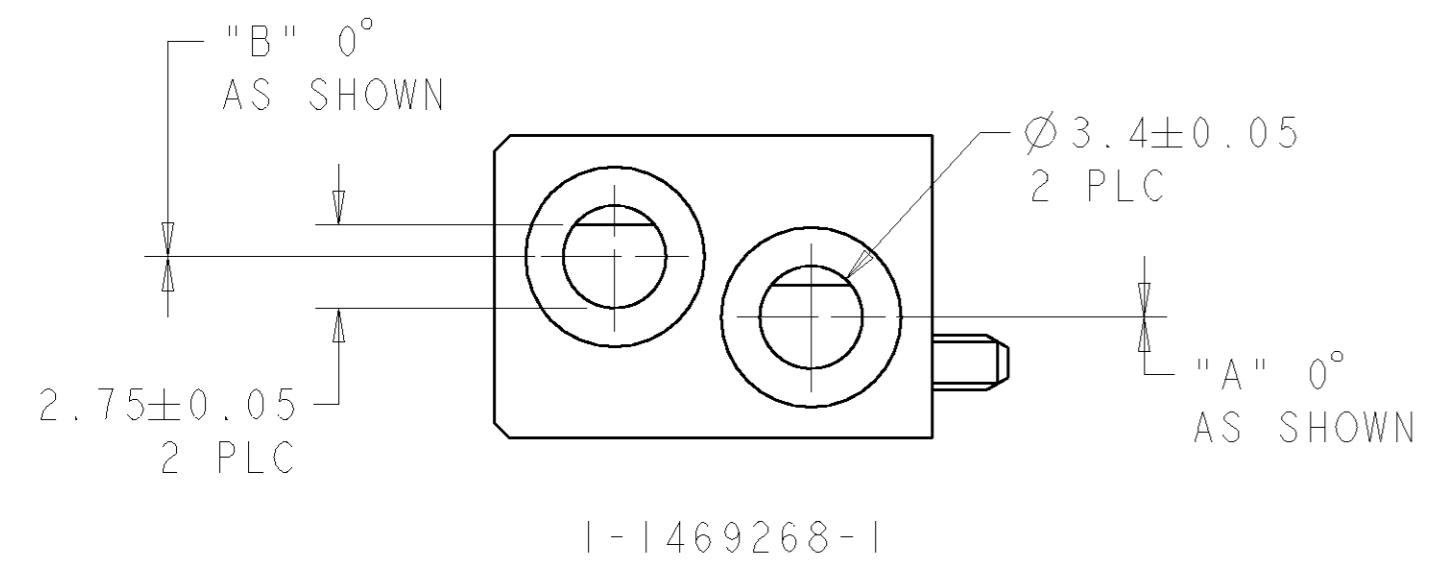


|      |      |            |             |
|------|------|------------|-------------|
| N/A  | N/A  | UNKEYED    | 9-1469268-9 |
| 135° | 45°  | 4 2        | 4-1469268-2 |
| 90°  | 270° | 3 7        | 3-1469268-7 |
| 0°   | 0°   | 1 1        | 1-1469268-1 |
| "A"  | "B"  | KEYING POS | PART NUMBER |

|  |   |  |   |
|--|---|--|---|
| <small>THIS DRAWING IS A CONTROLLED DOCUMENT FOR TYCO ELECTRONICS CORPORATION. IT IS SUBJECT TO CHANGE AND THE CONTROLLING ENGINEERING ORGANIZATION SHOULD BE CONTACTED FOR THE LATEST REVISION.</small> |   | DWN 08 JAN 2003<br>CHK R. PATTERSON<br>APVD R. PATTERSON | <b>tyco</b><br>Electronics<br>Tyco Electronics<br>Harrisburg, PA 17105-3608   |
| DIMENSIONS:<br>mm<br>  | TOLERANCES UNLESS OTHERWISE SPECIFIED:<br>0 PLC ±0.2<br>1 PLC ±0.2<br>2 PLC ±0.13<br>3 PLC ±0.050<br>4 PLC ±0.0200<br>ANGLES ±0.5<br>FINISH | PRODUCT SPEC -<br>APPLICATION SPEC -<br>WEIGHT -         | NAME ATCA GUIDE MODULE (FRONT BOARD - K1/K2)<br>SIZE A2<br>CAGE CODE 00779<br>DRAWING NO C-1469268<br>RESTRICTED TO - |
| MATERIAL ZAMAK 3   | FINISH NICKEL   | CUSTOMER DRAWING   | SCALE 4:1 SHEET 1 OF 2 REV A  |

THIS DRAWING IS UNPUBLISHED. RELEASED FOR PUBLICATION 20  
 © COPYRIGHT 20 BY TYCO ELECTRONICS CORPORATION. ALL RIGHTS RESERVED.

| LOC | DIST | REVISIONS |     |             |      |     |      |
|-----|------|-----------|-----|-------------|------|-----|------|
| AD  | 00   | P         | LTR | DESCRIPTION | DATE | DWN | APVD |
|     |      | -         |     | SEE SHEET 1 | -    | -   | -    |
|     |      |           |     |             |      |     |      |
|     |      |           |     |             |      |     |      |



|  |  |   |   |
|--|--|---|---|
| THIS DRAWING IS A CONTROLLED DOCUMENT FOR TYCO ELECTRONICS CORPORATION<br>IT IS SUBJECT TO CHANGE AND THE CONTROLLING ENGINEERING ORGANIZATION<br>SHOULD BE CONTACTED FOR THE LATEST REVISION. |  | DWN 08 JAN 2003<br>D. SZCZESNY<br>CHK 06 APR 2006<br>R. PATTERSON<br>APVD 06 APR 2006<br>R. PATTERSON | <b>tyco</b><br>Electronics<br>Tyco Electronics<br>Harrisburg, PA 17105-3608 |
| DIMENSIONS:<br>mm  | TOLERANCES UNLESS<br>OTHERWISE SPECIFIED:<br>0 PLC ±0.2<br>1 PLC ±0.2<br>2 PLC ±0.13<br>3 PLC ±0.050<br>4 PLC ±0.0200<br>ANGLES ±0.5 | PRODUCT SPEC<br>-<br>APPLICATION SPEC<br>-<br>WEIGHT<br>-   | NAME<br>ATCA GUIDE MODULE<br>(FRONT BOARD - K1/K2)                          |
| MATERIAL<br>ZAMAK 3  | FINISH<br>NICKEL   | SIZE<br>A2  | CAGE CODE<br>00779  |
| CUSTOMER DRAWING   |  | DRAWING NO.<br>1469268  | RESTRICTED TO<br>-  |
|  |  | SCALE<br>4:1  | SHEET<br>2 OF 2   |
|  |  |   | REV<br>A  |