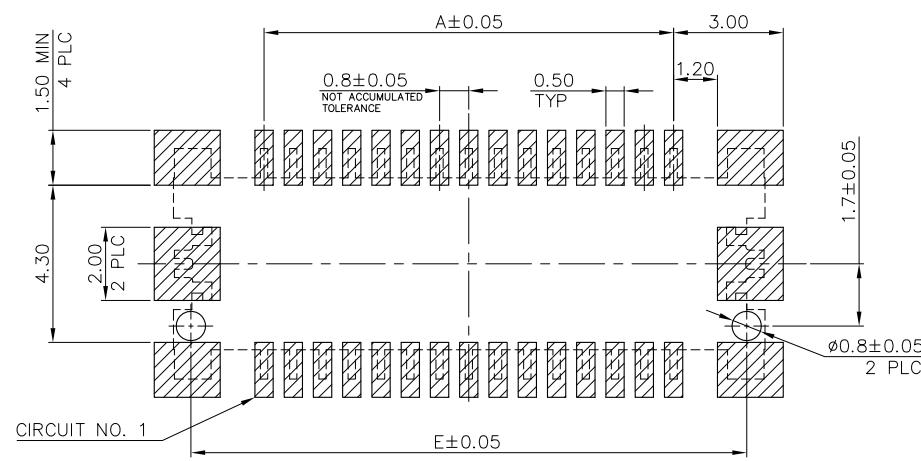
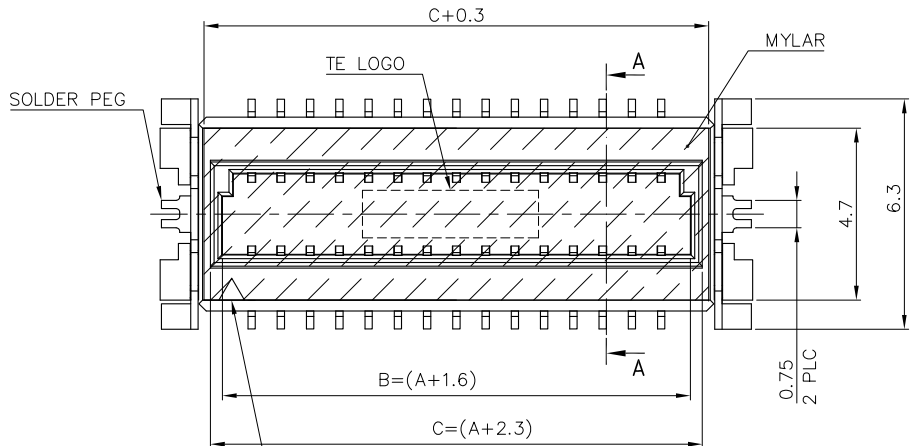


LOC	DW	DIST	-	REVISIONS			DATE	DWN	APVD
P	LTR	DESCRIPTION							
D		ECR-13-006812				23APR13	AW	WK	



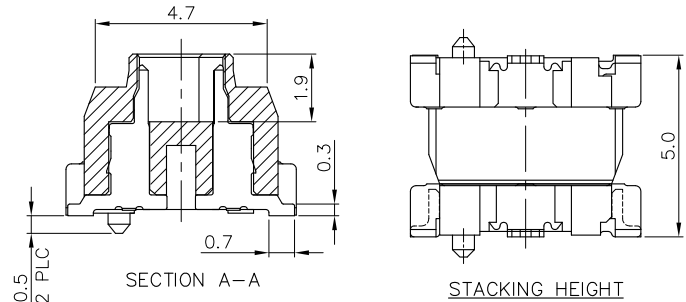
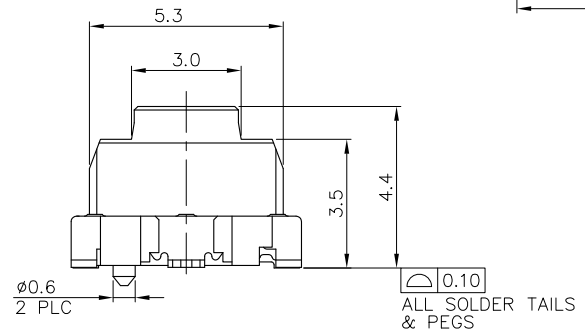
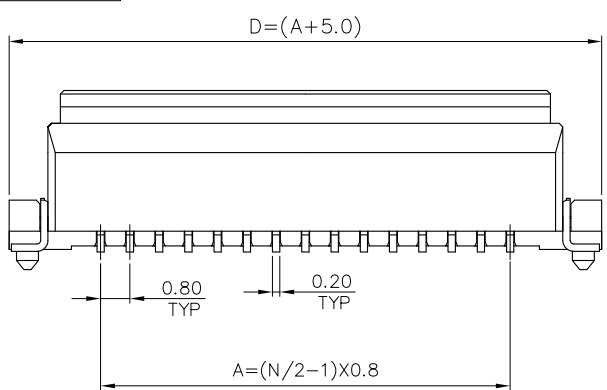
CIRCUIT NO. 1 MARK

CIRCUIT NO. 1

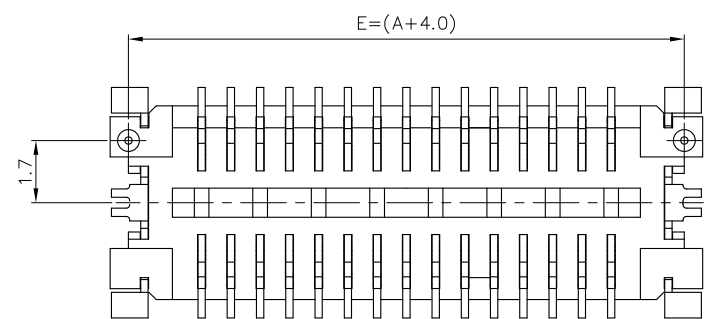
RECOMMENDED PCB LAYOUT

NOTES:

- MATERIAL:  
HOUSING: PA6T, UL94 V-0, NATURAL COLOR.  
CONTACTS: PHOSPHOR BRONZE.  
PEGS: BRASS.
- FINISH:  
CONTACTS: (SEE TABLE)  
PLATING A: 100µ" MIN. MATTE-TIN ON ENTIRE CONTACT.  
PLATING B: GOLD FLASH.  
(WITH ENTIRE CONTACT UNDERPLATED 50µ" MIN. NICKEL)  
PEGS: 100µ" MIN. TIN OR MATTE-TIN OVER 50µ" MIN. NICKEL.
- PART NUMBER OF MATING RECEPTACLE: X-1775013-X
- REFLOW SOLDER CAPABLE TO 260°C AS PER TEC-109-201, CONDITION B.



A	15.2	16.2	13.5	8.8	11.2	30	3-1775015-0
	11.2	12.2	9.5	12.8	7.2	20	2-1775015-0
B	8	9	6.3	5.6	4.0	12	1-1775015-2
	11.2	12.2	9.5	8.8	7.2	20	1775015-5
B	15.2	16.2	13.5	12.8	11.2	30	1775015-3
	8	9	6.3	5.6	4.0	12	1775015-1
CONTACT PLATING	E	D	C	B	A	NO. OF CONTACTS	PART NUMBER



5. SUBSTANCE RESTRICTIONS FOR LOW HALOGEN (BY WEIGHT):  
 BROMINE (Br) ≤ 900 PPM (0.09%)  
 CHLORINE (Cl) ≤ 900 PPM (0.09%)  
 TOTAL CONCENTRATION OF (Cl) + (Br) ≤ 1500 PPM (0.15%)

THIS DRAWING IS A CONTROLLED DOCUMENT.		DWN	A. WU	11JUN2007
DIMENSIONS: MM		CHK	S. HOU	11JUN2007
TOLERANCES UNLESS OTHERWISE SPECIFIED:		APVD	W.J. KE	11JUN2007
0 PLC ± -		PRODUCT SPEC	108-57488	
1 PLC ± 0.2		APPLICATION SPEC	-	
2 PLC ± 0.15		WEIGHT	SEE TABLE	
3 PLC ± -		CUSTOMER DRAWING	SCALE - SHEET 1 OF 2 REV D	
4 PLC ± -				
ANGLES ± -				
MATERIAL	FINISH			
SEE NOTE	SEE NOTE			



TE Connectivity  
 BOARD TO BOARD CONNECTOR,  
 0.8mm PITCH, FINE-STACK,  
 5H, PLUG

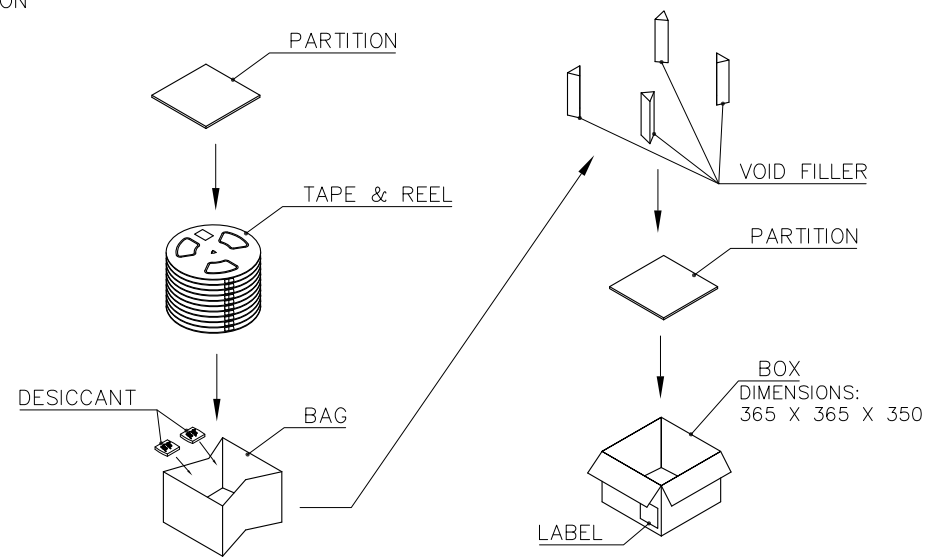
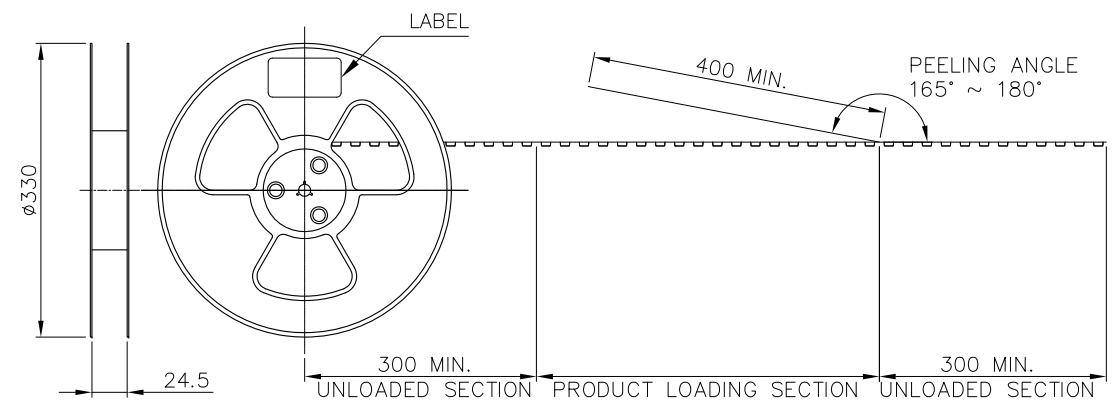
NAME	SIZE	CAGE CODE	DRAWING NO	RESTRICTED TO
	A3	00779	C=1775015	-

THIS DRAWING IS UNPUBLISHED. RELEASED FOR PUBLICATION  
 © COPYRIGHT 2013 BY TE CONNECTIVITY. ALL RIGHTS RESERVED.

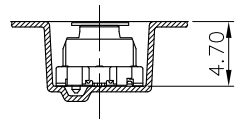
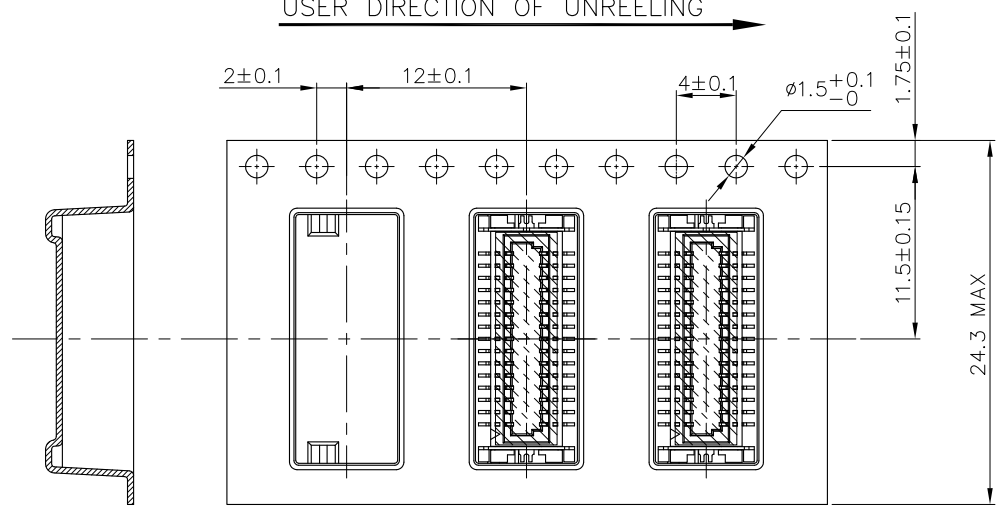
LOC	DIST	REVISIONS					
DW	-	P	LTR	DESCRIPTION	DATE	DWN	APVD
				SEE SHEET 1			

NOTES:

- MATERIAL:  
 BOX: FIBREBOARD, CORRUGATED, DOUBLE WALL.  
 COVER TAPE: PET, TRANSPARENT COLOR.  
 CARRIER TAPE: POLYSTYRENES, TRANSPARENT COLOR.  
 REEL: HIPS, BLUE COLOR.  
 BAG: POLYETHYLENES, TRANSPARENT COLOR.
- EACH BAG SHALL BE INCLUDED DESICCANT.
- PEELING STRENGTH: 0.1 ~ 1.3 N (10 ~ 130 GRAMS).
- PEELING SPEED: 300 mm/min.



USER DIRECTION OF UNREELING →



8000	800	10	9.42	3.28	30
			10.25	4.55	20
			8.5	2.5	12
PCS /BOX	PCS /REELS	REELS /BOX	GROSS WEIGHT (Kg)	NET WEIGHT (Kg)	NO. OF CONTACTS

THIS DRAWING IS A CONTROLLED DOCUMENT.

DIMENSIONS: MM	TOLERANCES UNLESS OTHERWISE SPECIFIED:	DWN	-	TE Connectivity BOARD TO BOARD CONNECTOR, 0.8mm PITCH, FINE-STACK, 5H, PLUG
	0 PLC ± -	CHK	-	
	1 PLC + -	APVD	-	
	2 PLC + -	PRODUCT SPEC	-	
	3 PLC + -	APPLICATION SPEC	-	NAME
	4 PLC + -	WEIGHT	-	SIZE
	ANGLES ± -			CAGE CODE
MATERIAL	FINISH			DRAWING NO
				RESTRICTED TO
				SCALE
				SHEET
				REV

Customer Drawing: A3 00779 ©-1775015