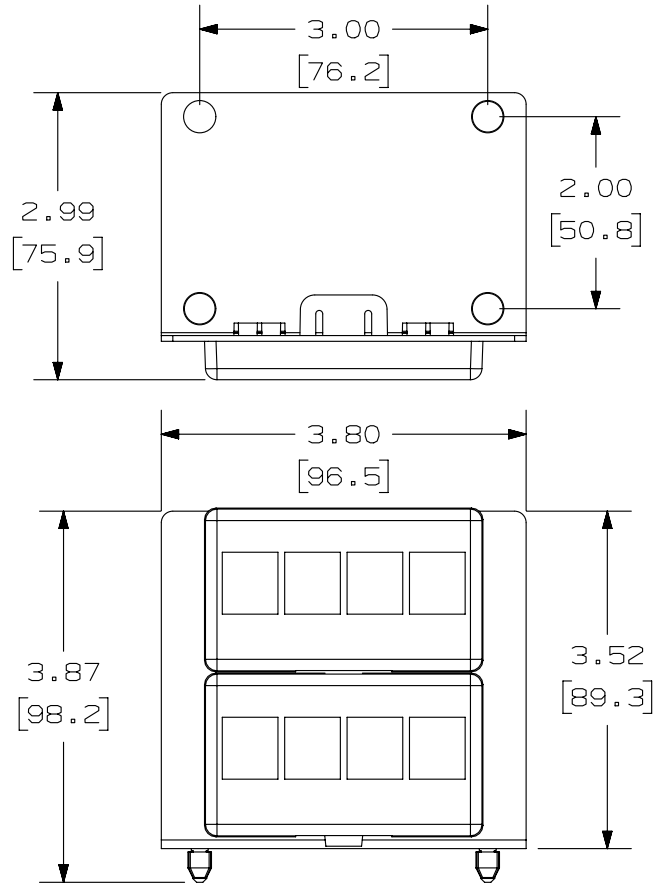


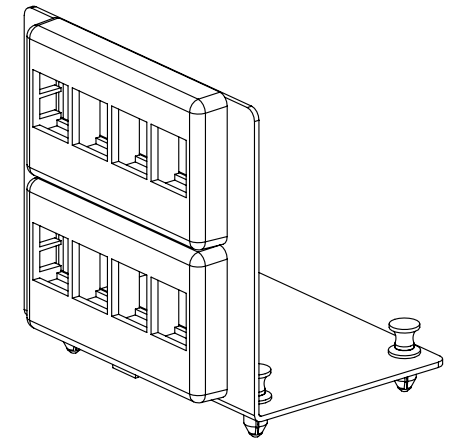
THIS COPY IS PROVIDED ON A RESTRICTED BASIS AND IS NOT TO BE USED IN ANY WAY DETRIMENTAL TO THE INTERESTS OF PANDUIT CORP.



PANDUIT P/N	WEIGHT
NKM8PP	.31 LB/EACH PC (139.5 g/EACH PC)

NOTES:

1. SEE CURRENT CATALOG FOR ADDITIONAL PART NUMBER SUFFIXES TO INDICATE COLOR AND OR PACKAGE QUANTITY.
2. SEE CATALOG FOR COMPLETE LIST OF PARTS APPLICABLE FOR USE WITH THIS PART.
3. DIMENSIONS IN [ ] ARE IN METRIC.
4. PART INCLUDES:  
1- MODULAR PATCH PANEL MODULE



PART NUMBER		NKM8PP	
TITLE			
NETKEY MEDIA DISTRIBUTION MODULAR PATCH PANEL			
CUSTOMER DRAWING			
ITEM REVISION NAME		M02695ZG/00	
DATASET FILE NAME		M02695ZG_DC124/00B	
UNLESS OTHERWISE SPECIFIED, DIMENSIONAL TOLERANCES ARE: IN [ mm ]		MATERIAL:	
.x ± .xx ± .03 [ .8 ]		BRACKET - 16 GAGE C.R.S. FACEPLATE - ABS	
ANGLES ±		DRAWING NUMBER:	
THIRD ANGLE PROJECTION		02695-124	
DRAWN BY	DATE	CHK	SCALE
JSP	11-19-07	REFR	NONE
SHT 1 OF 1			SIZE
			A

REV	DATE	BY	CHK	APR	DESCRIPTION	ECN
1	5-19-14	MDJR	REFR	JCK	A. UPDATED TITLE BLOCK.	02695-124
R	11-19-07	JSP	REFR	REFR	RELEASED TO PRODUCTION	02695-124

D10100DA/14

2

1

2

1