

5

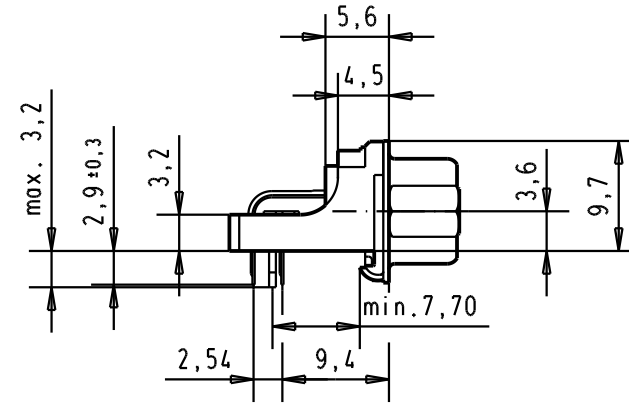
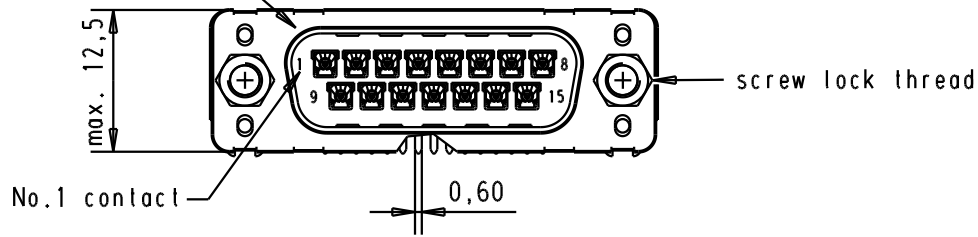
4

3

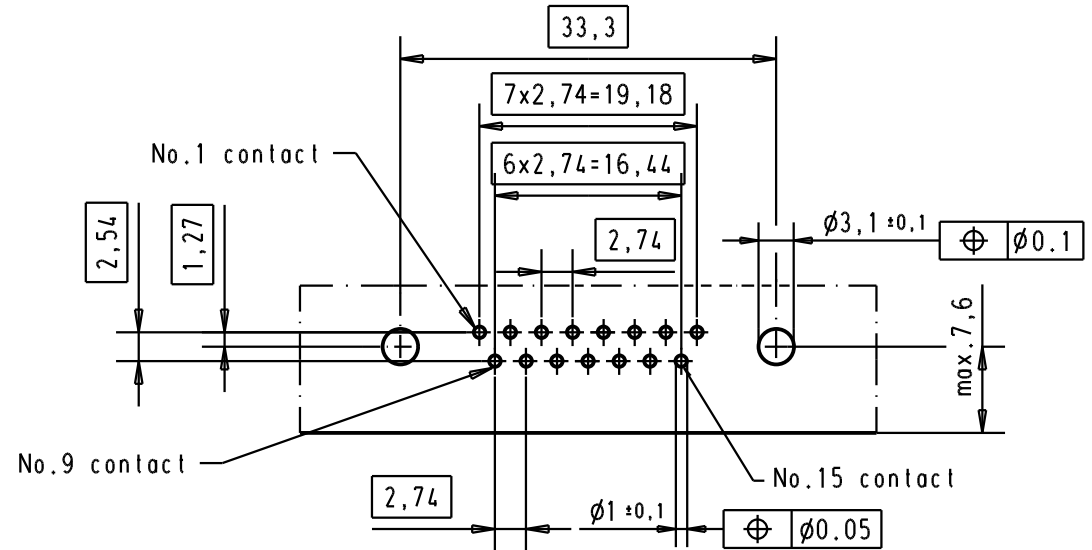
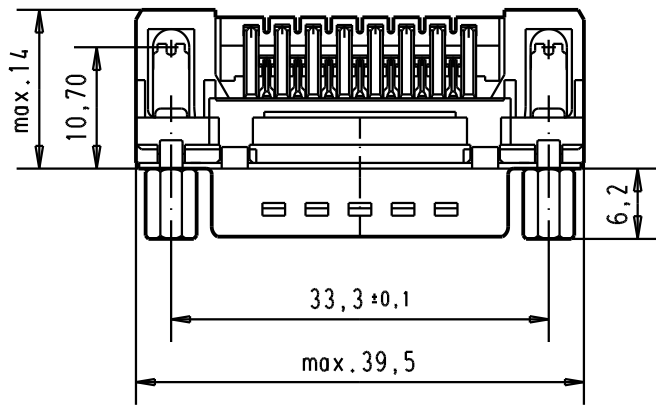
2

1

Mating face according to : MIL-C-24308 / DIN 41652 / CECC 75301-802





Printed board layout component side



Connector retention and assembling forces on the PCB = 25 / 80 newtons

A

						Det.	Name	 All Dim. in mm Orig. Size DIN A 4	D-Sub, high temperature, male, low profil, 15 poles, with solder pins 2.9, screw lock and grounding board lock.	Moßstab/ Scale
						Detail.	CV			1.5:1
						Insp.				
09 65 266 3817	4-40 UNC	1	31892	22/04/04	JH	Stand.				
09 65 266 6817	4-40 UNC	2	31084	04/09/02	YT	HARTING EURL F-95972 Paris				
09 65 266 7817	4-40 UNC	3	29723	05/03/02	CV					
Part number	Screw lock thread	Performance level	Mod.	Dat.	Name				TB 0965266x81x Sub.	Blatt/ Page 5