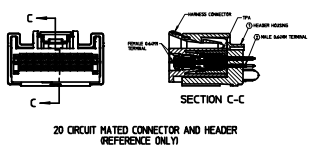
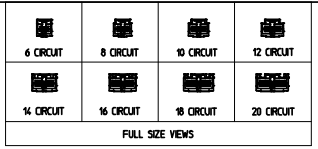


RECOMMENDED PRINTED CIRCUIT BOARD HOLE PATTERNS
ALL DIMENSIONS ARE NOMINAL
PCB TOLERANCES: ±.12 FOR TRUE POSITION, ±.08 FOR ALL DIAMETERS

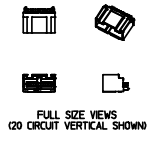


20 CIRCUIT MATED CONNECTOR AND HEADER
(REFERENCE ONLY)

PCB PART NUMBER	PCB PART NAME	PLACEMENT	QTY	REV	BY	DATE	DESCRIPTION	DATE	REVISION
3111-001	PLACEMENT PATTERN 1	1	1	1	1	1	1	1	1
3111-002	PLACEMENT PATTERN 2	2	1	1	1	1	1	1	1
3111-003	PLACEMENT PATTERN 3	3	1	1	1	1	1	1	1
3111-004	PLACEMENT PATTERN 4	4	1	1	1	1	1	1	1
3111-005	PLACEMENT PATTERN 5	5	1	1	1	1	1	1	1
3111-006	PLACEMENT PATTERN 6	6	1	1	1	1	1	1	1
3111-007	PLACEMENT PATTERN 7	7	1	1	1	1	1	1	1
3111-008	PLACEMENT PATTERN 8	8	1	1	1	1	1	1	1
3111-009	PLACEMENT PATTERN 9	9	1	1	1	1	1	1	1
3111-010	PLACEMENT PATTERN 10	10	1	1	1	1	1	1	1
3111-011	PLACEMENT PATTERN 11	11	1	1	1	1	1	1	1
3111-012	PLACEMENT PATTERN 12	12	1	1	1	1	1	1	1
3111-013	PLACEMENT PATTERN 13	13	1	1	1	1	1	1	1
3111-014	PLACEMENT PATTERN 14	14	1	1	1	1	1	1	1
3111-015	PLACEMENT PATTERN 15	15	1	1	1	1	1	1	1
3111-016	PLACEMENT PATTERN 16	16	1	1	1	1	1	1	1
3111-017	PLACEMENT PATTERN 17	17	1	1	1	1	1	1	1
3111-018	PLACEMENT PATTERN 18	18	1	1	1	1	1	1	1
3111-019	PLACEMENT PATTERN 19	19	1	1	1	1	1	1	1
3111-020	PLACEMENT PATTERN 20	20	1	1	1	1	1	1	1

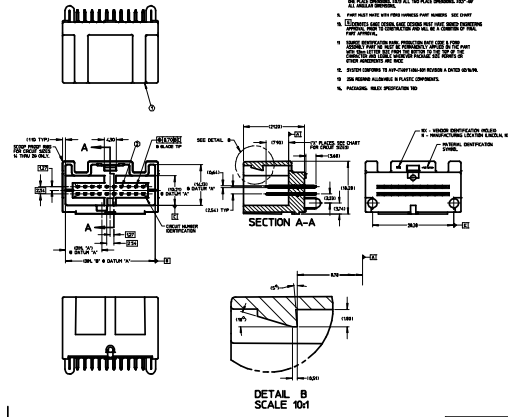


FULL SIZE VIEWS



FULL SIZE VIEWS
20 CIRCUIT VERTICAL SHOWING

- NOTES
1. USE ONLY DIMENSIONS TO ELECTRICAL CONNECTION POINTS UNLESS OTHERWISE NOTED.
 2. PART PART NUMBER IS GIVEN IN ALL DIMENSIONS UNLESS OTHERWISE NOTED.
 3. DIMENSIONS ARE GIVEN IN INCHES UNLESS OTHERWISE NOTED.
 4. DIMENSIONS ARE GIVEN IN MILLIMETERS UNLESS OTHERWISE NOTED.
 5. DIMENSIONS ARE GIVEN IN MILLIMETERS UNLESS OTHERWISE NOTED.
 6. DIMENSIONS ARE GIVEN IN MILLIMETERS UNLESS OTHERWISE NOTED.
 7. DIMENSIONS ARE GIVEN IN MILLIMETERS UNLESS OTHERWISE NOTED.
 8. DIMENSIONS ARE GIVEN IN MILLIMETERS UNLESS OTHERWISE NOTED.
 9. DIMENSIONS ARE GIVEN IN MILLIMETERS UNLESS OTHERWISE NOTED.
 10. DIMENSIONS ARE GIVEN IN MILLIMETERS UNLESS OTHERWISE NOTED.



DETAIL B
SCALE 10:1

3111-001

3111-002

3111-003

3111-004

3111-005

3111-006

3111-007

3111-008

3111-009

3111-010

3111-011

3111-012

3111-013

3111-014

3111-015

3111-016

3111-017

3111-018

3111-019

3111-020

3111-021

3111-022

3111-023

3111-024

3111-025

3111-026

3111-027

3111-028

3111-029

3111-030

3111-031

3111-032

3111-033

3111-034

3111-035

3111-036

3111-037

3111-038

3111-039

3111-040

3111-041

3111-042

3111-043

3111-044

3111-045

3111-046

3111-047

3111-048

3111-049

3111-050

3111-051

3111-052

3111-053

3111-054

3111-055

3111-056

3111-057

3111-058

3111-059

3111-060

3111-061

3111-062

3111-063

3111-064

3111-065

3111-066

3111-067

3111-068

3111-069

3111-070

3111-071

3111-072

3111-073

3111-074

3111-075

3111-076

3111-077

3111-078

3111-079

3111-080

3111-081

3111-082

3111-083

3111-084

3111-085

3111-086

3111-087

3111-088

3111-089

3111-090

3111-091

3111-092

3111-093

3111-094

3111-095

3111-096

3111-097

3111-098

3111-099

3111-100

3111-101

3111-102

3111-103

3111-104

3111-105

3111-106

3111-107

3111-108

3111-109

3111-110

3111-111

3111-112

3111-113

3111-114

3111-115

3111-116

3111-117

3111-118

3111-119

3111-120

3111-121

3111-122

3111-123

3111-124

3111-125

3111-126

3111-127

3111-128

3111-129

3111-130

3111-131

3111-132

3111-133

3111-134

3111-135

3111-136

3111-137

3111-138

3111-139

3111-140

3111-141

3111-142

3111-143

3111-144

3111-145

3111-146

3111-147

3111-148

3111-149

3111-150

3111-151

3111-152

3111-153

3111-154

3111-155

3111-156

3111-157

3111-158

3111-159

3111-160

3111-161

3111-162

3111-163

3111-164

3111-165

3111-166

3111-167

3111-168

3111-169

3111-170

3111-171

3111-172

3111-173

3111-174

3111-175

3111-176

3111-177

3111-178

3111-179

3111-180

3111-181

3111-182

3111-183

3111-184

3111-185

3111-186

3111-187

3111-188

3111-189

3111-190

3111-191

3111-192

3111-193

3111-194

3111-195

3111-196

3111-197

3111-198

3111-199

3111-200

3111-201

3111-202

3111-203

3111-204

3111-205

3111-206

3111-207

3111-208

3111-209

3111-210

3111-211

3111-212

3111-213

3111-214

3111-215

3111-216

3111-217

3111-218

3111-219

3111-220

3111-221

3111-222

3111-223

3111-224

3111-225

3111-226

3111-227

3111-228

3111-229

3111-230

3111-231

3111-232

3111-233

3111-234

3111-235

3111-236

3111-237

3111-238

3111-239

3111-240

3111-241

3111-242

3111-243

3111-244

3111-245

3111-246

3111-247

3111-248

3111-249

3111-250

3111-251

3111-252

3111-253

3111-254

3111-255

3111-256

3111-257

3111-258

3111-259

3111-260

3111-261

3111-262

3111-263

3111-264

3111-265

3111-266

3111-267

3111-268

3111-269

3111-270

3111-271

3111-272

3111-273

3111-274

3111-275

3111-276

3111-277

3111-278

3111-279

3111-280

3111-281

3111-282

3111-283

3111-284

3111-285

3111-286

3111-287

3111-288

3111-289

3111-290

3111-291

3111-292

3111-293

3111-294

3111-295

3111-296

3111-297

3111-298

3111-299

3111-300

3111-301

3111-302

3111-303

3111-304

3111-305

3111-306

3111-307

3111-308

3111-309

3111-310

3111-311

3111-312

3111-313

3111-314

3111-315

3111-316

3111-317

3111-318

3111-319

3111-320

3111-321

3111-322

3111-323

3111-324

3111-325

3111-326

3111-327

3111-328

3111-329

3111-330

3111-331

3111-332

3111-333

3111-334

3111-335

3111-336

3111-337

3111-338

3111-339

3111-340

3111-341

3111-342

3111-343

3111-344

3111-345

3111-346

3111-347

3111-348

3111-349

3111-350

3111-351

3111-352

3111-353

3111-354

3111-355

3111-356

3111-357

3111-358

3111-359

3111-360

3111-361

3111-362

3111-363

3111-364

3111-365

3111-366

3111-367

3111-368

3111-369

3111-370

3111-371

3111-372

3111-373

3111-374

3111-375

3111-376

3111-377

3111-378

3111-379

3111-380

3111-381

3111-382

3111-383

3111-384

3111-385

3111-386

3111-387

3111-388

3111-389

3111-390

3111-391

3111-392

3111-393

3111-394

3111-395

3111-396

3111-397

3111-398

3111-399

3111-400

3111-401

3111-402

3111-403

3111-404

3111-405

3111-406

3111-407

3111-408

3111-409

3111-410

3111-411

3111-412

3111-413

3111-414

3111-415

3111-416

3111-417

3111-418

3111-419

3111-420

3111-421

3111-422

3111-423

3111-424

3111-425

3111-426

3111-427

3111-428

3111-429

3111-430

3111-431

3111-432

3111-433

3111-434

3111-435

3111-436

3111-437

3111-438

3111-439

3111-440

3111-441

3111-442

3111-443

3111-444

3111-445

3111-446

3111-447

3111-448

3111-449

3111-450

3111-451

3111-452

3111-453

3111-454

3111-455

3111-456

3111-457

3111-458

3111-459

3111-460

3111-461

3111-462

3111-463

3111-464

3111-465

3111-466

3111-467

3111-468

3111-469

3111-470

3111-471

3111-472

3111-473

3111-474

3111-475

3111-476

3111-477

3111-478

3111-479

3111-480

3111-481

3111-482

3111-483

3111-484

3111-485

3111-486

3111-487

3111-488

3111-489

3111-490

3111-491

3111-492

3111-493

3111-494

3111-495

3111-496

3111-497

3111-498

3111-499

3111-500

3111-501

3111-502

3111-503

3111-504

3111-505

3111-506

3111-507

3111-508

3111-509

3111-510

3111-511

3111-512

3111-513

3111-514

3111-515

3111-516

3111-517

3111-518

3111-519

3111-520

3111-521

3111-522

3111-523

3111-524

3111-525

3111-526

3111-527

3111-528

3111-529

3111-530

3111-531

3111-532

3111-533

3111-534

3111-535

3111-536

3111-537

3111-538

3111-539

3111-540

3111-541

3111-542

3111-543

3111-544

3111-545

3111-546

3111-547

3111-548

3111-549

3111-550

3111-551

3111-552

3111-553

3111-554

3111-555

3111-556

3111-557

3111-558

3111-559

3111-560

3111-561

3111-562

3111-563

3111-564

3111-565

3111-566

3111-567

3111-568

3111-569

3111-570

3111-571

3111-572

3111-573

3111-574

3111-575

3111-576

3111-577

3111-578

3111-579

3111-580

3111-581

3111-582

3111-583

3111-584

3111-585

3111-586

3111-587

3111-588

3111-589

3111-590

3111-591

3111-592

3111-593

3111-594

3111-595

3111-596

3111-597

3111-598

3111-599

3111-600

3111-601

3111-602

3111-603

3111-604

3111-605

3111-606

3111-607

3111-608

3111-609

3111-610

3111-611

3111-612

3111-613

3111-614

3111-615

3111-616

3111-617

3111-618

3111-619

3111-620

3111-621

3111-622

3111-623

3111-624

3111-625

3111-626

3111-627

3111-628

3111-629

3111-630

3111-631

3111-632

3111-633

3111-634

3111-635

3111-636

3111-637

3111-638

3111-639

3111-640

3111-641

3111-642

3111-643

3111-644

3111-645

3111-646

3111-647

3111-648

3111-649

3111-650

3111-651

3111-652

3111-653

3111-654

3111-655

3111-656

3111-657

3111-658

3111-659

3111-660

3111-661

3111-662

3111-663

3111-664

3111-665

3111-666

3111-667

3111-668

3111-669

3111-670

3111-671

3111-672

3111-673

3111-674

3111-675

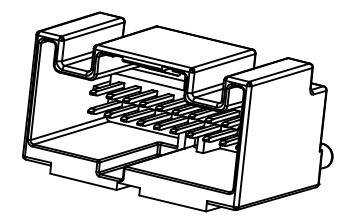
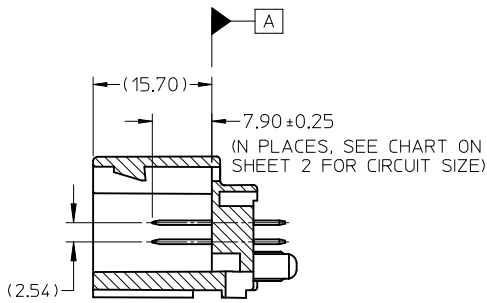
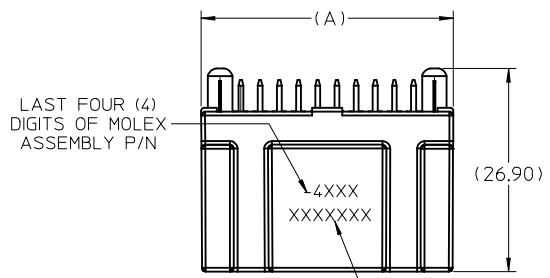
3111-676

3111-677

3111-678

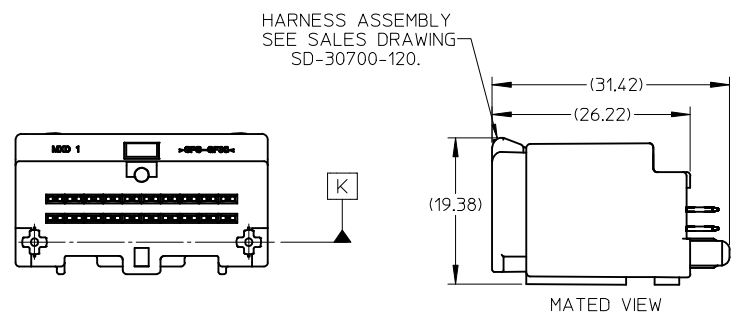
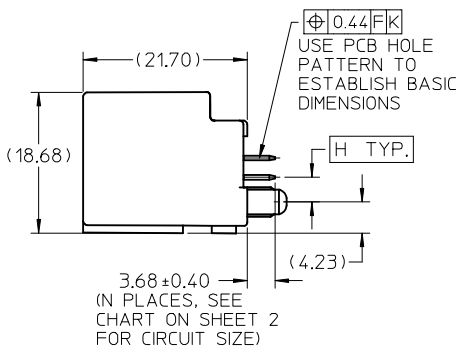
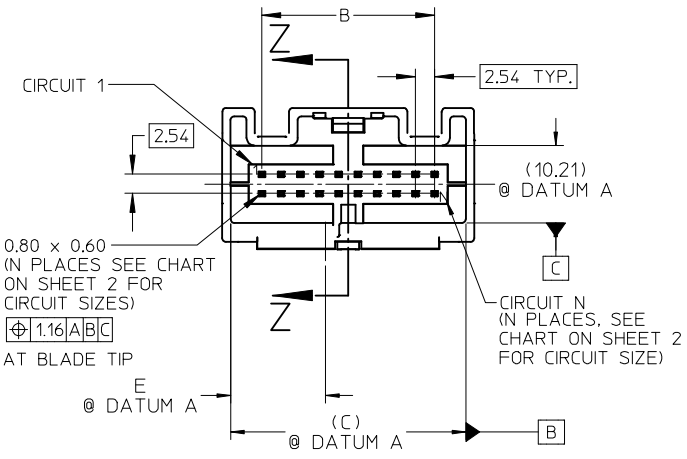
3111-679

31



SECTION Z-Z

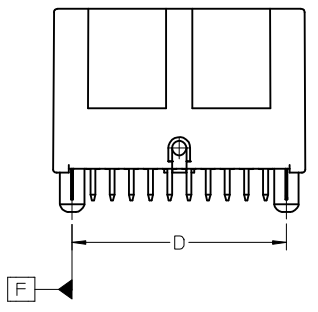
DATECODE, SEE NOTE 6



NOTES:

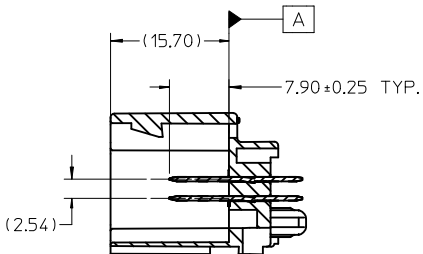
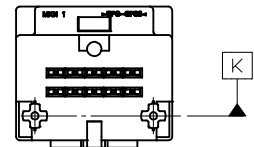
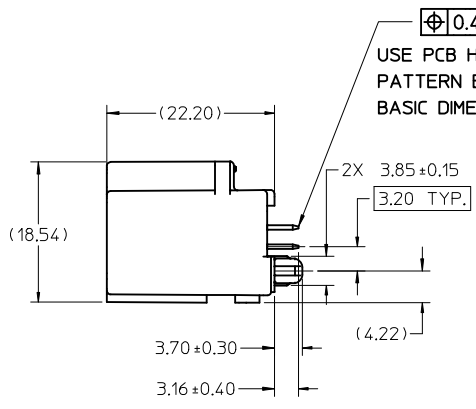
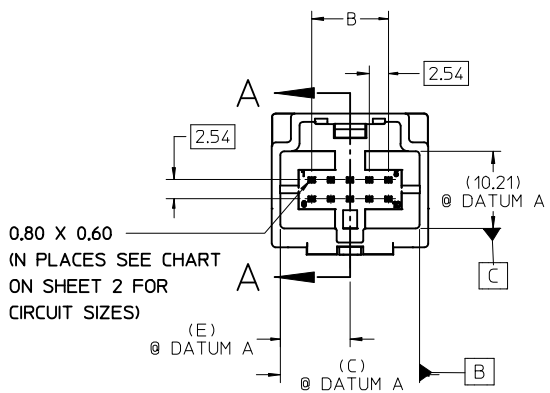
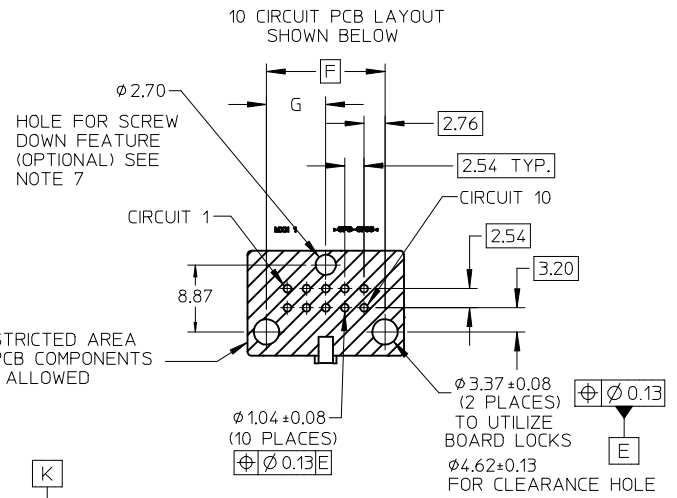
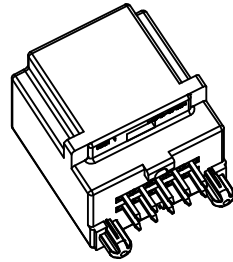
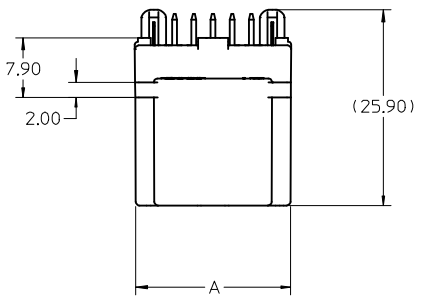
- MATERIAL: HOUSING: SPS, GLASS FILLED, COLOR: SEE CHART. TERMINAL: COPPER ALLOY C26000.
- FINISHES: TERMINAL: TIN(Sn) OVERALL, NICKEL (Ni) UNDERPLATE OVERALL.
- PRODUCT SPECIFICATION: PS-30700-0001
- PACKAGING SPECIFICATION: TUBE: PK-30907-227, TRAY: PK-30907-260
- MATES WITH: SERIES 30700, SEE SALES DRAWING SD-30700-120.
- DATECODE DESCRIPTION:
 - 1ST DIGIT: MACHINE ID#
 - 2ND THROUGH 4TH DIGIT: DAY # OF THE CALENDAR YEAR (EXAMPLE: FEB. 3RD = "034")
 - 5TH DIGIT: LAST DIGIT OF THE CALENDAR YEAR (EXAMPLE: 1999 = "9")
 - 6TH THROUGH 7TH DIGIT: HOUR OF THE DAY.
- RECOMMENDED OPTIONAL SCREW: M2 x 0.89, 6mm IN LENGTH, PAN COLLAR HEAD, 6 LOBE, TORQUE: 7 NEWTON CENTIMETERS

20 CIRCUIT VERTICAL HEADER ASSEMBLY SHOWN

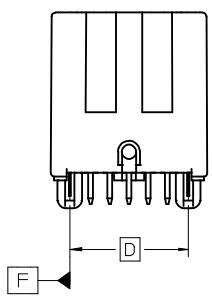


SEE ECN# UAU2001-0258 EC NO: UAU2013-0064 DRWN: JFISCHERO 2012/07/12 CHKD: APPR: SMARCEAU2012/07/13	QUALITY SYMBOLS	GENERAL TOLERANCES (UNLESS SPECIFIED)		SCALE 2:1	DESIGN UNITS METRIC	THIRD ANGLE PROJECTION	REVISE ON CAD ONLY
	DESCRIPTION REV	4 PLACES	mm	INCH	DIMENSION STYLE MM ONLY		TITLE
		3 PLACES			DRAWN BY R. CARLSON	DATE 01/03/20	
		2 PLACES			CHECKED BY C. KRISHNA	DATE 01/03/27	
1 PLACE			APPROVED BY L. GEIB	DATE 01/03/28			
		DRAFT WHERE APPLICABLE		THIS DRAWING CONTAINS INFORMATION THAT IS PROPRIETARY TO MOLEX INCORPORATED AND SHOULD NOT BE USED WITHOUT WRITTEN PERMISSION			
		MUST REMAIN WITHIN DIMENSIONS					

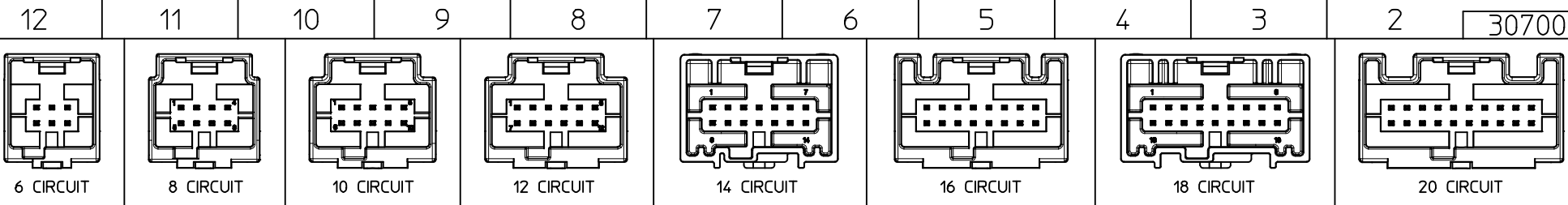
THESE VIEWS APPLY TO 31390-4XXX PART NUMBERS



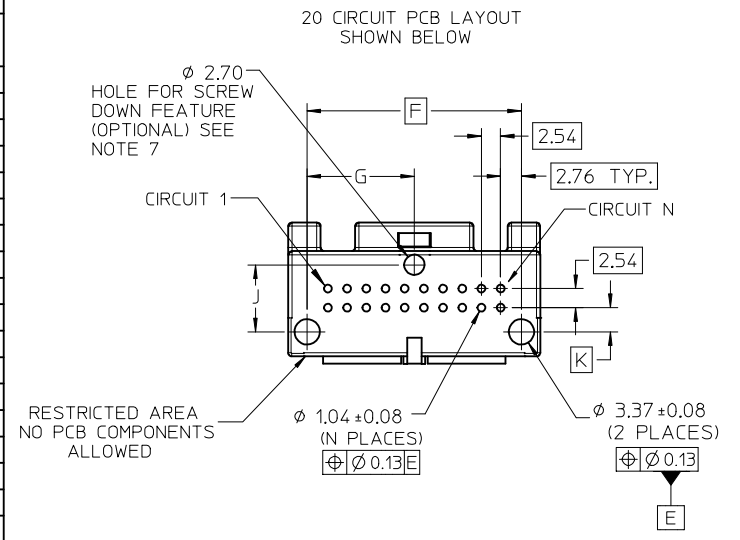
SECTION A-A
SCALE 2:1



EC NO: UAU2013-0064 DRWN: JFISCHERO 2012/07/12 CHKD: APPR: SMARCEAU2012/07/13	QUALITY SYMBOLS ▽ - 0 ▽ - 0	GENERAL TOLERANCES (UNLESS SPECIFIED)		SCALE 1:1	DESIGN UNITS METRIC	THIRD ANGLE PROJECTION	REVISE ON CAD ONLY	
		4 PLACES ± --- ± --- 3 PLACES ± --- ± --- 2 PLACES ± 0.13 ± --- 1 PLACE ± 0.25 ± ---	mm INCH	DIMENSION STYLE MM ONLY		TITLE 6-20 CIRCUIT VERTICAL HEADER ASSEMBLY		
		DRAFT WHERE APPLICABLE MUST REMAIN WITHIN DIMENSIONS		DRAWN BY RCARLSON CHECKED BY CKRISHNA APPROVED BY LGIEIB	DATE 01/03/20 DATE 01/03/27 DATE 01/03/28	MATERIAL NO. ENTER-PART SD-30700-420 DOCUMENT NO. SD-30700-420 SHEET NO. 2 OF 3		
		THIS DRAWING CONTAINS INFORMATION THAT IS PROPRIETARY TO MOLEX INCORPORATED AND SHOULD NOT BE USED WITHOUT WRITTEN PERMISSION						



PACKAGING		POLARIZATION OPTIONS & CIRCUIT SIZE		PRODUCT DIMENSIONS						HOUSING COLOR
ASSEMBLY P/N TRAY PACKED	ASSEMBLY P/N TUBE PACKED	VERTICAL HEADER ASSEMBLY (POLARIZATION OPTIONS)	CIRCUIT SIZE	(A)	B	(C)	D	E	H	
30700-4200	30700-4204	POLARIZATION OPTION #1	20	33.38	22.86	31.14	28.38	12.57	3.20	GRAY
30700-4201	30700-4205	POLARIZATION OPTION #2	20	33.38	22.86	31.14	28.38	15.57		BLACK
30700-4202	30700-4206	POLARIZATION OPTION #3	20	33.38	22.86	31.14	28.38	18.57		NATURAL (CREAM)
30700-4187	---	POLARIZATION OPTION #1	18	30.84	20.32	28.60	25.84	11.31	3.25	GRAY
30700-4188	---	POLARIZATION OPTION #2	18	30.84	20.32	28.60	25.84	14.31		BLACK
30700-4189	---	POLARIZATION OPTION #3	18	30.84	20.32	28.60	25.84	17.31		NATURAL (CREAM)
30700-4160	30700-4164	POLARIZATION OPTION #1	16	28.30	17.78	26.06	23.30	10.04	3.20	GRAY
30700-4161	30700-4165	POLARIZATION OPTION #2	16	28.30	17.78	26.06	23.30	13.04		BLACK
30700-4162	30700-4166	POLARIZATION OPTION #3	16	28.30	17.78	26.06	23.30	16.04		NATURAL (CREAM)
30700-4147	---	POLARIZATION OPTION #1	14	25.76	15.24	23.52	20.76	8.77	3.25	GRAY
30700-4148	---	POLARIZATION OPTION #2	14	25.76	15.24	23.52	20.76	11.77		BLACK
30700-4149	---	POLARIZATION OPTION #3	14	25.76	15.24	23.52	20.76	14.77		NATURAL (CREAM)
30700-4120	30700-4124	POLARIZATION OPTION #1	12	23.22	12.70	20.98	18.22	7.50	3.20	GRAY
30700-4121	30700-4125	POLARIZATION OPTION #2	12	23.22	12.70	20.98	18.22	10.50		BLACK
30700-4122	30700-4126	POLARIZATION OPTION #3	12	23.22	12.70	20.98	18.22	13.50		NATURAL (CREAM)
30700-4100	30700-4104	POLARIZATION OPTION #1	10	20.68	10.16	18.44	15.68	6.23	3.20	GRAY
30700-4101	30700-4105	POLARIZATION OPTION #2	10	20.68	10.16	18.44	15.68	9.23		BLACK
30700-4102	30700-4106	POLARIZATION OPTION #3	10	20.68	10.16	18.44	15.68	12.23		NATURAL (CREAM)
30700-4080	30700-4084	POLARIZATION OPTION #1	8	18.14	7.62	15.90	13.14	4.96	3.20	GRAY
30700-4081	30700-4085	POLARIZATION OPTION #2	8	18.14	7.62	15.90	13.14	7.96		BLACK
30700-4082	30700-4086	POLARIZATION OPTION #3	8	18.14	7.62	15.90	13.14	10.96		NATURAL (CREAM)
30700-4060	30700-4064	POLARIZATION OPTION #1	6	15.60	5.08	13.36	10.60	3.69	3.20	GRAY
30700-4061	30700-4065	POLARIZATION OPTION #2	6	15.60	5.08	13.36	10.60	6.69		BLACK
30700-4062	30700-4066	POLARIZATION OPTION #3	6	15.60	5.08	13.36	10.60	9.69		NATURAL (CREAM)
31390 SERIES DENOTES HDAC WITH SIDE STRAIN RELIEF WINGS AS SHOWN ON SHEET 3										
PACKAGING		POLARIZATION OPTIONS & CIRCUIT SIZE		PRODUCT DIMENSIONS						HOUSING COLOR
ASSEMBLY P/N TRAY PACKED	ASSEMBLY P/N TUBE PACKED	VERTICAL HEADER ASSEMBLY (POLARIZATION OPTIONS)	CIRCUIT SIZE	(A)	B	(C)	D	E	H	
31390-4101	31390-4105	POLARIZATION OPTION #2	10	20.69	10.16	18.44	15.68	9.22		BLACK



PCB LAYOUT: COMPONENT SIDE
RECOMMENDED PCB THICKNESS: 1.57±0.17

PCB LAYOUT DIMENSIONS				
CIRCUIT SIZE (N)	F	G	J	K
20	28.38	14.19	8.87	3.20
18	25.84	12.92	8.94	3.25
16	23.30	11.65	8.87	3.20
14	20.76	10.38	8.94	3.25
12	18.22	9.11	8.87	3.20
10	15.68	7.84	8.87	3.20
8	13.14	6.57	8.87	3.20
6	10.60	5.30	8.87	3.20

SEE ECN# UAU2001-0258 EC NO: UAU2013-0064 DRWN: JFISCHER 2012/07/12 CHKD: APPR: SMARCEAL 2012/07/13 REV	QUALITY SYMBOLS	GENERAL TOLERANCES (UNLESS SPECIFIED) <table border="1"> <tr><th></th><th>mm</th><th>INCH</th></tr> <tr><td>4 PLACES</td><td>± ---</td><td>± ---</td></tr> <tr><td>3 PLACES</td><td>± ---</td><td>± ---</td></tr> <tr><td>2 PLACES</td><td>± 0.13</td><td>± ---</td></tr> <tr><td>1 PLACE</td><td>± 0.25</td><td>± ---</td></tr> </table> ANGULAR ± 1° DRAFT WHERE APPLICABLE MUST REMAIN WITHIN DIMENSIONS		mm	INCH	4 PLACES	± ---	± ---	3 PLACES	± ---	± ---	2 PLACES	± 0.13	± ---	1 PLACE	± 0.25	± ---	SCALE 2:1	DESIGN UNITS METRIC	THIRD ANGLE PROJECTION	REVISE ON CAD ONLY
			mm	INCH																	
	4 PLACES		± ---	± ---																	
	3 PLACES		± ---	± ---																	
2 PLACES	± 0.13	± ---																			
1 PLACE	± 0.25	± ---																			
DESCRIPTION	DIMENSION STYLE MM ONLY	TITLE	6-20 CIRCUIT VERTICAL HEADER ASSEMBLY																		
DATE	DRAWN BY R. CARLSON	DATE 01/03/20	MOLEX INCORPORATED																		
DATE	CHECKED BY C. KRISHNA	DATE 01/03/27	ENTER-PART SD-30700-420																		
DATE	APPROVED BY L. GEIB	DATE 01/03/28	MATERIAL NO.	DOCUMENT NO.	SHEET NO.																
					3 OF 3																
THIS DRAWING CONTAINS INFORMATION THAT IS PROPRIETARY TO MOLEX INCORPORATED AND SHOULD NOT BE USED WITHOUT WRITTEN PERMISSION																					