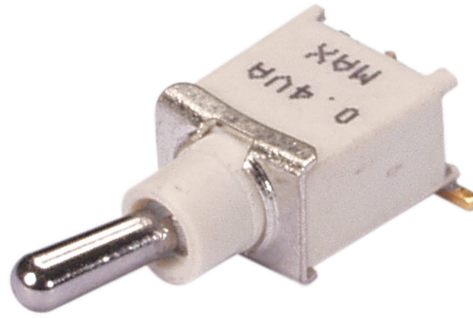


## SERIES 34E Sealed Surface Mount Toggle Switches

### FEATURES

- Save Space and Weight
- SPDT Circuitry
- Choice of Actuators and Terminations
- Sealed per IP67



### MODELS in inches (and millimeters)

**M6**

**SPDT**

MODEL NO.	SWITCH POSITION		
WMSP1	ON	NONE	ON
WMSP2	ON	NONE	(ON)
WMSP3	ON	OFF	ON
WMSP4	(ON)	OFF	(ON)
WMSP5	ON	OFF	(ON)
TERM. COMM.	2-3	OPEN	2-1

( )=MOMENTARY

SCHEMATIC

**S6**

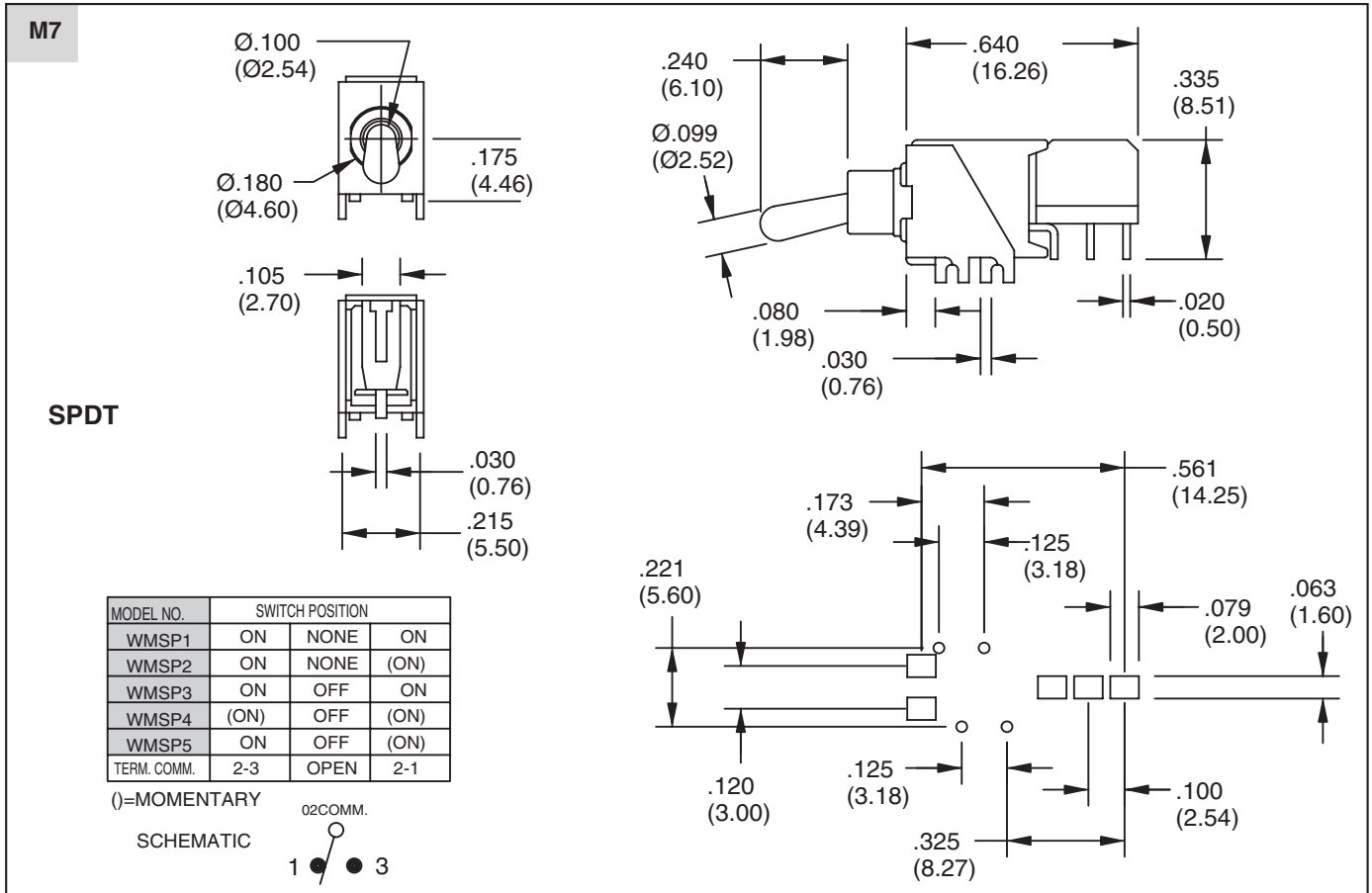
**SPDT**

MODEL NO.	SWITCH POSITION		
WMSP1	ON	NONE	ON
WMSP2	ON	NONE	(ON)
WMSP3	ON	OFF	ON
WMSP4	(ON)	OFF	(ON)
WMSP5	ON	OFF	(ON)
TERM. COMM.	2-3	OPEN	2-1

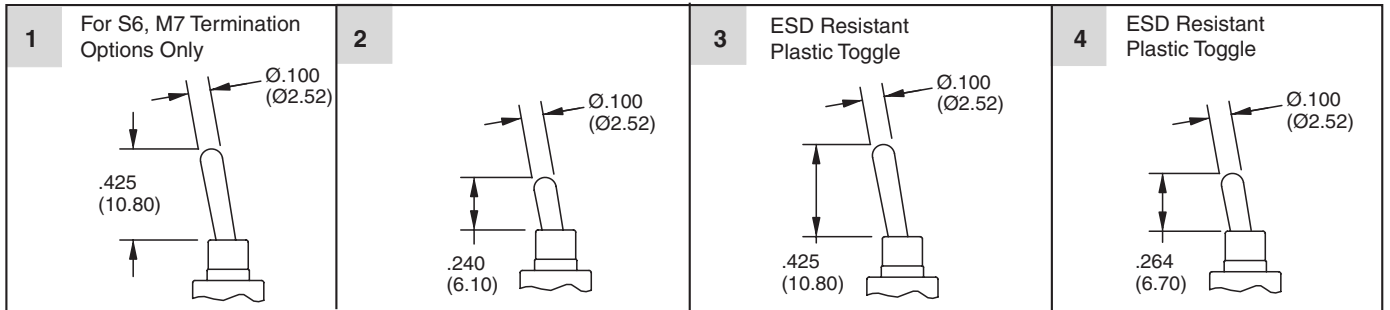
( )=MOMENTARY

SCHEMATIC

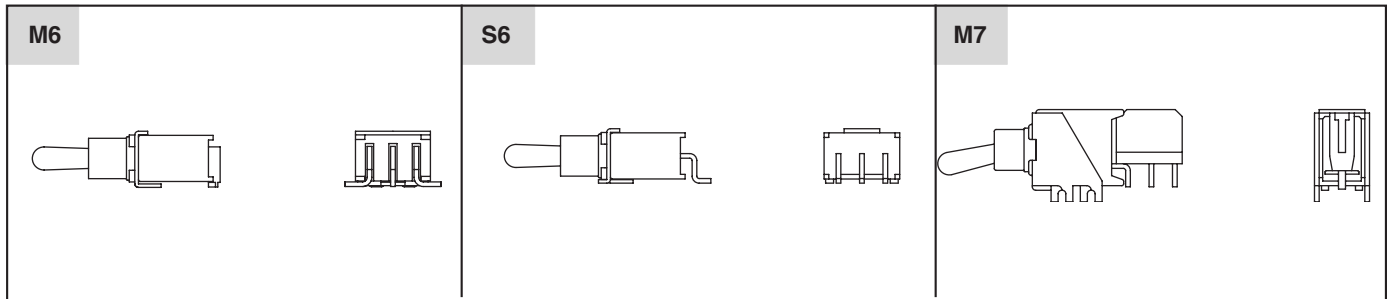
Toggle Switches



**ACTUATOR OPTIONS** in inches (and millimeters)

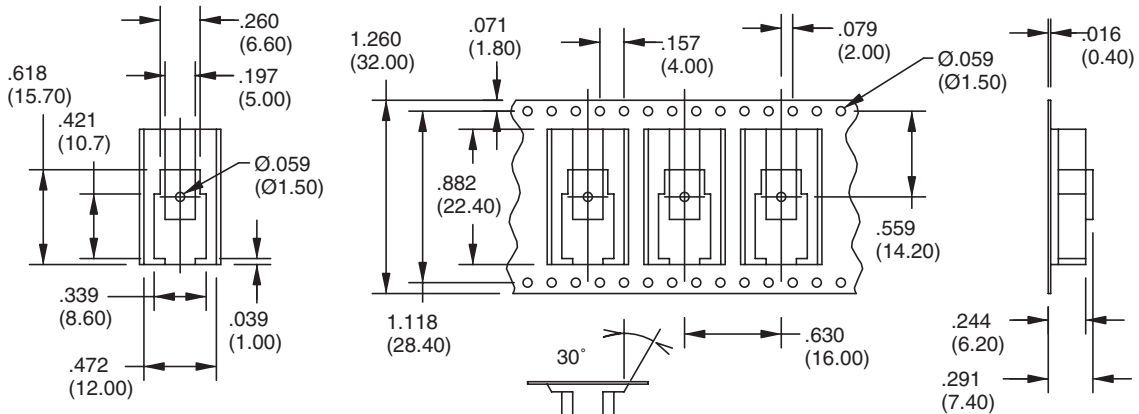


**TERMINATION OPTIONS**

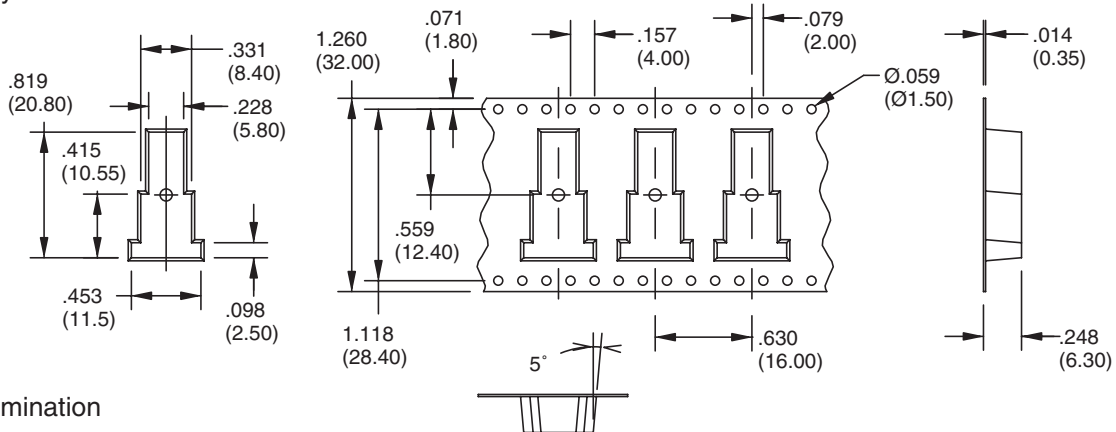


**TAPE AND REEL PACKAGING** in inches (and millimeters)

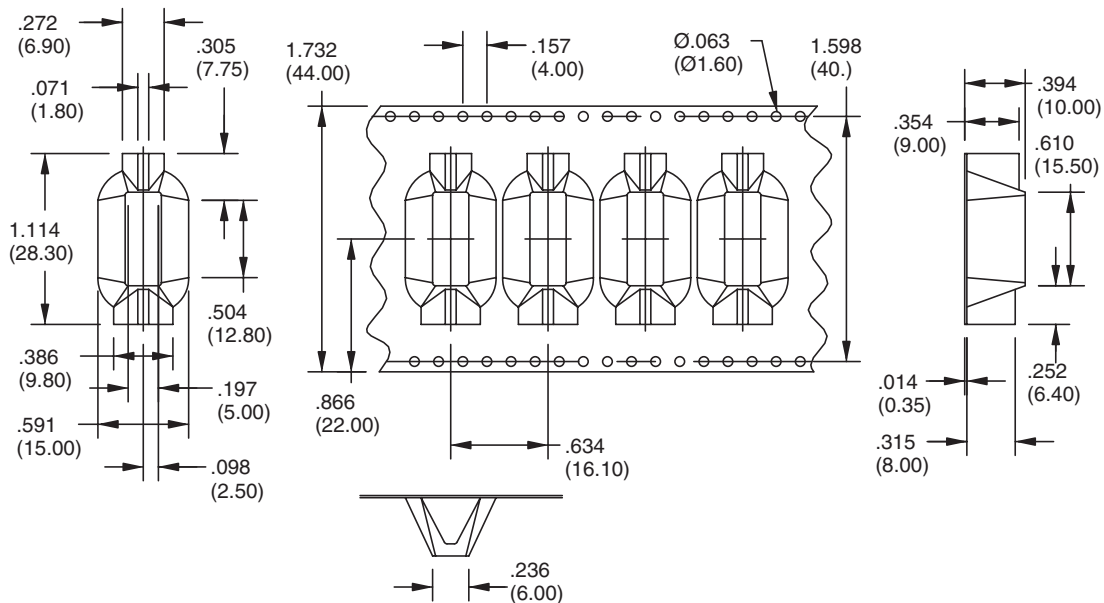
For M6 Termination  
Option Only



For S6 Termination  
Option Only



For M7 Termination  
Option Only



### SPECIFICATIONS

#### RATINGS

**Contact Rating:** 0.4 VA max. @ 20V max. (AC or DC)

**Mechanical and Electrical Life:** 30,000 make-and-break cycles at full load

**Contact Resistance:** 20 milliohms max. typ. initial @ 2-4 VDC, 100 mA

**Insulation Resistance:** 1,000 megaohms minimum

**Dielectric Strength:** 1,500 V RMS @ sea level

**Operating Temperature:** -30°C to 85°C

#### MATERIALS

**Case and Bushings:** Glass-filled nylon 4/6, flame retardant, heat stabilized (UL94V-0)

**Actuator:** Brass, chrome plated

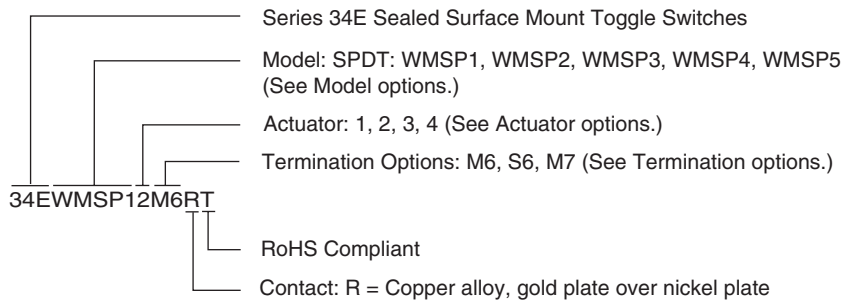
**Contacts:** Copper alloy, gold plate over nickel plate

**Terminals:** Copper alloy, tin plate over nickel plate

**Terminal Seal:** Epoxy

**Tape and Reel:** 500 pcs/per reel

### ORDERING INFORMATION



Available from your local Grayhill Component Distributor.

For prices and discounts, contact a local Sales Office, an authorized local Distributor or Grayhill.