

REFERENCE SPECIFICATIONS

-NFC 93425 (in compliance with HE 507)

PHYSICAL CHARACTERISTICS

-INSULATOR MATERIAL: THERMOPLASTIC ,UL94V0

-CONTACT MATERIAL: BRASS

-ACCESSORIES: BRASS

-SHELLS: STEEL

ELECTRICAL CHARACTERISTICS

-NOMINAL CURRENT: 40A

-CONTACT RESISTANCE: <= 7.3 mOhms

-CONTACT/CONTACT : >=1000 V

-CONTACT/GROUND : >=1200 V

-INSULATION RESISTANCE: >=5000 MOhms

- CLIMATIC CATEGORY: 55/125/21

TEMPERATURE RANGE -55°C TO +125°C

DAMP HEAT STEADY STATE 21 DAYS

SALT SPRAY 24 HOURS

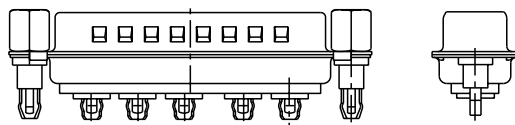
- RETENTION AGAINST TORQUE: - Threaded insert: 0.7 N.m minimum
- Female screw : 0.5 N.m minimum

PRESS FIT PERFORMANCES

PRESS FIT CONTACTS	
INSERTION FORCE	<= 200 N Average insertion 160N
EXTRACTION FORCE	>= 30 N

NOTE RoHS INFORMATION

- The "LF" products meet european union Directives and other country regulations as described in GS-22-008.
- Termination plating spec:
 - Ni 1.27µm+Sn 0.5 to 1.5µm(pure bright)
- Active area plating spec:
 - Ni + Gold
- Shell plating : 2 to 4µm Cu + Ni + 3 to 10µm Sn(pure bright)
- Accessories: Sn pure bright + nickel
- Packaging spec: See GS-14-920



5W5 FOR EXAMPLE

DBL5W5P93C5G40LF

Series

Shell size: **E A B C**
see sheet 2

Front accessory definition
see sheet 2

- L** : threaded insert M3
- O** : threaded insert UNC 4-40
- V** : female screw UNC 4-40

Layout of contacts (see sheet 3)

Contacts

P : Pin

Termination type

93 C Straight version

Plating

- 5** 200 matings/unmatings
- 6** 500 matings/unmatings

PCB accessories definition
see sheet 2

G : Harpoon used for PCB thickness from 1.60 mm

Power contacts

40 : Fitted with power contacts 40 Amp.

See note RoHS

TABLE 1: PCB HOLE DIAMETERS

P.C.B HOLE DEFINITION	DRILL DIAMETER	SnPb holes for CONTACTS	Sn holes for CONTACTS	holes ACCESSORIES
		Ø3.22 REF(NOTE 3)	Ø3.22 REF(NOTE 3)	Ø3.10±0.10
(NOTE 1 AND 2)	DRILLED HOLE	Ø3.19-3.25	Ø3.19-3.25	
	COPPER PLATING	25µ MINI (RECOMMENDED 50µ MAXI)	25µ MINI (RECOMMENDED 50µ MAXI)	
	TIN-LEAD PLATING	15µ MAXI (RECOMMENDED 5µ MINI)		
	TIN PLATING		0.8 to 1,2µ	
	FINISH HOLE (AFTER REFLOW)	Ø 3.02-3.20	Ø3.08-3.20	

NOTE-1: THESE DIMENSIONS MUST BE RESPECT TO SECURE PRESS-FIT PIN PERFORMANCES.

NOTE-2: ACCORDING TO IEC-352-5 SPEC.

NOTE-3: MAJOR REQUIREMENT FOR PRESS FIT PIN PERFORMANCE

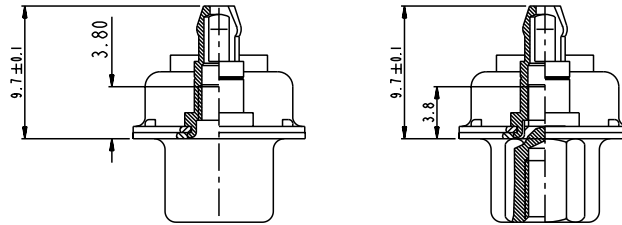
www.fciconnect.com		surface	tolerance std	projection	mm
		ISO 1302	ISO 406 ISO 1101	mm	
		TOLERANCES UNLESS OTHERWISE SPECIFIED			
Dr	M PESSON	11/10/05	ANGULAR	LINEAR	size A2 Scale 2:1
Eng	11/10/05	P LEGARE	0.X	±0.3	ECN LS07-0273
Chr			0.XX	±0.1	Spec ref
Appr			0.XXX	±0.05	
Product family		SUB MALE DW			
full power straight press fit		catag no		deg no	Rev.
				C01-8639-2321	C
				Y	sheet 1 of 4

rev	ccn no	dr	date
B	LS06-0208	LGO	2006/12/13
C	LS07-0273	MPE	2007/11/05
-	-	-	-
-	-	-	-
-	-	-	-
-	-	-	-

Copyright FCI, FCI

1 2 3 4 5 6 7 8

A



B

FRONT ACCESSORIES	L insert M3	V insert UNC 4.40
	O insert UNC 4.40	
PCB ACCESSORY	G Harpoon for PCB from 1.60mm	G Harpoon for PCB from 1.60mm

C

PART NUMBER	AMPS	MATINGS/ UNMATINGS	FRONT ACCESSORIES	PCB ACCESSORY
D*LxWxP93C5G40LF	40	200	insert M3	harpoon PCB from 1.60mm
D*OxWxP93C5G40LF	40	200	insert UNC 4.40	harpoon PCB from 1.60mm
D*VxWxP93C5G40LF	40	200	female screw UNC 4.40	harpoon PCB from 1.60mm

shell size LAYOUTS
 * xWx
 E 2V2
 A 3V3
 A 3W3
 B 5W5
 C 8W8

PART NUMBER	AMPS	MATINGS/ UNMATINGS	FRONT ACCESSORY	PCB ACCESSORIES
D*LxWxP93C6G40LF	40	500	insert M3	harpoon PCB from 1.60mm
D*OxWxP93C6G40LF	40	500	insert UNC 4.40	harpoon PCB from 1.60mm
D*VxWxP93C6G40LF	40	500	female screw UNC 4.40	harpoon PCB from 1.60mm

D

E



Copyright FCI.

F

www.fciconnect.com		surface - ISO 1302	tolerance std ISO 406 ISO 1101	projection mm
		TOLERANCES UNLESS OTHERWISE SPECIFIED		
Dr M PESSON	11/10/05	ANGULAR	0.X ±0.3	size A2 Scale 2:1
Eng 11/10/05	P LEGARE	LINEAR	0.XX ±0.1	ECN LS07-0273
Chr		0° ±2°	0.XXX ±0.05	Spec ref
Appr		Product family		
FCI		SUB MALE DW		Rev. C
		full power straight press fit		001-8639-2321
catalog no			Y	sheet 2 of 4

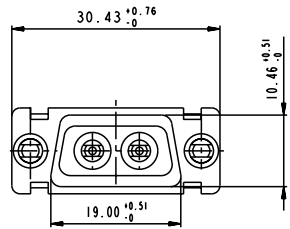
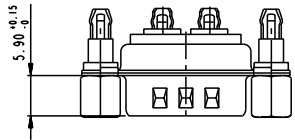
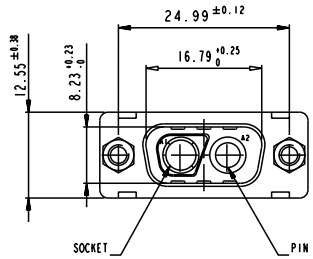
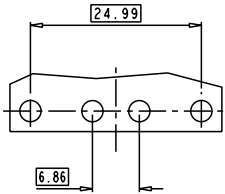
SCALE: 4

REV 7 - 2008-04-17

1 2 3 4 5 6 7 8

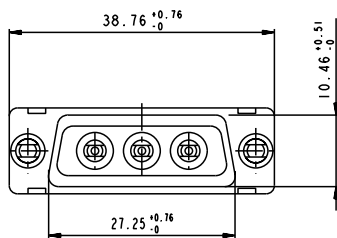
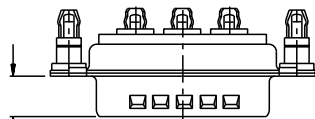
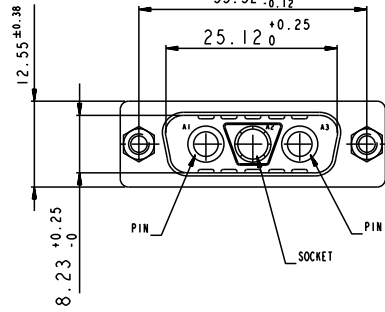
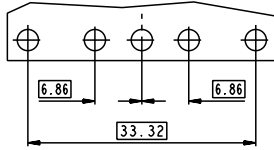
2V2

LAYOUT AND CONNECTOR DIMENSIONS
For PCB hole diameters see table I sheet 1



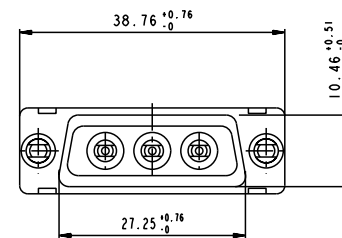
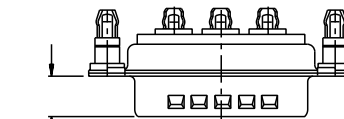
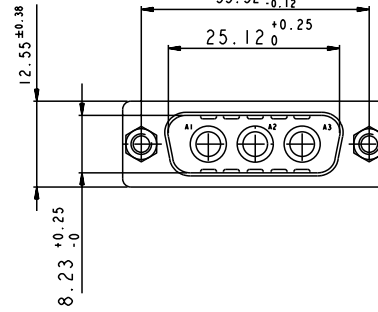
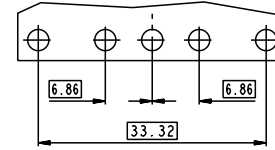
3V3

LAYOUT AND CONNECTOR DIMENSIONS
For PCB hole diameters see table I sheet 1

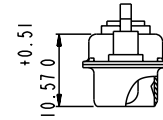


3W3

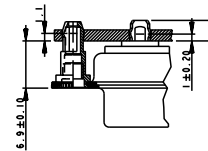
LAYOUT AND CONNECTOR DIMENSIONS
For PCB hole diameters see table I sheet 1



SIDE VIEW FOR
LAYOUTS: E A B C



DETAIL OF PRESS FIT

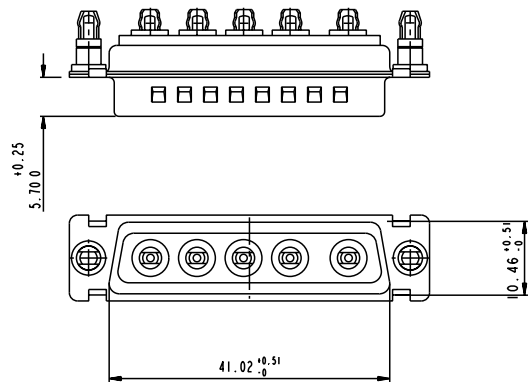
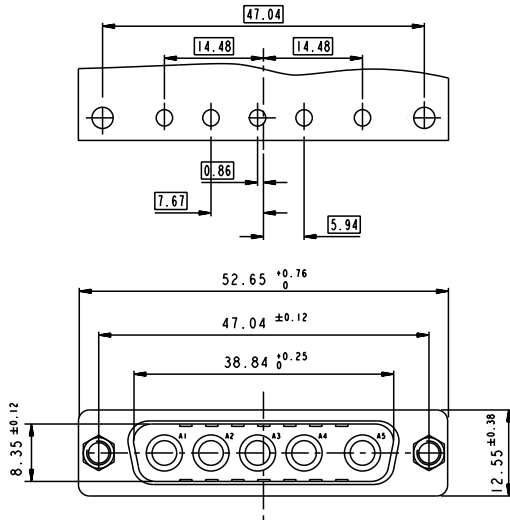


Copyright FCJ

www.fciconnect.com		surface -	tolerance std ISO 1302 ✓	projection	mm
		TOLERANCES UNLESS OTHERWISE SPECIFIED		size A2	Scale 2:1
Dr M PESSON	11/10/05	ANGULAR	0.X ±0.3	ECN	LS07-0273
Eng 11/10/05	P LEGARE	LINEAR	0.XX ±0.1	Spec ref	
Chr		0° ±2°	0.XXX ±0.05		
Appr		Product family			
FCJ		SUB MALE DW		cat no	C01-8639-2321
		full power straight press fit		Y	sheet 3 of 4
		catalog no			

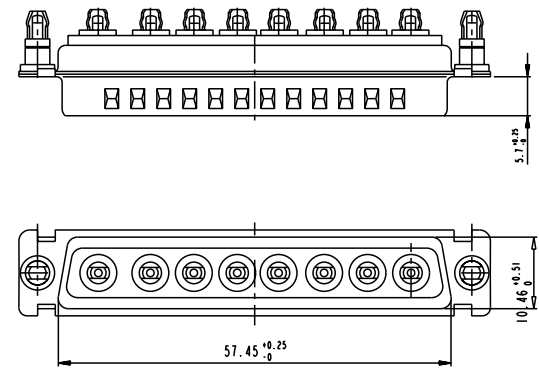
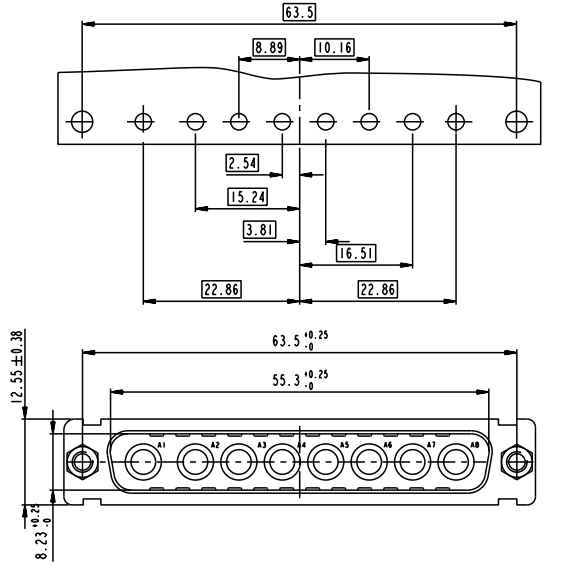
5W5 LAYOUT AND CONNECTOR DIMENSIONS

For PCB hole diameters see table 1 sheet 1



8W8 LAYOUT AND CONNECTOR DIMENSIONS

For PCB hole diameters see table 1 sheet 1



Copyright FCI,

www.fciconnect.com		surface ISO 1302	tolerance std ISO 406 ISO 1101	projection mm
		TOLERANCES UNLESS OTHERWISE SPECIFIED		
Dr M PESSON	11/10/05	ANGULAR	0.X ±0.3	size A2 Scale 2:1
Eng 11/10/05	P LEGARE	LINEAR	0.XX ±0.1	ECN LS07-0273
Chr		0° ±2°	0.XXX ±0.05	Spec ref
Appr		Product family		
		SUB MALE DW		Rev. C
		full power straight press fit		001-8639-2321
catalog no			Y	sheet 4 of 4