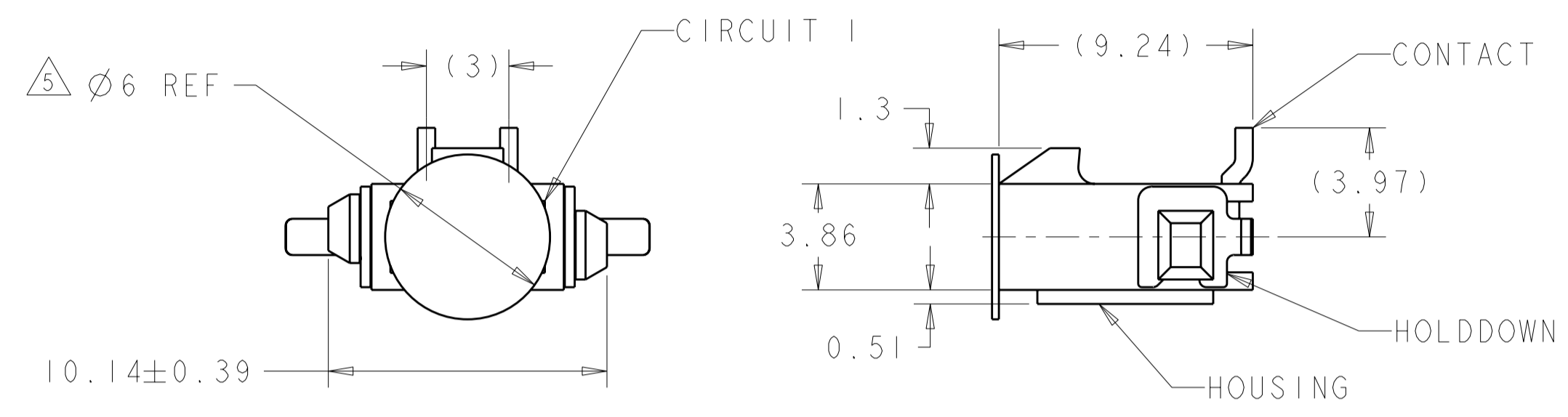
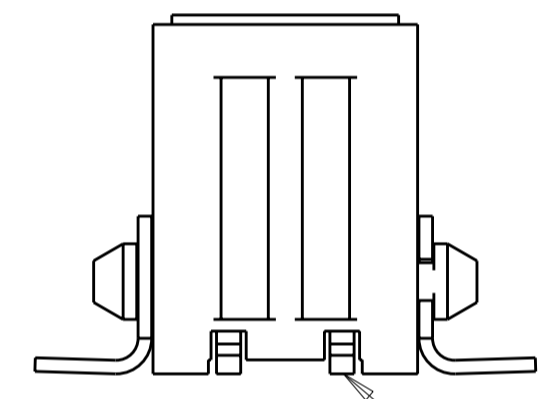


THIS DRAWING IS UNPUBLISHED. RELEASED FOR PUBLICATION 20  
 © COPYRIGHT 20 BY TYCO ELECTRONICS CORPORATION. ALL RIGHTS RESERVED.

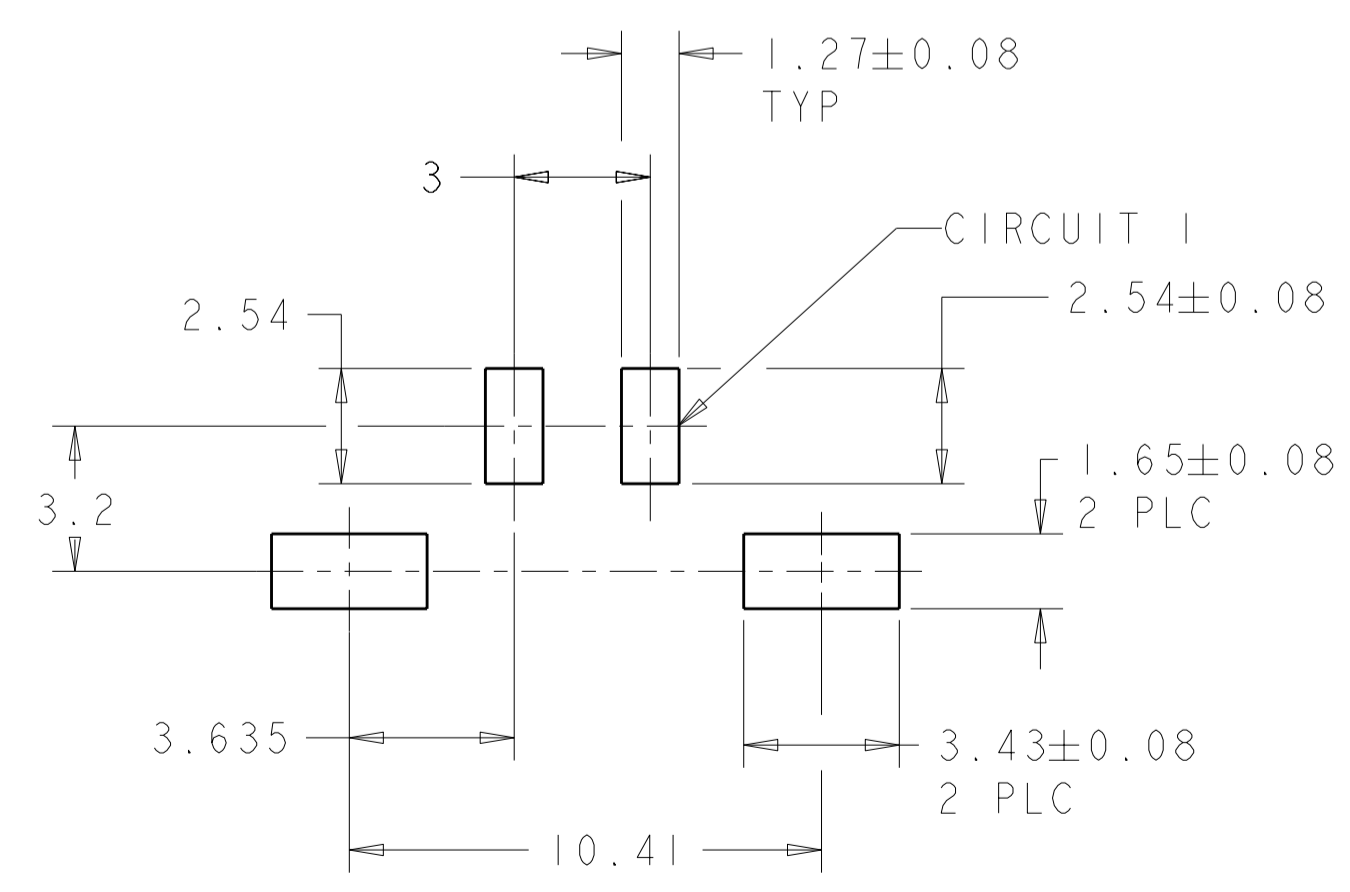
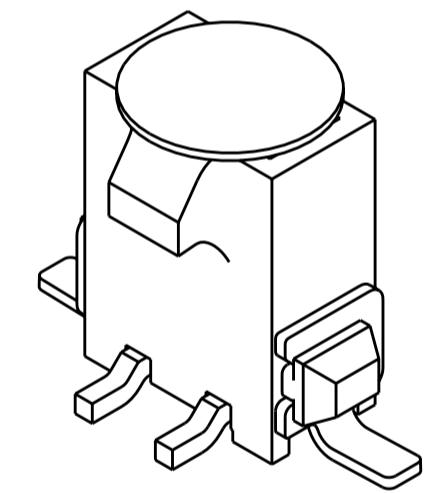
LOC	DIST	REVISIONS			
P	LTR	DESCRIPTION	DATE	DWN	APVD
CM	00	B	REVISED PER ECO-08-009599	16JUL2008	HMR CJ



- ① MATERIAL: CONTACTS - BRASS  
HOUSING - UL 94V-0 RATED HIGH TEMP NYLON, COLOR BLACK.  
HOLDDOWNS: - PHOSPHOR BRONZE.
- ② PLATING: CONTACTS - 0.76µm MINIMUM GOLD ON MATING END,  
2.54µm MINIMUM TIN ON SOLDER TAILS, BOTH OVER  
1.27µm MINIMUM NICKEL.  
HOLDDOWNS: 2.54µm MINIMUM TIN OVER 1.27µm MINIMUM  
NICKEL.
- ④ RECOMMENDED PC BOARD THICKNESS OF 1.57.
- ⑤ KAPTON VACUUM PICK UP BUTTON.
- ⑥ SPECIAL PACKAGING FOR IEC 286-3 REQUIREMENT. PARTS ORIENTED  
180° DIFFERENT IN TAPE THAN STANDARD PART NUMBER 1445096.



① 0.15  
 INCLUDES CONTACT TAILS,  
 HOUSING STANDOFFS, AND  
 BOARDLOCKS



PCB LAYOUT COMPONENT SIDE ④



②	2	2029032-2
PLATING	NO. OF POSN	PART NUMBER

THIS DRAWING IS A CONTROLLED DOCUMENT FOR TYCO ELECTRONICS CORPORATION IT IS SUBJECT TO CHANGE AND THE CONTROLLING ENGINEERING ORGANIZATION SHOULD BE CONTACTED FOR THE LATEST REVISION.		DWN K. WHITAKER 15 JAN 2008	Tyco Electronics Harrisburg, PA 17105-3608	
DIMENSIONS: mm		CHK C. JONES 15 JAN 2008	NAME VERTICAL SURFACE MOUNT HEADER ASSY, 30 MIC GOLD CONTACTS, SURF MOUNT HOLDDOWNS, SGL ROW, MICRO MATE-N-LOK	
TOLERANCES UNLESS OTHERWISE SPECIFIED: 0 PLC ±- 1 PLC ±- 2 PLC ±0.13 3 PLC ±- 4 PLC ±- ANGLES ±- FINISH ±-		APVD C. JONES 15 JAN 2008	RESTRICTED TO	
MATERIAL ① -		PRODUCT SPEC -	SIZE A200779	DRAWING NO C-2029032
SEE TABLE		APPLICATION SPEC -	SCALE 6:1	SHEET 1 OF 1
CUSTOMER DRAWING		WEIGHT -	REV B	