

## SUMMARY

### # Wires

Low	6
High	0
Coax	0
Triax	0
Quad	0
Fiber	0
Fluidic	0



*Image is for illustrative purpose only*

### Download

[Request a quote](#)

[Catalog](#)

Series	2W
Termination type	Male solder
IP rating	68
Cable Ø	1.30 - 1.50 mm
Matching parts	EVG.2W.306.CLL
Status	
Alternative part	

## TECHNICAL DETAILS

### Mechanics

Shell Style/Model	FV*: Straight plug, cable collet
Keying	
Housing Material	Brass (chrome plated) shell and collet nut, nickel plated brass latch sleeve and mid pieces
Cable Fixing	C15: 1.3 - 1.5 mm
Variant	

### Performance

Configuration	
Insulator	
Rated Current	12 Amps

### Specifications

Contact Type:	Solder
Max. Matings:	5000
Contact Dia.:	1.3 mm (0.051in)
Bucket Dia.:	1 mm (0.039in)
Max. Solid Conductor:	0.5 mm <sup>2</sup> (AWG 20)
Max. Stranded Conductor:	0.5 mm <sup>2</sup> (AWG 20)

R (max): 3.6 mOhm  
Vtest (contact-contact): 1350 V (AC) 1900 V (DC)  
Vtest (contact-shell): 1450 V (AC) 2100 V (DC)

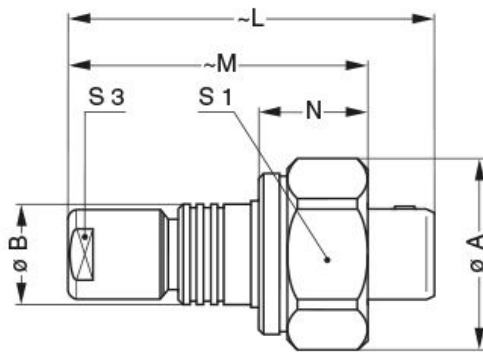
## Others

Pressure: 30 bars  
IP Rating: 68

---

## DRAWINGS

### Draws



### Dimensions

	A	B	L	M	N	S1	S3
mm.	23.5	14.0	52.5	43.0	15.5	22	12
in.	0,93	0,55	2,07	1,69	0,61	0,87	0,47

---

## RECOMMENDED BY LEMO

### Tools

None

### Cables