

## Panel Mount Lenses for T-1 (3mm) LEDs

### Description and Features

#### Series 4331, 4332, 4333, 4335, 4336, 4337

- This is a smaller version of the 4311 series lenses and is designed for T-1 LEDs rather than T-1 3/4 LEDs. The plastic lens provides protection against electrostatic discharge.

Material: Polycarbonate

Mounting Hole: Snap into Ø.170-.174 hole in panels  
.030-.060 thick.

MODEL	LENS COLOR
4331	Red
4332	Clear
4333	Amber
4335	Green
4336	Blue
4337	Yellow

#### Series 4351 thru 4357

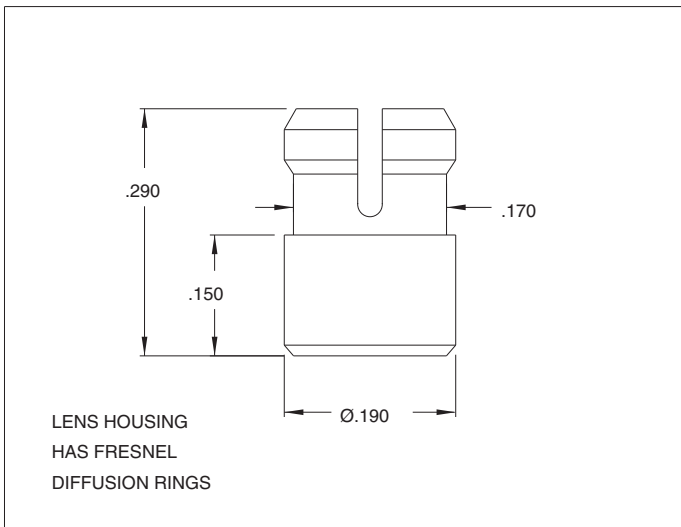
- Attractive snap-in panel lenses provide wide-angle viewing plus mechanical security and electrostatic discharge protection. Ideal for use with T-1 LEDs such as 4303F series.

Material: Polycarbonate

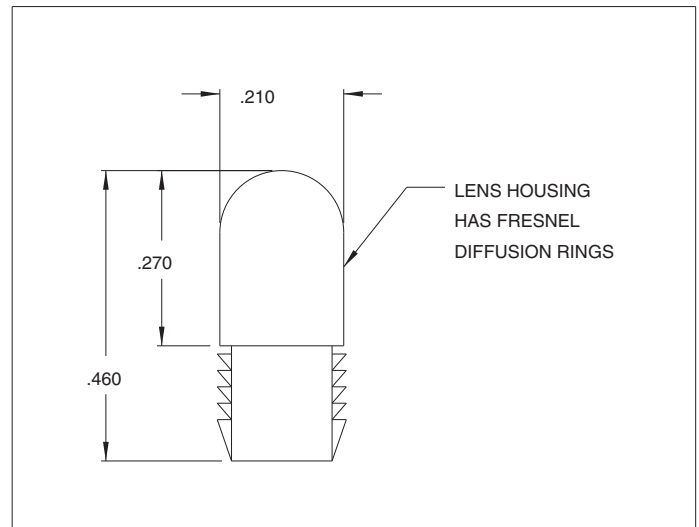
Mounting Hole: Snap into Ø.187-.192 hole in panels  
.020-.097 thick.

MODEL	LENS COLOR
4351	Red
4352	Clear
4353	Amber
4354	White
4355	Green
4356	Blue
4357	Yellow

### Outline Dimensions



### Outline Dimensions



All dimensions in inches.