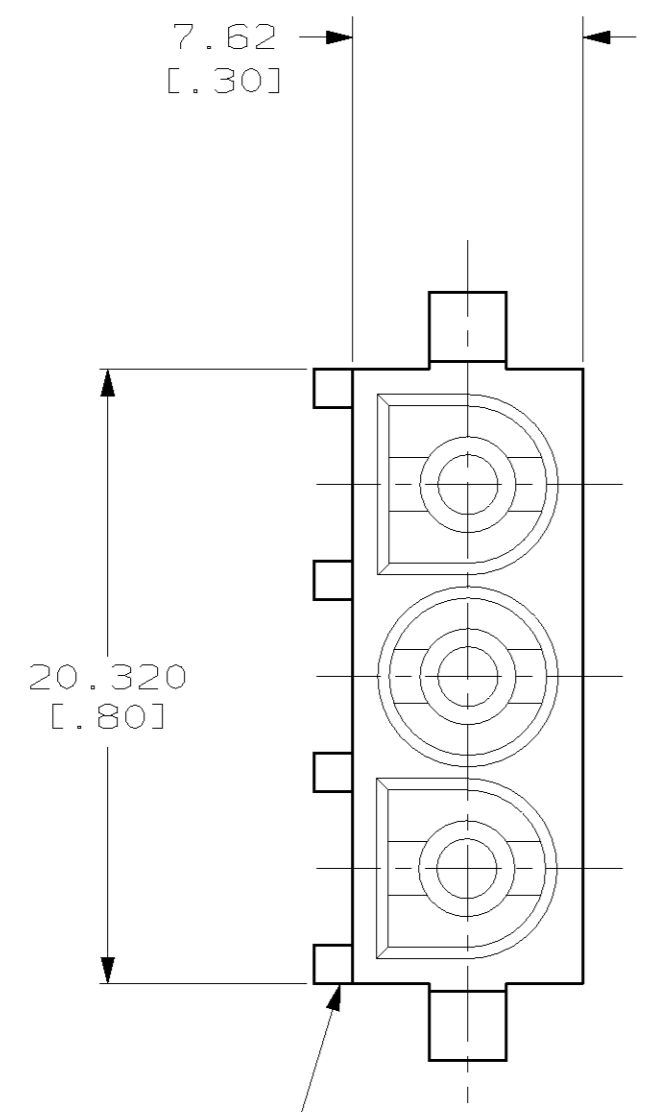


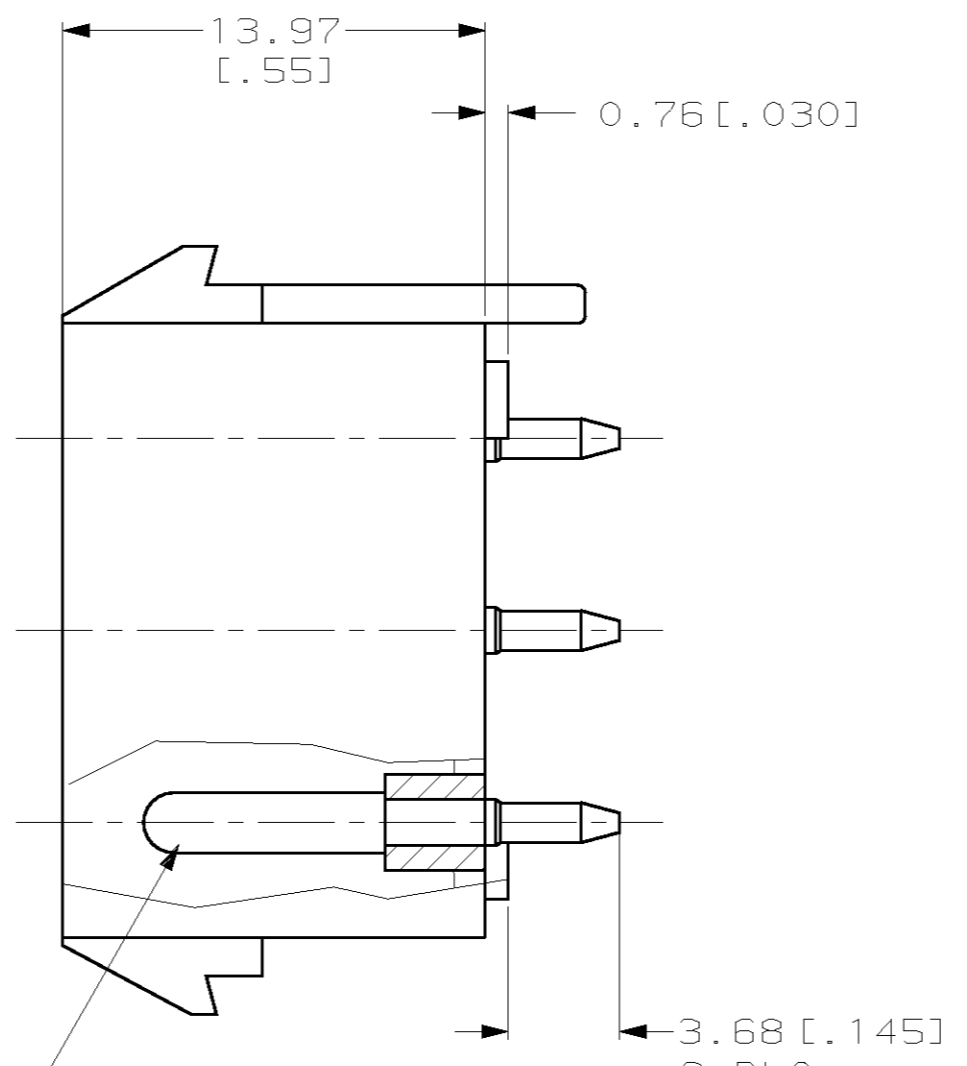
THIS DRAWING IS UNPUBLISHED. RELEASED FOR PUBLICATION  
 (C) COPYRIGHT 19 BY AMP INCORPORATED. ALL RIGHTS RESERVED.

LOC	DIST	REVISIONS					
CH	11	P	LTR	DESCRIPTION	DATE	DWN	APVD
		0		RELEASED	26/AUG/97	DAP	-
		A		EC OB20-0270-98	19/FEB/98	RNP	RAR
		B		EC OB20-1083-98	20/AUG/98	RNP	RAR

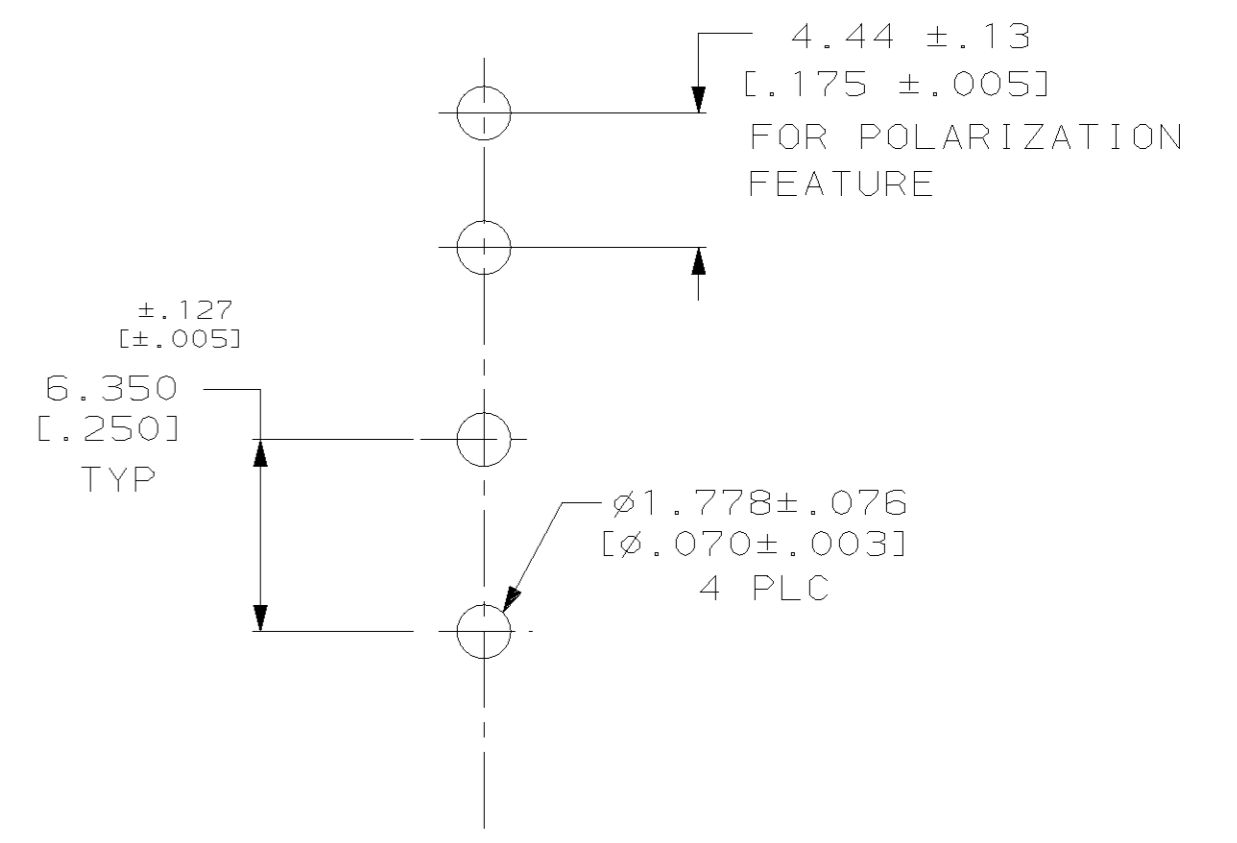
- MATES WITH MATE-N-LOK II PLUG CONNECTOR USING P/N 194211-1 OR 194213-1 SOCKET CONTACTS.
- ALL DIMENSIONS ARE REFERENCE ONLY EXCEPT P.C. LAYOUT.
- PIN CONTACTS ARE LUBRICATED.



HOUSING  
 MAT'L; NYLON 94V-0



CONTACT  
 MAT'L; COPPER ALLOY  
 FINISH; 5.8µm [200µIN] MIN SILVER  
 OVER 1.01 µm [40 µIN] MIN NICKEL



RECOMMENDED LAYOUT FOR  
 1.57 [.062] THICK P.C. BOARD

194260

THIS DRAWING IS A CONTROLLED DOCUMENT.		DWN D. A. PUERNER	26/AUG/97	<b>AMP</b> AMP Incorporated Harrisburg, PA 17105-3608
DIMENSIONS: mm (in)		CHK -	APVD -	
TOLERANCES UNLESS OTHERWISE SPECIFIED:		PRODUCT SPEC -		NAME HIGH CURRENT VERT. PIN HEADER ASSY. MATE-N-LOK II, 3 CIRCUIT, LUBRICATED
0 PLC ±-		APPLICATION SPEC -		SIZE A2
1 PLC ±-		WEIGHT -		CAGE CODE 00779
2 PLC ±-		CUSTOMER DRAWING		DRAWING NO C-194261
3 PLC ±-				SCALE -
4 PLC ±-				SHEET 1 OF 1
ANGLES ±-				REV B
FINISH -				