

Customer Information Sheet

DRAWING No.: M50-310XX45

SHEET 3 OF 3

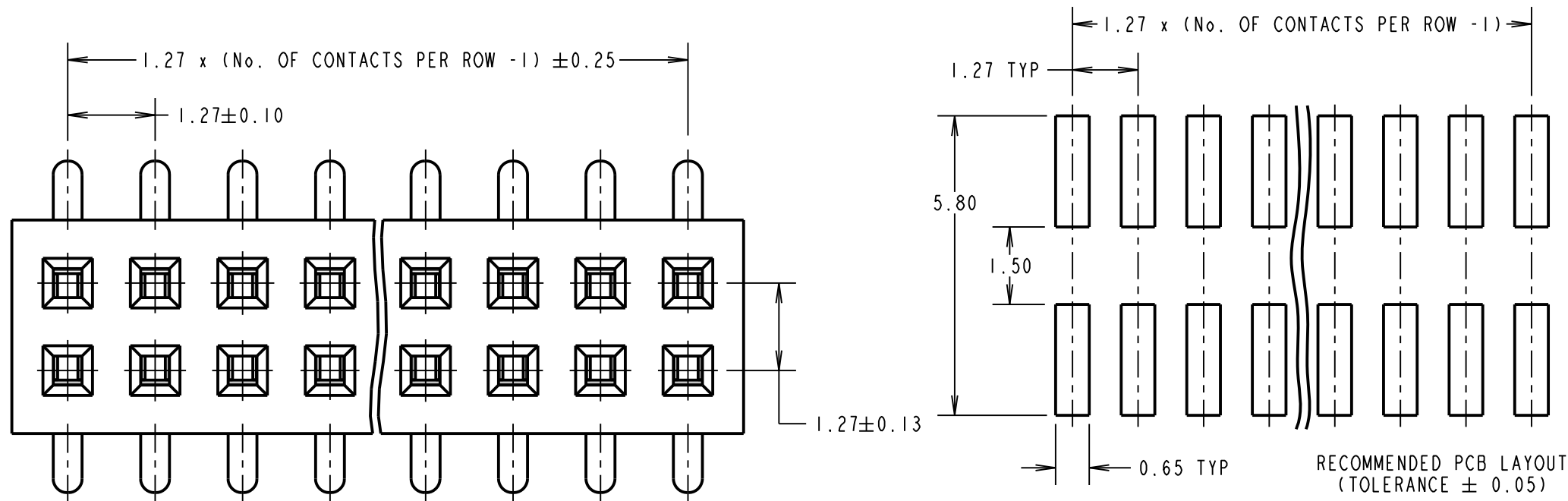
IF IN DOUBT - ASK

(C)

NOT TO SCALE

THIRD ANGLE PROJECTION

ALL DIMENSIONS IN mm



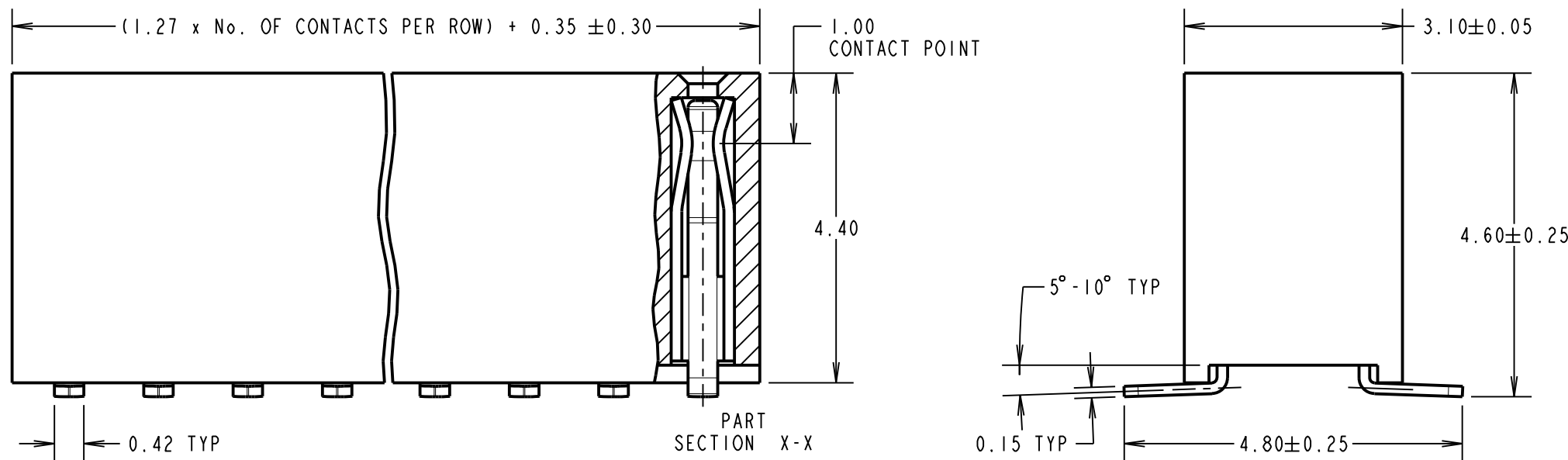
SPECIFICATIONS:
MATERIAL:
 MOULDING = LCP, UL94V-0, BLACK
 CONTACT = PHOSPHOR BRONZE
FINISH:
 CONTACT = GOLD FLASH OVER NICKEL
ELECTRICAL:
 VOLTAGE RATING = 250V AC/DC
 CURRENT RATING = 1A
 VOLTAGE PROOF = 300V AC, 500V DC FOR ONE MINUTE
 CONTACT RESISTANCE = 20mΩ MAX INITIAL,
 30mΩ MAX AFTER CONDITIONING
INSULATION RESISTANCE = 1,000MΩ MIN
MECHANICAL:
 DURABILITY = 100 CYCLES
 INSERTION FORCE = 2N MAX PER CONTACT
 WITHDRAWAL FORCE = 0.15N MIN PER CONTACT
ENVIRONMENTAL:
 OPERATING TEMPERATURE = -40°C TO +105°C
PACKING:
 TUBE
 FOR COMPLETE SPECIFICATION, SEE COMPONENT SPECIFICATION C029XX (LATEST ISSUE)

ORDER CODE:

M50-310XX45

No. OF CONTACTS PER ROW: _____
 03 TO 50

FINISH: _____
 GOLD FLASH OVER NICKEL



NOTES:
 1. ALL TOLERANCES ARE ±0.12 UNLESS OTHERWISE STATED.

SB	9	08.01.13	11828
NAME	ISS.	DATE	C/NOTE
APPROVED:		S.BENNETT	
CHECKED:		S.FLOWER	
DRAWN:		J.ENRIGHT	
CUSTOMER REF.:			
ASSEMBLY DRG:			

HARWIN

www.harwin.com
 technical@harwin.com

THIS DRAWING AND ANY INFORMATION OR DESCRIPTIVE MATTER SET OUT HEREON ARE CONFIDENTIAL AND COPYRIGHT PROPERTY OF THE HARWIN GROUP AND MUST NOT BE DISCLOSED, LOANED, COPIED OR USED FOR MANUFACTURING, TENDERING OR FOR ANY OTHER PURPOSE WITHOUT THEIR WRITTEN PERMISSION.

TOLERANCES
 X = ±1mm
 X.X = ±0.25mm
 X.XX = ±0.10mm
 X.XXX = ±0.01mm
 ANGLES = ±5°
 UNLESS STATED

MATERIAL:
 SEE ABOVE
FINISH:
 SEE ABOVE
S/AREA:
 mm²

TITLE:
 1.27mm PITCH DIL VERTICAL SMT SOCKET ASSY
DRAWING NUMBER:
M50-310XX45
 SHT 3 OF 3