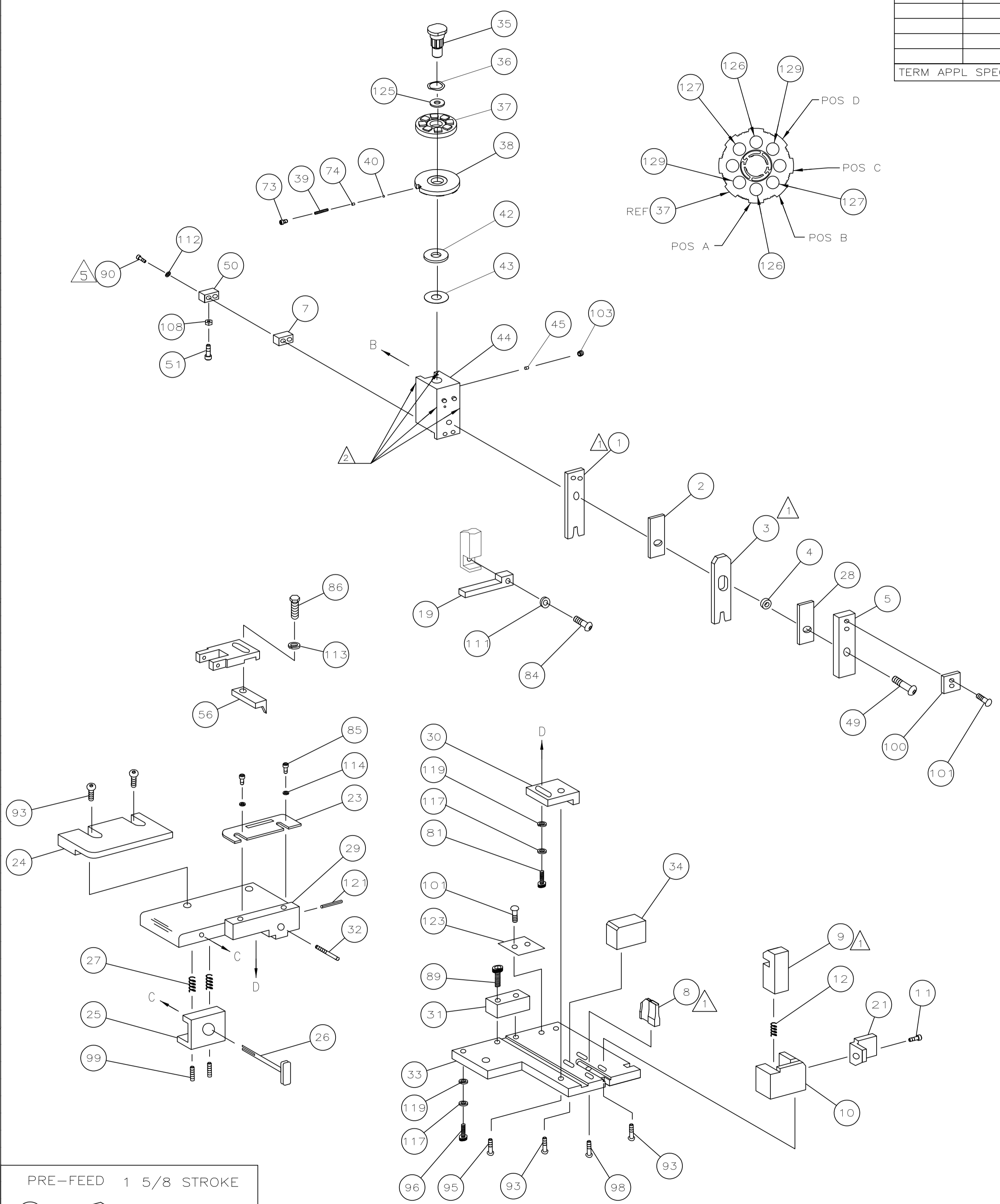


PART NUMBER	REV	FIRST USED
466901-1	AB	854040-3
7-466901-7	AA	-

TERMINAL NAME: 20 DF CONTACT		CRIMPING DATA		
PIN	SOCKET	VISIBLE PAD LTR	CRIMP HEIGHT	WIRE SIZE
66507	66505	A	NOT	USED
	745502	B	.026±.001	28
		C	.032±.001	24
		D	.030±.001	26
		CRIMP	SIZE	TYPE
		WIRE	.042	F
		INSUL	.055	0
		FEED	.300	AI-
		APPL INST		SET UP GAGE
				LAYOUT
		WIRE STRIP LENGTH	.084-.104	
TERM APPL SPEC 114-10000				

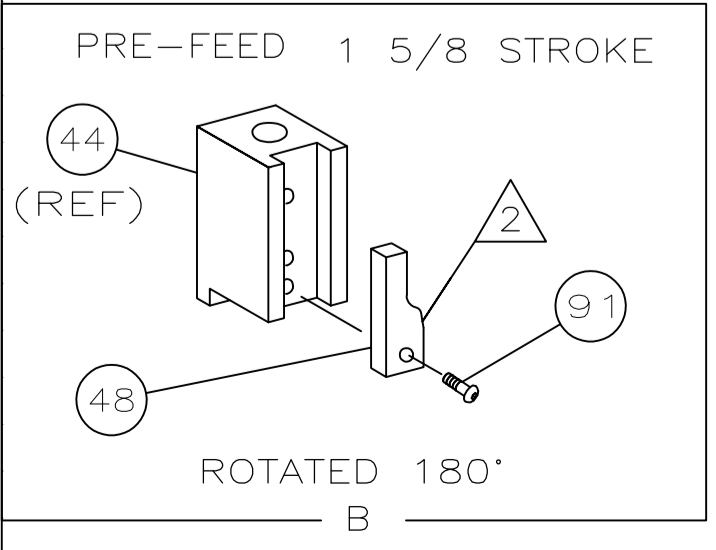
LOC	DIST	REVISIONS			
REV	DATE	BY	APPV	DESCRIPTION	DATE
A	66	AB		ECR-08-000264	-

SIM TO HDM 466423



QTY	REV	U/M	PART NO	DESCRIPTION	ITEM NO
-	2	-	7-354779-0	PIN, WIRE DISC (.3340)D	129
-	2	-			128
-	2	-	6-354779-2	PIN, WIRE DISC (.3300)B	127
-	2	-	5-354779-8	PIN, WIRE DISC (.3280)A	126
-	1	-	986950-1	WASHER, FLAT PRECISION	125
-	1	-	690701-2	PLATE, SERIAL NO.	124
-	1	-	4-21028-0	PIN,SLT SPR(Ø.093x.75)ST GDE PL	123
-	2	-	21899-2	WASHER,FLAT(#10)S G ADJ BLK	122
-	2	-	21024-5	WASHER, LOCK(#10)ADJ BLOCK	121
-	2	-	21024-2	WASHER,LOCK(#4)FRONT STP GUIDE	120
-	REF	-	21024-4	WASHER,LOCK(#8)FEED FINGER	119
-	2	-	21024-4	WASHER,LOCK(#8)DEP-HOLD	118
-	REF	-	21024-4	WASHER,LOCK(#8)STRIPPER	117
-	1	-	21018-5	NUT,HEX(#6)HOLD DOWN	116
-	2	-	21024-2	WASHER,LOCK(#4)FRONT STP GUIDE	115
-	REF	-	21024-4	WASHER,LOCK(#8)FEED FINGER	114
-	2	-	21024-4	WASHER,LOCK(#8)DEP-HOLD	113
-	REF	-	21024-4	WASHER,LOCK(#8)STRIPPER	112
-	1	-	21009-2	SCR,SKT SET(1/4-20x.25 LW)RAM	111
-	4	-	21017-2	SCR,DRIVE(#2x.19)ID PLATE	110
-	1	-	819347-1	PLATE, IDENTIFICATION	109
-	2	-	5-21006-6	SCR,SET(10-32x.75)DRAG	108
-	1	-	22733-8	SCR,BHC(8-32x.38 LW)ANVIL	107
-	1	-	3-21000-8	SCR,SHC(10-32x.88)MOUNTING	106
-	1	-	2-21002-7	SCR, BHC, 10-32 x .50	105
-	4	-	22733-9	SCR,BHC(8-32x.50)SHEAR-TERM SUP	104
-	6	-	2-21002-2	SCR,BHC(8-32x.50)R STP GDE	103
-	1	-	1-21002-7	SCR,SHC(6-32x.50)CAM	102
-	2	-	2-21000-8	SCR,SHC(8-32x.62)SCR BLK	101
-	2	-	2-21000-7	SCR,SHC(8-32x.50)	100
-	REF	-	2-22603-0	SCR,HEX HD(8-32x.31)FEED FINGER	99
-	2	-	1-21000-3	SCR,SHC(4-40x.25)F ST GUIDE	98
-	REF	-	22733-9	SCR,BHC(8-32x.50 SL)STRIPPER	97
-	1	-	3-22603-1	SCR, HEX HD, (10-32x.38)SG ADJ BL	96
-	2	-	463310-8	BLADE, STRIPPING (#26)	95
-	1	-	690603-1	SPRING, ASSIST	94
-	1	-	23030-1	SCR,SKT CAP(6-32x.25)CP DSC	93
-	3	-			92
-	1	-			91
-	1	-			90
-	1	-			89
-	1	-			88
-	1	-			87
-	1	-			86
-	1	-			85
-	1	-			84
-	1	-			83
-	1	-			82
-	1	-			81
-	1	-			80
-	1	-			79
-	1	-			78
-	1	-			77
-	1	-			76
-	1	-			75
-	1	-			74
-	1	-			73
-	1	-			72
-	1	-			71
-	1	-			70

QTY	REV	U/M	PART NO	DESCRIPTION	ITEM NO
-	1	-	694433-8	PAWL, FEED	56
-	1	-	811242-2	BUMPER, HOLDDOWN	51
-	1	-	690753-1	SPACER, TONKER	50
-	1	-	7-21002-9	BOLT, CRIMPER(5/16x1.00)	49
-	1	-	690602-6	CAM, PRE-FEED 1.62 STROKE	48
-	1	-	690191-1	PLUG, NYLON	45
-	1	-	455673-3	RAM	44
-	1	-	690125-1	WASHER, LAMINATED	43
-	1	-	690124-1	WASHER, RAM	42
-	1	-	23241-6	BALL, STEEL	40
-	1	-	690170-1	SPRING, COMPRESSION	39
-	1	-	690142-1	DISC, INSULATION	38
-	1	-	354777-1	WIRE DISC, PLASTIC	37
-	1	-	22480-5	WASHER, SPRING	36
-	1	-	690212-1	POST, RAM	35
-	1	-	692776-2	SUPPORT, TERMINAL	34
-	1	-	462544-1	PLATE, BASE SPECIAL	33
-	1	-	690432-3	SCREW, ADJUSTMENT	32
-	1	-	462543-1	BLOCK, SCREW SPECIAL	31
-	1	-	455689-1	BLOCK, STRIP GUIDE ADJ	30
-	1	-	455671-8	PLATE, STRIP GUIDE	29
-	2	-	1-22282-3	SPRING, DRAG	27
-	1	-	690546-1	LEVER, DRAG RELEASE	26
-	1	-	240792-1	DRAG, TERMINAL	25
-	1	-	6-690504-3	GUIDE, STRIP (REAR)	24
-	1	-	690438-1	GUIDE, STRIP (FRONT)	23
-	1	-	463756-1	GUIDE, SCRAP	21
-	REF	-	462615-1	STRIPPER	19
-	1	-	3-22280-3	SPRING, SHEAR	12
-	1	-	690461-2	STOP, SHEAR (FRONT)	11
-	1	-	462548-2	HOLDER, SHEAR (FRONT) SP	10
-	1	-	462547-1	SHEAR, FLOAT (FRONT) SP	9
-	1	-	4-458834-9	ANVIL	8
-	1	-	3-240641-9	SPACER, DEPRESSOR	7
-	1	-	462838-4	DEPRESSOR, SHEAR (FRONT) SP	5
-	1	-	2-238011-3	SPACER, BLOCK CRIMPER	4
-	1	-	5-456135-8	CRIMPER, INSULATION	3
-	1	-	455888-1	SPACER, CRIMPER	2
-	1	-	456401-5	CRIMPER, WIRE	1



- 1 RECOMMENDED SPARE PARTS.
- 2 GREASE LIGHTLY.
- 3 ITEM NOT SHOWN
- 4 WIRE SIZE #24 ONLY WHEN APPROVED BY APPL ENGINEERING.
- 5 CUT TO LENGTH AT ASSEMBLY

THIS DRAWING IS A CONTROLLED DOCUMENT.

DIMENSIONS: INCHES	TOLERANCES UNLESS OTHERWISE SPECIFIED:	DATE: 8/18/93	BY: D.SALTZER	REV: 8-24-93	APPV: C.ERISMAN
0 PLC ± .005	1 PLC ± .002	2 PLC ± .001	3 PLC ± .001	4 PLC ± .001	ANGLES ± .001
MATERIAL: -	FINISH: -	WEIGHT: F	SIZE: A1	CAGE CODE: 00779	DRAWING NO: 466901
CUSTOMER DRAWING			SCALE: -	SHEET: 1 OF 1	REV: AB

Tyco Electronics Corporation  
 Harrisburg, PA 17105-3608

STRIPPER CRIMPER APPLICATOR