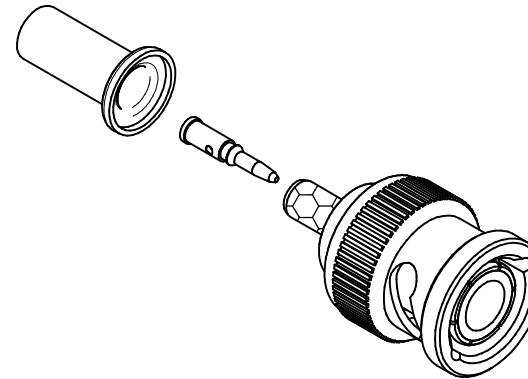
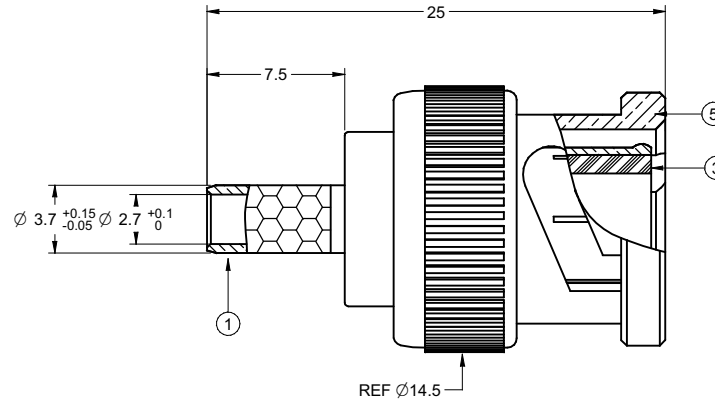
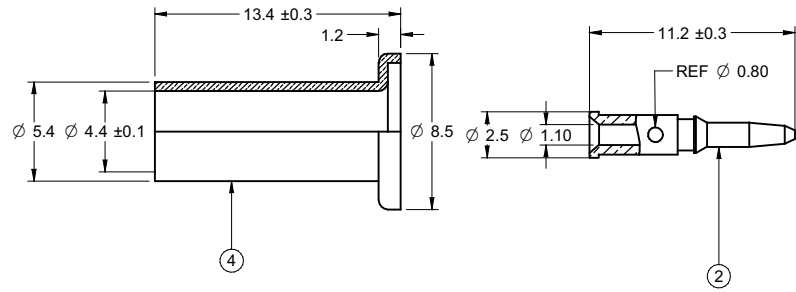


	5		4		
PART NUMBER	ITEM ① BODY	ITEM ② CONTACT	ITEM ③ INSULATOR	ITEM ④ CRIMP SLEEVE	ITEM ⑤ CUPLING NUT
27-9119	BRASS NICKEL PLATED	BRASS GOLD PLATED	DELTRIN	BRASS NICKEL PLATED	BRASS NICKEL PLATED

DRAWING NO. 27-9119	
REVISIONS	
RELEASE FOR QUATION	
01	08-19-09 W L T Betty 2009.09.11 8:11:05 PM 7080009



NOTES:

1. FURTHER TECHNICAL DETAIL: REFER TO EMERSON DOCUMENT P/N 27-0000

THIS DRAWING TO BE INTERPRETED  
PER ANSI Y 14.5M - 1994

**COMPANY CONFIDENTIAL**

<b>受控 CONTROLLED DOCUMENT</b>					
编号 P/N	27-9119	版本 Rev	01	日期 Rel'd Date	SEP 17, 09

TOLERANCE UNLESS OTHERWISE SPECIFIED		DRAWN BY IVON.WANG	DATE 08-19-09
DECIMALS	mm	CHECKED BY LINDA.WU	DATE 08-19-09
X	+ 0.5	APPROVED BY THOMAS	DATE 08-19-09
X.X	+ 0.2	U/M	mm
X.XX	+ 0.1		
ANGLES	+ 0.5°		

TITLE  
**BNC MALE CRIMP FOR BELDEN  
89907**

THIS DRAWING WAS PRODUCED BY COMPUTER,  
DO NOT SCALE DRAWING OR UPDATE MANUALLY.

SHEET 1 OF 1	DRAWING NO. 27-9119	SIZE C
-----------------	------------------------	-----------