

Evaluating the **ADGS1208/ADGS1209** SPI Interface, Low C_{ON} and Q_{INJ} , ± 15 V/+12 V, 1.8 V Logic Control, 8:1/Dual 4:1 Mux Switches

FEATURES

SPI interface with error detection
Includes CRC error detection, invalid read/write address detection, and SCLK count error detection
Analog supply voltages
Dual supply: ± 15 V
Single supply: 12 V
PC control in conjunction with evaluation software

EVALUATION KIT CONTENTS

EVAL-ADGS1208SDZ/EVAL-ADGS1209SDZ

EQUIPMENT NEEDED

EVAL-SDP-CB1Z controller board
ACE software with EVAL-ADGS1208SDZ/
EVAL-ADGS1209SDZ plugin
DC voltage source
 ± 15 V for dual-supply
12 V for single-supply
Optional digital logic supply: 3.3 V
Analog signal source
Digital multimeter

DOCUMENTS NEEDED

ADGS1208/ADGS1209 data sheet

GENERAL DESCRIPTION

The EVAL-ADGS1208SDZ/EVAL-ADGS1209SDZ are the evaluation boards for the **ADGS1208/ADGS1209**. The **ADGS1208/ADGS1209** are low on capacitance (C_{ON}), low charge injection (Q_{INJ}), 8:1/dual 4:1 multiplexers controlled by a serial peripheral interface (SPI). The SPI has robust error detection features, including cyclic redundancy check (CRC) error detection, invalid read/write address detection, and serial clock (SCLK) count error detection. It is possible to daisy-chain multiple **ADGS1208/ADGS1209** devices together to enable the configuration of multiple devices with a minimal amount of digital lines. The **ADGS1208/ADGS1209** also support burst mode, which decreases the time between SPI commands.

Figure 1 shows the EVAL-ADGS1208SDZ/EVAL-ADGS1209SDZ typical evaluation board setup. The EVAL-ADGS1208SDZ/EVAL-ADGS1209SDZ are controlled by the **EVAL-SDP-CB1Z** system demonstration platform (SDP), which connects to a PC via a USB port. The **ADGS1208** or **ADGS1209** is on the center of the evaluation board, and wire screw terminals are provided to connect to each source and drain pin. Three screw terminals power the device and, if required, a fourth terminal provides users with a defined digital logic supply voltage. Alternatively, the digital logic supply voltage can be supplied from the SDP.

Consult the **ADGS1208/ADGS1209** data sheet (available from Analog Devices, Inc.) in conjunction with this user guide.

The evaluation board interfaces to the USB port of a PC via the SDP board. The **EVAL-SDP-CB1Z** board (SDP-B controller board) is available for order at www.analog.com/SDP-B.

TABLE OF CONTENTS

Features	1	Link Options	4
Evaluation Kit Contents.....	1	Evaluation Board Software Quick Start Procedures.....	5
Equipment Needed.....	1	Installing the Software	5
Documents Needed.....	1	Initial Setup.....	5
General Description	1	Block Diagram and Description.....	6
Revision History	2	Memory Map	6
Evaluation Board Photographs.....	3	Evaluation Board Schematics and Artwork.....	8
Evaluation Board Hardware.....	4	EVAL-ADGS1208SDZ.....	8
Power Supplies	4	EVAL-ADGS1209SDZ.....	13
Input Signals.....	4	Ordering Information.....	17
Digital Outputs	4	Bill of Materials.....	17

REVISION HISTORY

4/2018—Revision 0: Initial Version

EVALUATION BOARD PHOTOGRAPHS

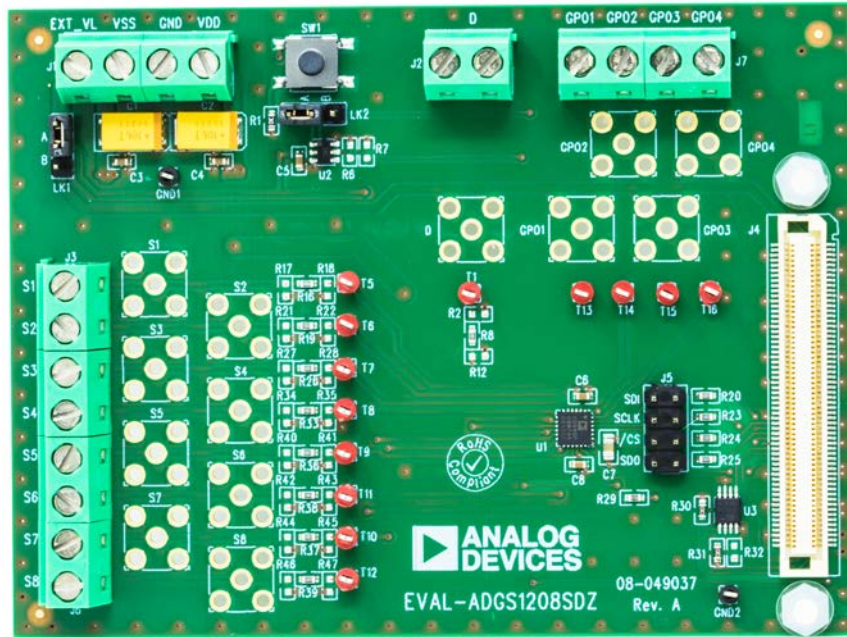


Figure 1. EVAL-ADGS1208SDZ

16732-001

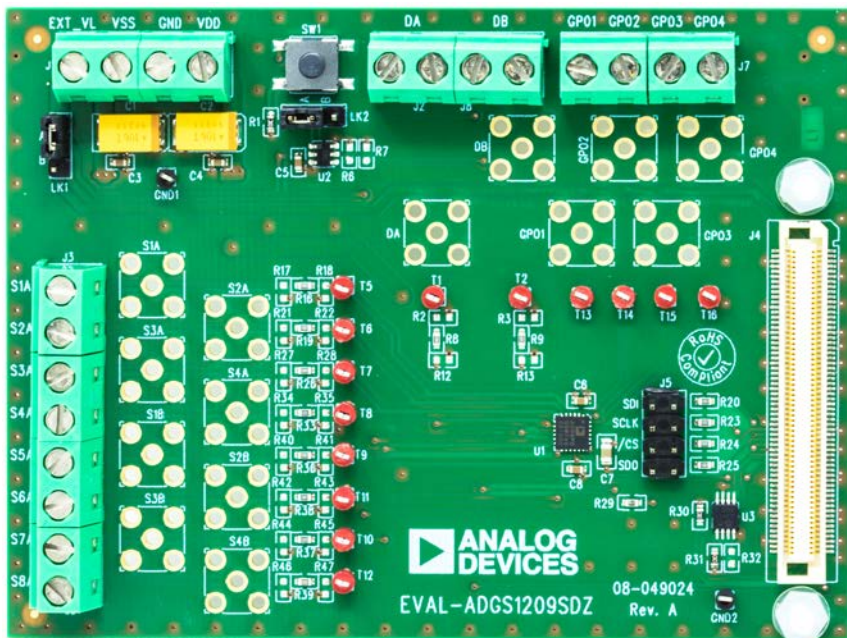


Figure 2. EVAL-ADGS1209SDZ

16732-002

EVALUATION BOARD HARDWARE

POWER SUPPLIES

Connector J1 provides access to the supply pins of the [ADGS1208/ADGS1209](#). V_{DD} , GND, and V_{SS} on the J1 terminal block link to the appropriate pins on the [ADGS1208/ADGS1209](#). For dual-supply voltages, the evaluation board can be powered from ± 15 V. For single-supply voltages, the GND and V_{SS} terminals must connect together and power the evaluation board from 12 V. Additionally, the SDP supplies 3.3 V to the RESET/ V_L pin of the [ADGS1208/ADGS1209](#) when Link LK1 is in Position B. When using a method other than the SDP to control the [ADGS1208/ADGS1209](#), supply between 2.7 V and 5.5 V to the RESET/ V_L pin of the [ADGS1208/ADGS1209](#) via the EXT_VL screw terminal input on J1. LK1 must be in Position A.

INPUT SIGNALS

Provided are screw connectors J2, J3, and J6 to connect to both the source and drain pins of the [ADGS1208/ADGS1209](#). Additional Subminiature Version B (SMB) connector pads are available if extra connections are required.

Each trace on the source and drain pins includes two sets of 0603 pads, which place a load on the signal path to ground. A $0\ \Omega$ resistor is placed in the signal path and can be replaced with a user defined value. The resistor, combined with the 0603 pads, creates a simple resistor capacitor filter.

Table 2. Link Functions

Link Number	Function
LK1	This link selects the source of the V_L voltage supplied to the ADGS1208/ADGS1209 . Position A selects EXT_VL from J1. Position B selects the 3.3 V from the SDP.
LK2	This link selects how a hardware reset is performed. Position A indicates the SW1 push-button can perform a hardware reset. Position B indicates the SDP can perform a hardware reset.

DIGITAL OUTPUTS

The GPOx digital outputs are accessible from Screw Connector J7 and there are additional SMB connector footprints available if extra connections are required.

LINK OPTIONS

The EVAL-ADGS1208SDZ/EVAL-ADGS1209SDZ evaluation boards provide several link options that must be set at the required operating conditions before use.

Table 1 describes the positioning of the links necessary for controlling the evaluation board via the SDP board using a PC and external power supplies. Table 2 describes the functions of these link options.

LK1 must be in Position B to avoid damaging the SDP when using it in conjunction with the EVAL-ADGS1208SDZ/EVAL-ADGS1209SDZ.

Table 1. Link Options for SDP Control (Default)

Link Number	Option
LK1	B
LK2	B

EVALUATION BOARD SOFTWARE QUICK START PROCEDURES

INSTALLING THE SOFTWARE

The EVAL-ADGS1208SDZ/EVAL-ADGS1209SDZ evaluation boards use the Analog Devices analysis control evaluation (ACE) software. ACE is a desktop software application that facilitates the control and evaluation of multiple evaluation systems.

ACE installs the required SDP drivers and .NET Framework 4 by default. Install ACE before connecting the SDP. Find ACE software and comprehensive instructions on its installation and use at www.analog.com/ACE.

After the installation finishes, the EVAL-ADGS1208SDZ/EVAL-ADGS1209SDZ evaluation boards plugins appear when opening ACE.

INITIAL SETUP

To set up the EVAL-ADGS1208SDZ/EVAL-ADGS1209SDZ evaluation boards, complete the following steps:

1. Connect the EVAL-ADGS1208SDZ/EVAL-ADGS1209SDZ evaluation boards to the SDP board and connect the SDP board to the PC via a USB cable.
2. Turn on the evaluation board as described in the Power Supplies section.

3. Run the ACE application. The EVAL-ADGS1208SDZ/EVAL-ADGS1209SDZ boards plugins appear in the attached hardware section of the **Start** tab.
4. Double click the **ADGS1208/ADGS1209SDZ** plugin to open the evaluation board view shown in Figure 3. This figure shows the basic functionality and main functions of the EVAL-ADGS1208SDZ/EVAL-ADGS1209SDZ evaluation boards.

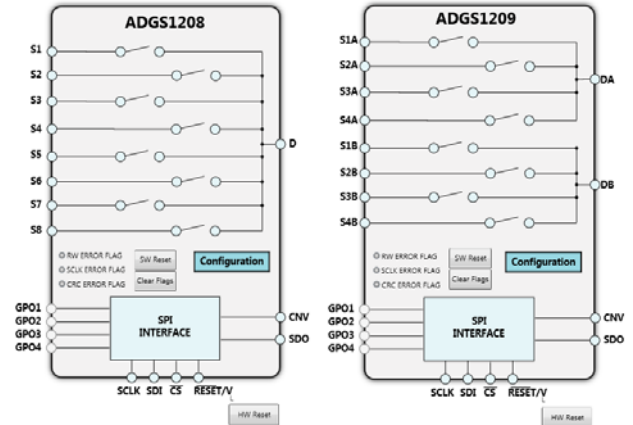


Figure 3. Evaluation Board View of the EVAL-ADGS1208SDZ/EVAL-ADGS1209SDZ

16732-003

BLOCK DIAGRAM AND DESCRIPTION

The similar appearance of the EVAL-ADGS1208SDZ/EVAL-ADGS1209SDZ software to the functional block diagram of the [ADGS1208/ADGS1209](#) data sheet renders it easy to correlate the board functions of the EVAL-ADGS1208SDZ/EVAL-ADGS1209SDZ with the description of the functional block diagram in the data sheet. The [ADGS1208/ADGS1209](#) data sheet provides comprehensive descriptions for each function, block, register, and setting.

Table 3 describes the blocks and their functions pertaining to the evaluation board. The full screen block diagram shown in Figure 4 shows the functionality of each block.

MEMORY MAP

From the **Memory Map** button, all registers are fully accessible and can be edited at a bit level (see Figure 5 and Figure 6). Bits shaded in dark gray are read only bits and inaccessible from ACE. All other bits are toggled. The **Apply Changes** button transfers data modifications to the device.

All changes in the memory map correspond to the block diagram. For example, if the internal register bit is enabled, it displays as enabled on the block diagram. Bolded bits or registers represent modified values that have not been transferred to the evaluation board. After clicking **Apply Changes**, the data is transferred to the evaluation board and no longer appears as bolded.

Table 3. Block Diagram Functions

Label	Function
A	The switch icons configure which channel is selected.
B	The Detect Invalid Read/Write , Detect Invalid SCLK Count , and Detect Invalid CRC check boxes enable or disable the error detection features on the SPI interface.
C	The Enable Burst Mode check box enables or disables burst mode.
D	The RW ERROR FLAG , SCLK ERROR FLAG , and CRC ERROR FLAG indicators illuminate red when the relevant error flags are asserted in the error flags register.
E	The Clear Flags button clears the error flags register.
F	The Apply Changes button applies all modified values to the devices.
G	The SW Reset button causes the device to perform a software reset.
H	The GPO1 , GPO2 , GPO3 , and GPO4 buttons select whether the corresponding GPO is on or off.

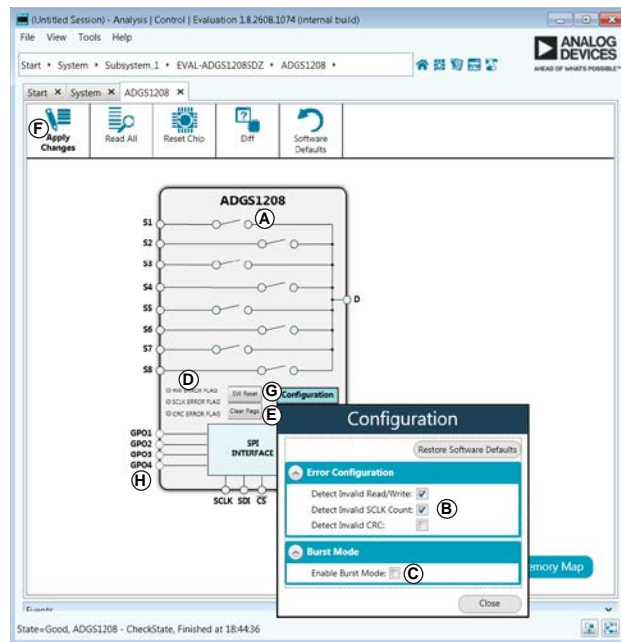


Figure 4. EVAL-ADGS1208SDZ/EVAL-ADGS1209SDZ Block Diagram with Labels

Registers				
+/-	Address (Hex)	Name	Data (Hex)	Data (Binary)
+	0001	* SW_DATA	00	0 0 0 0 0 0 0 0 0 0
+	0002	ERR_CONFIG	06	0 0 0 0 0 0 1 1 0
+	0003	* ERR_FLAGS	00	0 0 0 0 0 0 0 0 0 0
+	0005	BURST_EN	00	0 0 0 0 0 0 0 0 0 0
+	0006	* ROUND_ROBIN_EN	00	0 0 0 0 0 0 0 0 0 0
+	0007	RROBIN_CHANNEL_CONFIG1	FF	1 1 1 1 1 1 1 1 1 1
+	0009	CNV_EDGE_SEL	00	0 0 0 0 0 0 0 0 0 0

Figure 5. ADGS1208/ADGS1209 Memory Map

Registers				
+/-	Address (Hex)	Name	Data (Hex)	Data (Binary)
+	0001	* SW_DATA	00	0 0 0 0 0 0 0 0 0 0
+	0002	ERR_CONFIG	06	0 0 0 0 0 0 1 1 0
+	0003	* ERR_FLAGS	00	0 0 0 0 0 0 0 0 0 0
+	0005	BURST_EN	00	0 0 0 0 0 0 0 0 0 0
+	0006	* ROUND_ROBIN_EN	00	0 0 0 0 0 0 0 0 0 0
+	0007	RROBIN_CHANNEL_CONFIG1	FF	1 1 1 1 1 1 1 1 1 1
+	0009	CNV_EDGE_SEL	00	0 0 0 0 0 0 0 0 0 0

Figure 6. ADGS1208/ADGS1209 Memory Map with Unapplied Changes in the SW_DATA Register

EVALUATION BOARD SCHEMATICS AND ARTWORK
EVAL-ADGS1208SDZ

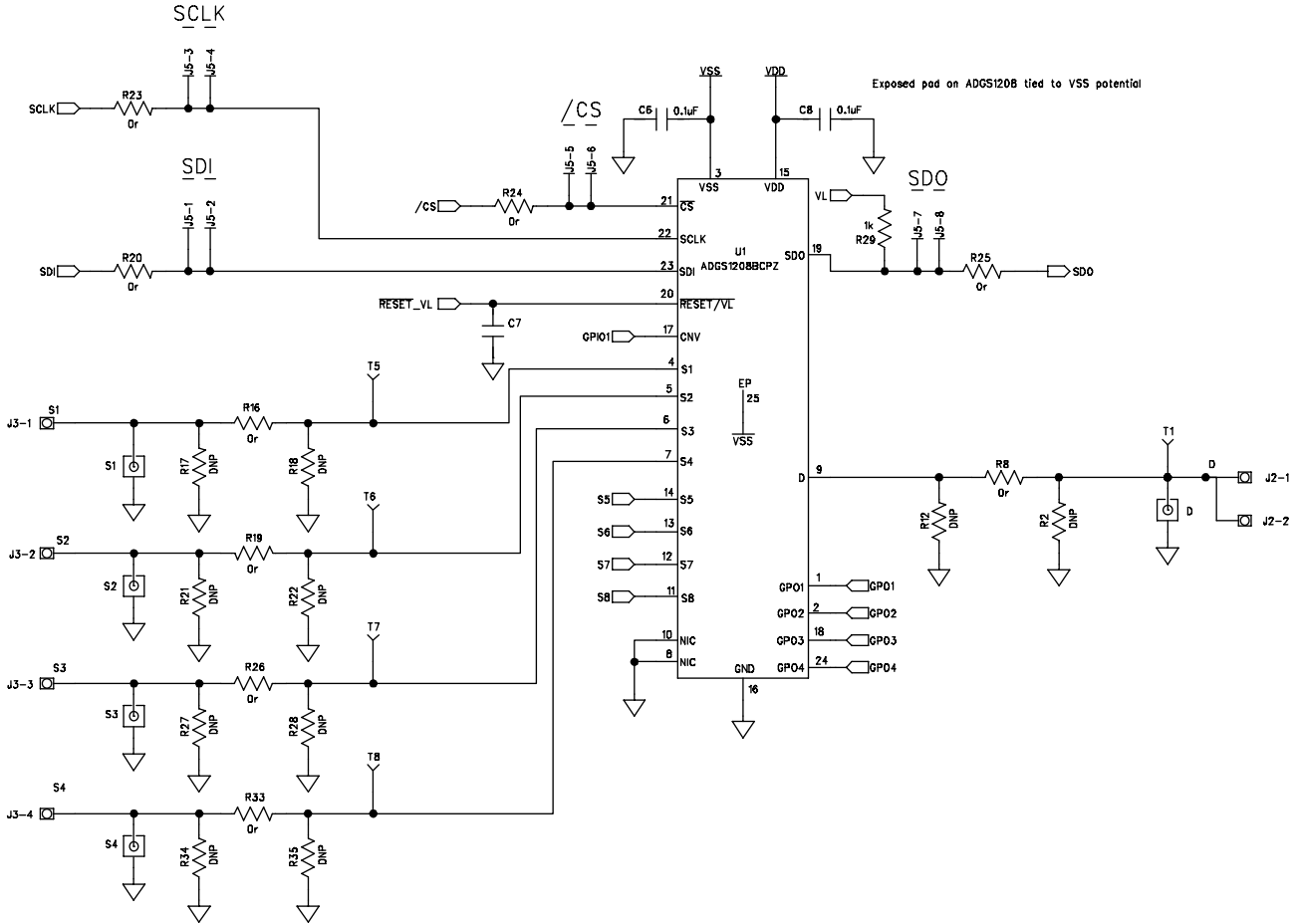


Figure 7. EVAL-ADGS1208SDZ Schematic 1

16732-007

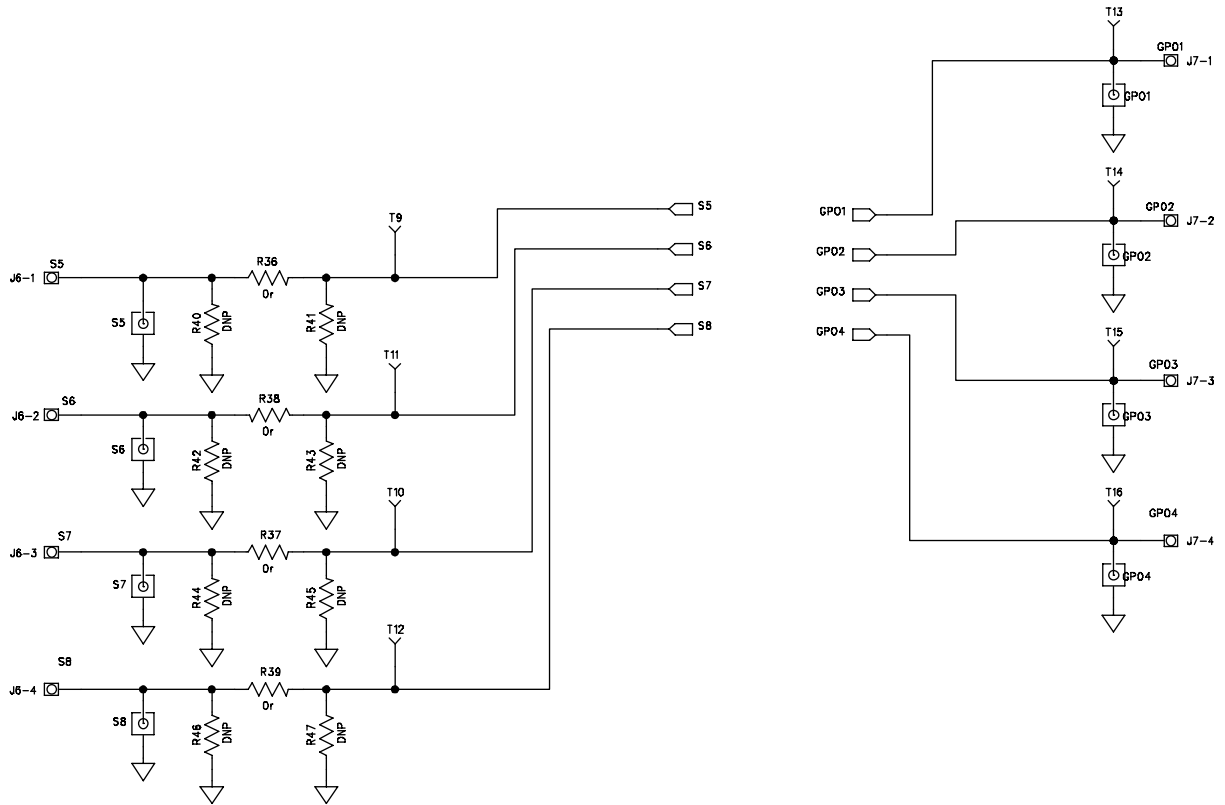


Figure 8. EVAL-ADGS1208SDZ Schematic 2

16732-008

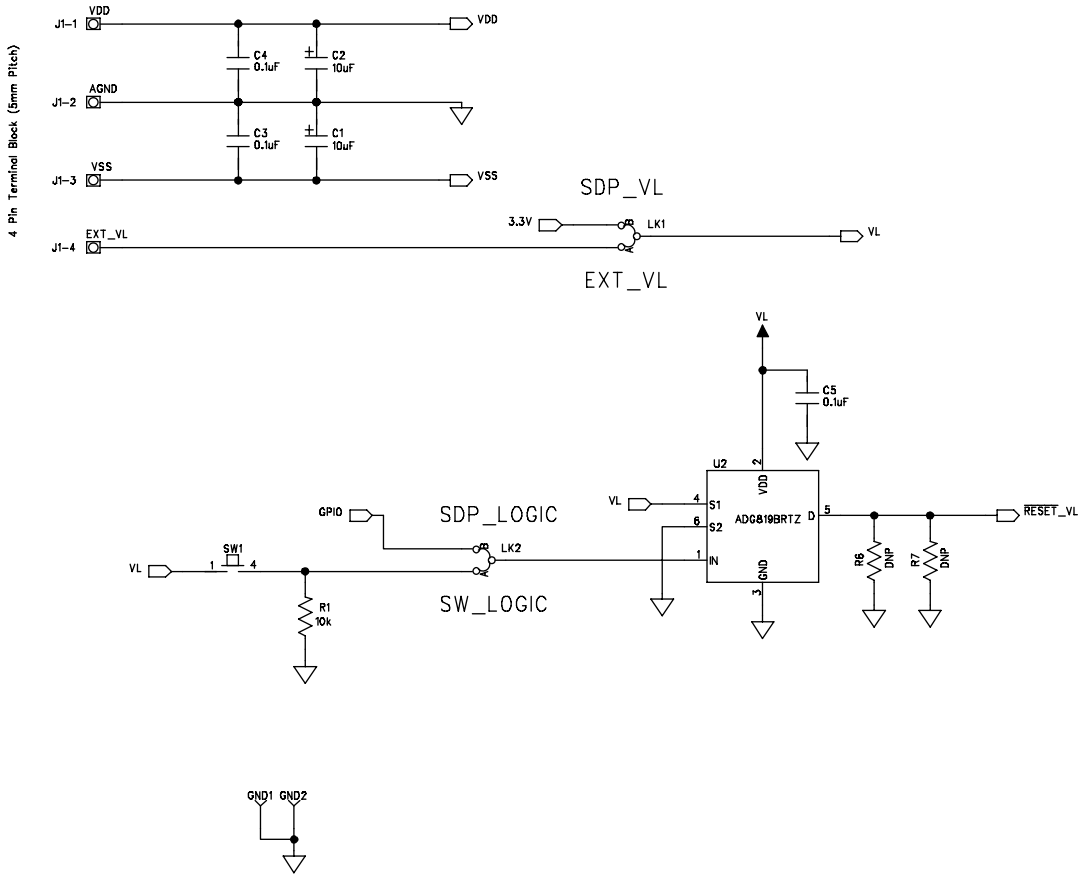


Figure 9. EVAL-ADGS1208SDZ Schematic 3

16732-009

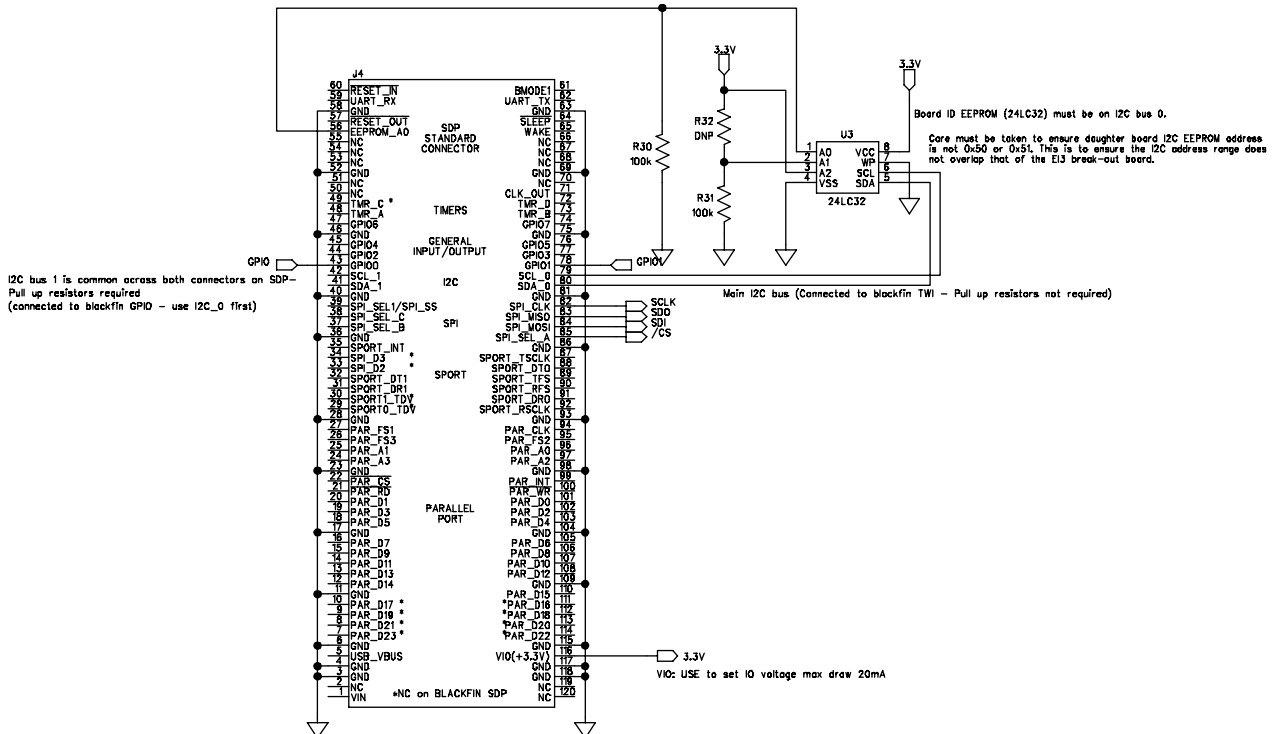


Figure 10. EVAL-ADGS1208SDZ Schematic 4

16732-010

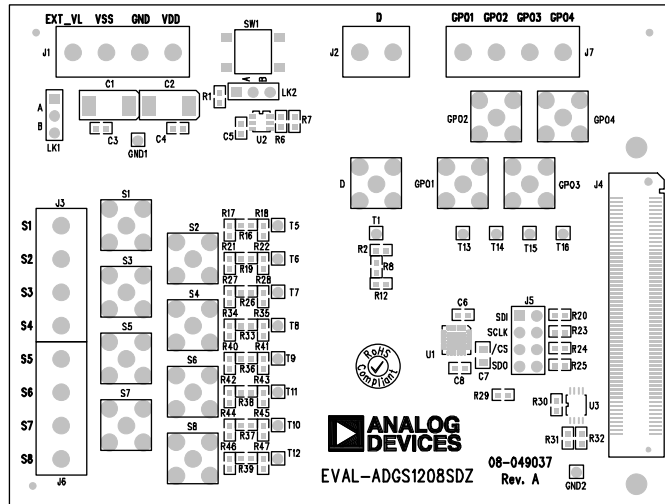


Figure 11. EVAL-ADGS1208SDZ Silk Screen

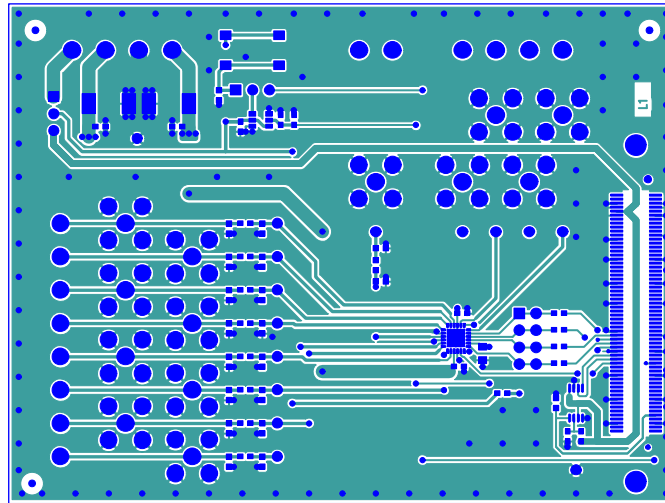


Figure 12. EVAL-ADGS1208SDZ Top Layer

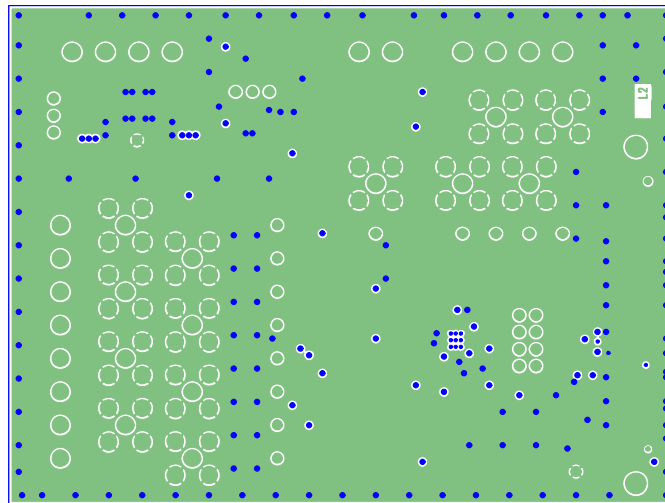
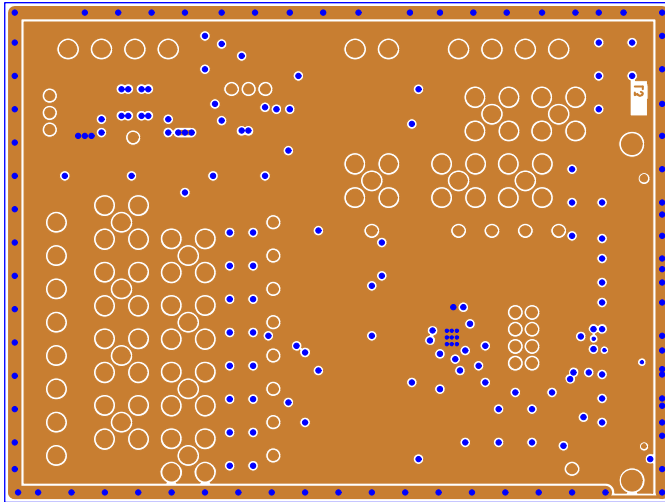
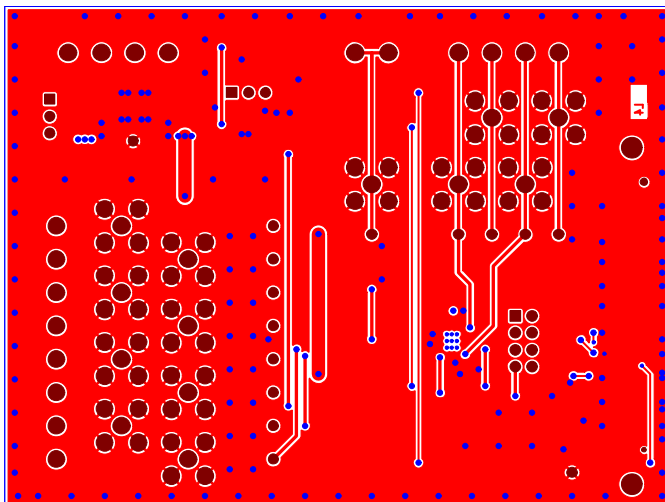


Figure 13. EVAL-ADGS1208SDZ Layer 2



16732-014

Figure 14. EVAL-ADGS1208SDZ Layer 3



16732-015

Figure 15. EVAL-ADGS1208SDZ Bottom Layer

EVAL-ADGS1209SDZ

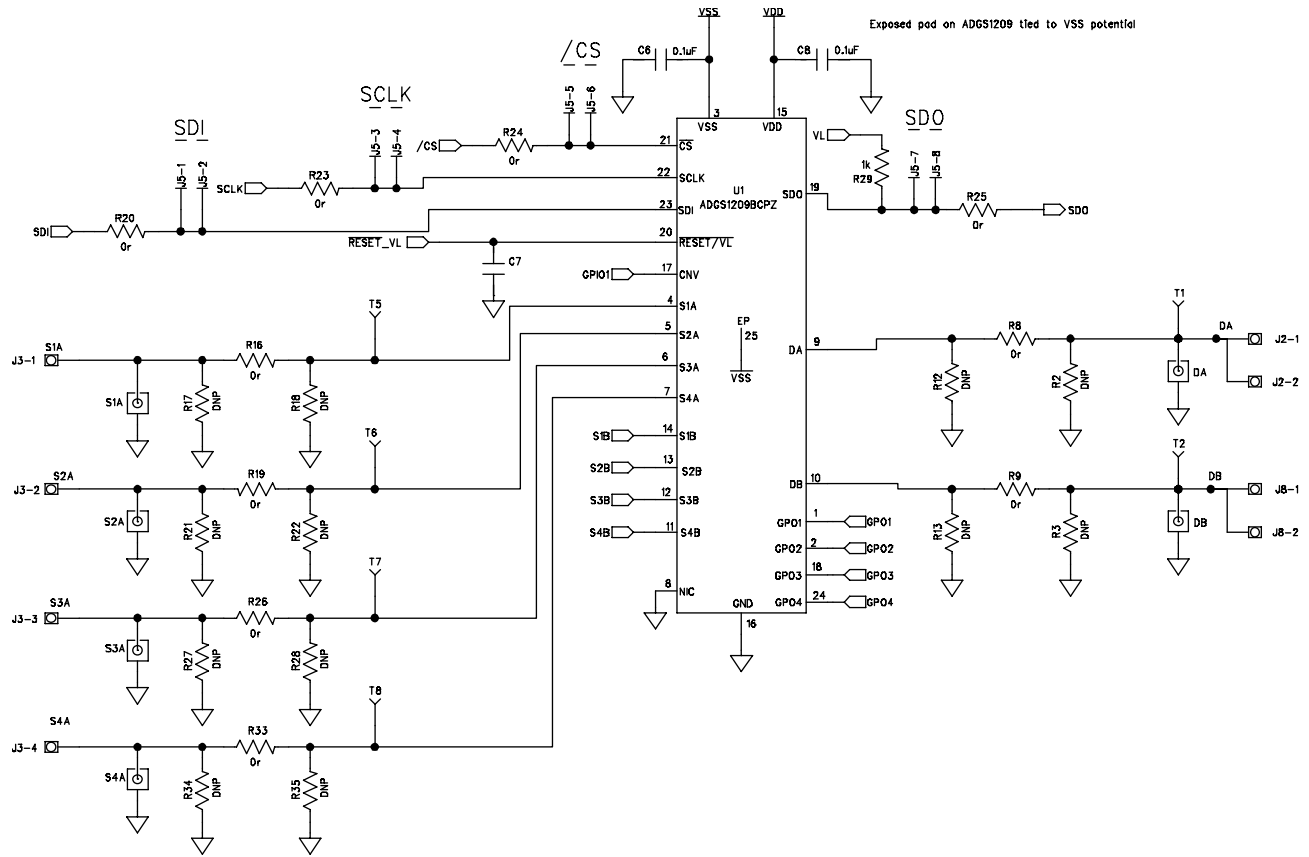


Figure 16. EVAL-ADGS1209SDZ Schematic 1

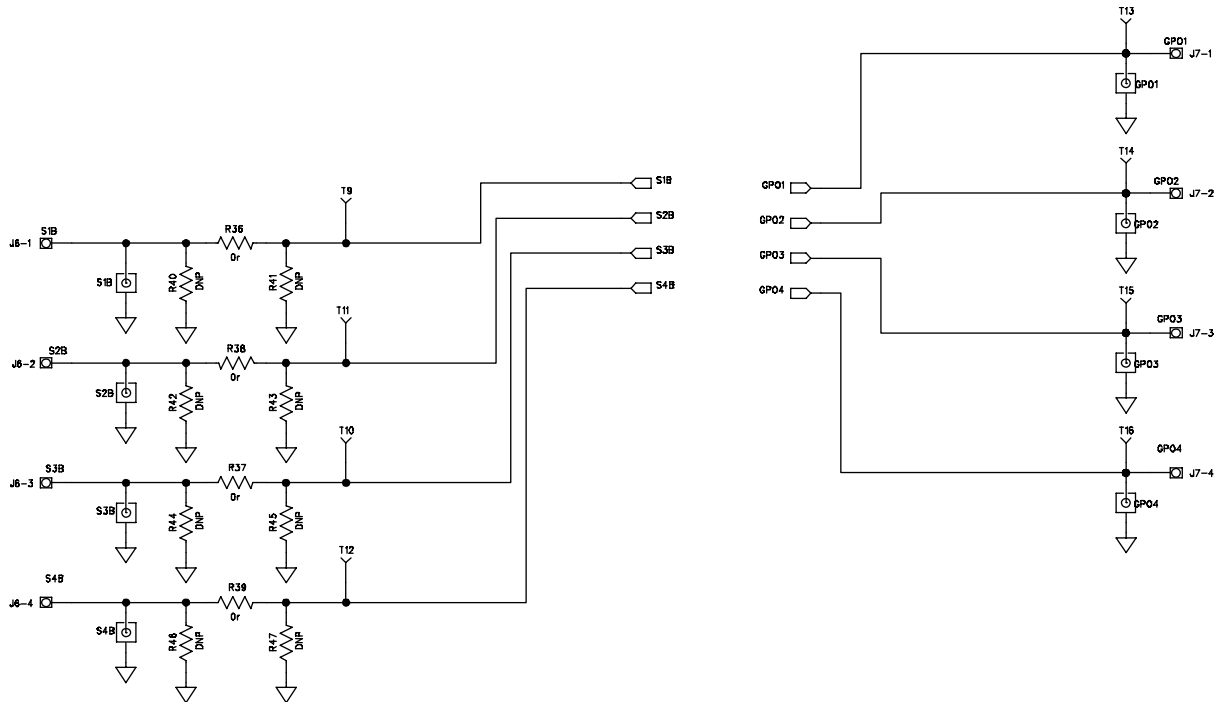


Figure 17. EVAL-ADGS1209SDZ Schematic 2

16732-016

16732-017

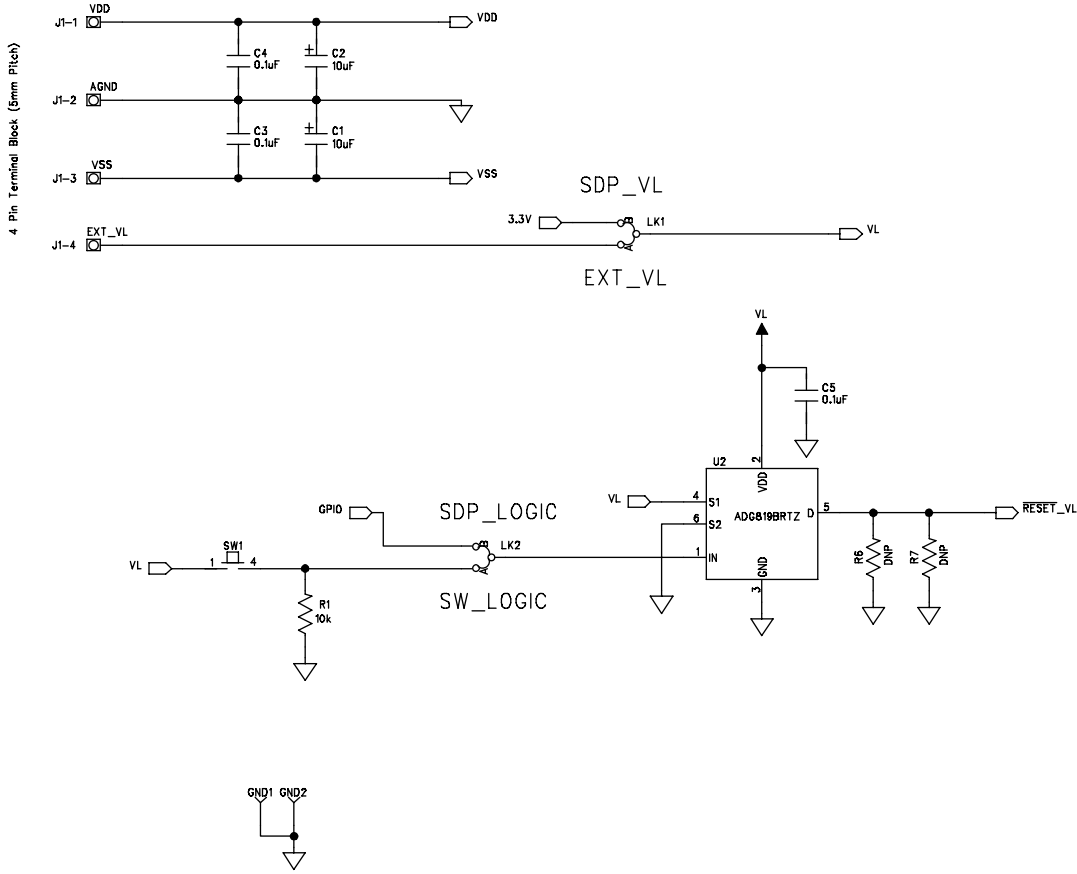


Figure 18. EVAL-ADGS1209SDZ Schematic 3

16732-01B

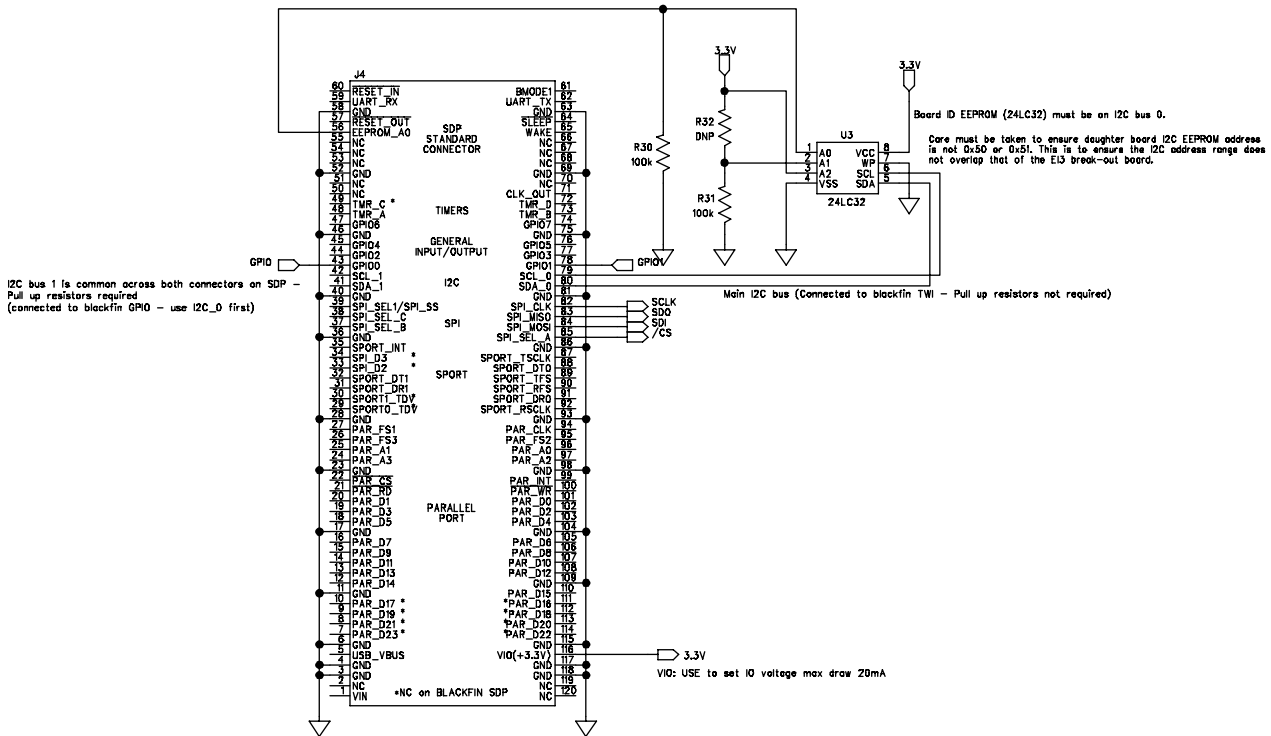


Figure 19. EVAL-ADGS1209SDZ Schematic 4

16732-01B

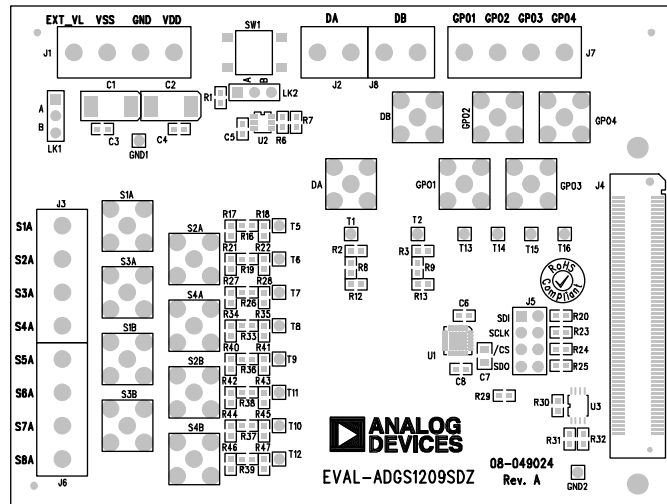


Figure 20. EVAL-ADGS1209SDZ Silk Screen

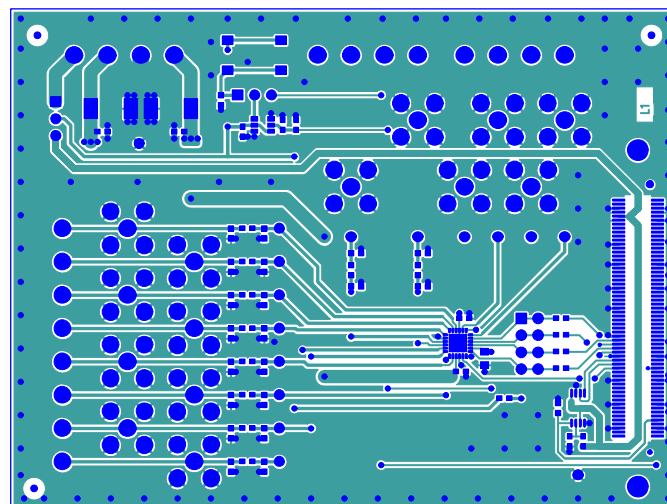


Figure 21. EVAL-ADGS1209SDZ Top Layer

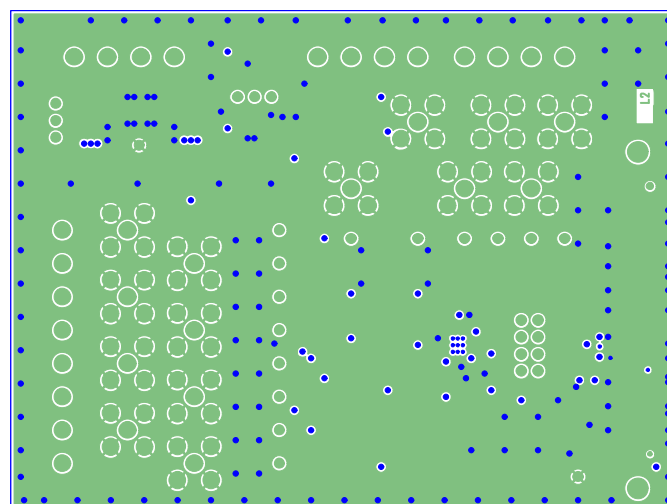
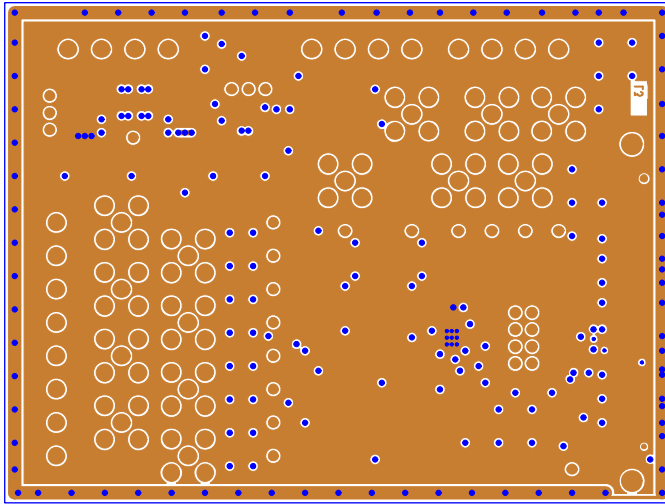
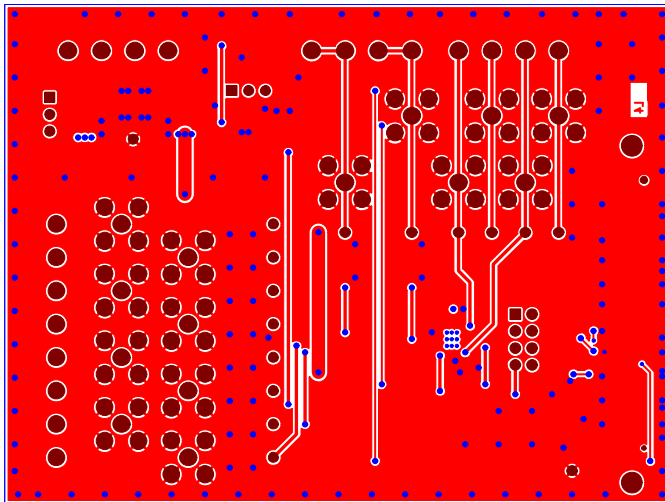


Figure 22. EVAL-ADGS1209SDZ Layer 2



16732-023

Figure 23. EVAL-ADGS1209SDZ Layer 3



16732-024

Figure 24. EVAL-ADGS1209SDZ Bottom Layer

ORDERING INFORMATION

BILL OF MATERIALS

Table 4. EVAL-ADGS1208SDZ/EVAL-ADGS1209SDZ Bill of Materials

Reference Designator	Description
C1 to C2	50 V tantalum capacitors, 10 µF, D size
C3 to C6, C8	50 V, X7R multilayer ceramic capacitors, 0.1 µF, 0603
C7	Capacitor, 10 µF, 0805, 16 V
D or DA, DB	Not placed
S1 to S8, or S1A to S4A, S1B to S4B	Not placed
T1, T2, T5 to T16	Red test points
GND1, GND2	Black test points
J1 to J3, J6 to J8	4-pin terminal blocks, 5 mm pitch
J4	120-way connector, 0.6 mm pitch
J5	Through hole, header, 4 × 2, 2.54 mm
LK1, LK2	3-pin single inline (SIL) headers and shorting link
R2, R3, R6, R7, R12, R13, R17, R18, R21, R22, R27, R28, R32, R34, R35, R40 to R47	Not placed
R8, R9, R16, R19, R20, R23 to R26, R33, R36 to R39	Resistors, 0 Ω, 0603, 1%
R1	Resistor, 10 kΩ, 0.063 W, 1%, 0603
R29	Resistor, 1 kΩ, 0.063 W, 1%, 0603
R30, R31	Resistor, 100 kΩ, 0.063 W, 1%, 0603
SW1	Surface-mount device (SMD) push-button switch
U1	ADGS1208/ADGS1209, SPI interface, quad SPST switch
U2	ADG819, 1.8 V to 5.5 V, 2:1 multiplexer and SPDT switch
U3	24LC32A-I/MS, 32 kΩ, I ² C serial EEPROM



ESD Caution

ESD (electrostatic discharge) sensitive device. Charged devices and circuit boards can discharge without detection. Although this product features patented or proprietary protection circuitry, damage may occur on devices subjected to high energy ESD. Therefore, proper ESD precautions should be taken to avoid performance degradation or loss of functionality.

Legal Terms and Conditions

By using the evaluation board discussed herein (together with any tools, components documentation or support materials, the "Evaluation Board"), you are agreeing to be bound by the terms and conditions set forth below ("Agreement") unless you have purchased the Evaluation Board, in which case the Analog Devices Standard Terms and Conditions of Sale shall govern. Do not use the Evaluation Board until you have read and agreed to the Agreement. Your use of the Evaluation Board shall signify your acceptance of the Agreement. This Agreement is made by and between you ("Customer") and Analog Devices, Inc. ("ADI"), with its principal place of business at One Technology Way, Norwood, MA 02062, USA. Subject to the terms and conditions of the Agreement, ADI hereby grants to Customer a free, limited, personal, temporary, non-exclusive, non-sublicensable, non-transferable license to use the Evaluation Board FOR EVALUATION PURPOSES ONLY. Customer understands and agrees that the Evaluation Board is provided for the sole and exclusive purpose referenced above, and agrees not to use the Evaluation Board for any other purpose. Furthermore, the license granted is expressly made subject to the following additional limitations: Customer shall not (i) rent, lease, display, sell, transfer, assign, sublicense, or distribute the Evaluation Board; and (ii) permit any Third Party to access the Evaluation Board. As used herein, the term "Third Party" includes any entity other than ADI, Customer, their employees, affiliates and in-house consultants. The Evaluation Board is NOT sold to Customer; all rights not expressly granted herein, including ownership of the Evaluation Board, are reserved by ADI. CONFIDENTIALITY. This Agreement and the Evaluation Board shall all be considered the confidential and proprietary information of ADI. Customer may not disclose or transfer any portion of the Evaluation Board to any other party for any reason. Upon discontinuation of use of the Evaluation Board or termination of this Agreement, Customer agrees to promptly return the Evaluation Board to ADI. ADDITIONAL RESTRICTIONS. Customer may not disassemble, decompile or reverse engineer chips on the Evaluation Board. Customer shall inform ADI of any occurred damages or any modifications or alterations it makes to the Evaluation Board, including but not limited to soldering or any other activity that affects the material content of the Evaluation Board. Modifications to the Evaluation Board must comply with applicable law, including but not limited to the RoHS Directive. TERMINATION. ADI may terminate this Agreement at any time upon giving written notice to Customer. Customer agrees to return to ADI the Evaluation Board at that time. LIMITATION OF LIABILITY. THE EVALUATION BOARD PROVIDED HEREUNDER IS PROVIDED "AS IS" AND ADI MAKES NO WARRANTIES OR REPRESENTATIONS OF ANY KIND WITH RESPECT TO IT. ADI SPECIFICALLY DISCLAIMS ANY REPRESENTATIONS, ENDORSEMENTS, GUARANTEES, OR WARRANTIES, EXPRESS OR IMPLIED, RELATED TO THE EVALUATION BOARD INCLUDING, BUT NOT LIMITED TO, THE IMPLIED WARRANTY OF MERCHANTABILITY, TITLE, FITNESS FOR A PARTICULAR PURPOSE OR NON-INFRINGEMENT OF INTELLECTUAL PROPERTY RIGHTS. IN NO EVENT WILL ADI AND ITS LICENSORS BE LIABLE FOR ANY INCIDENTAL, SPECIAL, INDIRECT, OR CONSEQUENTIAL DAMAGES RESULTING FROM CUSTOMER'S POSSESSION OR USE OF THE EVALUATION BOARD, INCLUDING BUT NOT LIMITED TO LOST PROFITS, DELAY COSTS, LABOR COSTS OR LOSS OF GOODWILL. ADI'S TOTAL LIABILITY FROM ANY AND ALL CAUSES SHALL BE LIMITED TO THE AMOUNT OF ONE HUNDRED US DOLLARS (\$100.00). EXPORT. Customer agrees that it will not directly or indirectly export the Evaluation Board to another country, and that it will comply with all applicable United States federal laws and regulations relating to exports. GOVERNING LAW. This Agreement shall be governed by and construed in accordance with the substantive laws of the Commonwealth of Massachusetts (excluding conflict of law rules). Any legal action regarding this Agreement will be heard in the state or federal courts having jurisdiction in Suffolk County, Massachusetts, and Customer hereby submits to the personal jurisdiction and venue of such courts. The United Nations Convention on Contracts for the International Sale of Goods shall not apply to this Agreement and is expressly disclaimed.

©2018 Analog Devices, Inc. All rights reserved. Trademarks and registered trademarks are the property of their respective owners. UG16732-0-4/18(0)



www.analog.com