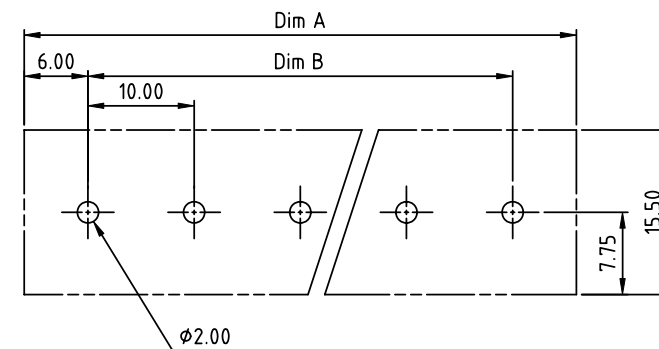
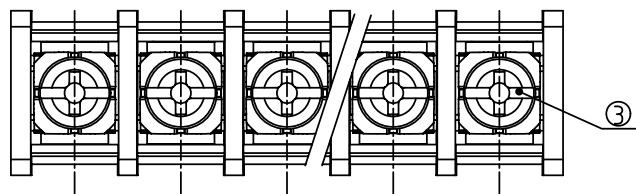
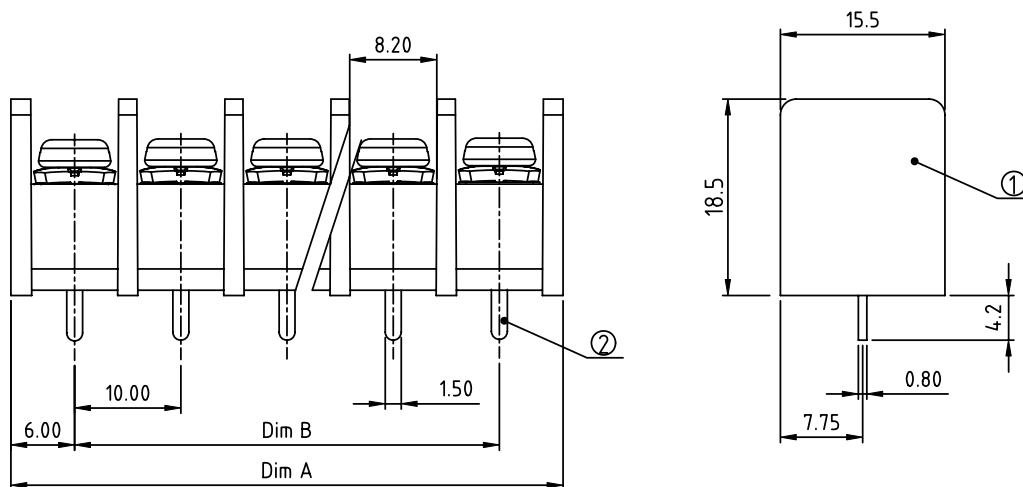


PRODUCT NUMBER	PITCH
YK614xx0x0JOG	10.00 mm



RECOMMENDED P.C.B LAYOUT
TOP VIEW



MATERIALS ELECTRICAL
 RATED VOLTAGE & CURRENT: 300 V, 25 A
 WITHSTAND VOLTAGE: AC 2000 V/Min
 INSULATION RESISTANCE: 1000 M Ω OR MORE AT DC 500 V
 OPERATING TEMPERATURE RANG: -40 °C ~ +115 °C
 SCREW TORQUE VALUE: 8.8 Lb-In.
 WIRE RANGE: 22 - 12 AWG
 1) HOUSING: Thermoplastic, UL 94 V-0 BLACK
 2) TERMINAL: BRASS, 0.8t
 3) TERMINAL SCREWS: STEEL, M3.5
 APPROVAL:

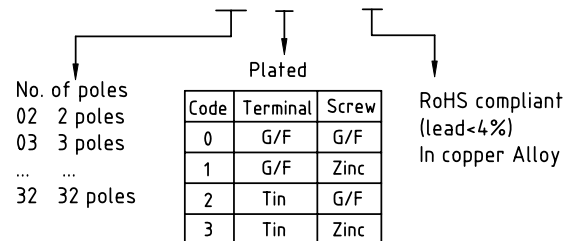
DIMENSION

Dim A	Nx10.0+2.0
Dim B	(N-1)x10.0

N=Number of poles

Poles	Tolerance
2p-5p	± 0.20
6p-10p	± 0.25
11p-16p	± 0.35
17p-24p	± 0.40
25p-32p	± 0.50

PART NO.: YK 614xx 0 x 0 JOG



mat'l. code		surface ASME Y14.5	tolerance ASME Y14.5	projection 	product family TERMINAL BLOCK
ltr	ecn no	dr	date	tolerances unless otherwise specified	title TERMINAL BLOCK
				angles $X^{\circ}\pm 1'$	BARRIER TYPE
				scale MM	sheet 1 of 1 size A4
		dr	EVAN LU	061614	FCI YK614xx0x0JOG CUSTOMER Drawing
		enr	EVAN LU	061614	
		chr	HANKE FENG	061614	
		appd	SHI JUN	061614	
sheet index	revision sheet	A	1		