



PRODUCT NUMBER

20020110-XXXXXXLF

20020110- □ □ □ □ A O □ L F

PITCH

C: 3.50 mm
D: 3.81 mm
G: 5.00 mm
H: 5.08 mm

POLES

02: 2 POLES
03: 3 POLES
04: 4 POLES
|
24: 24 POLES

LF : DENOTED RoHS COMPATIBLE

1 : STANDARD PRODUCT
W/ BOX PACKING

PROPERTY TABLE					
FCI SERIES NAME		06-350	06-381	06-500	06-508
PITCH (mm)		3.50	3.81	5.00	5.08
VOLTAGE RATING (VAC)		300	300	300	300
CURRENT RATING (A)	cULus	10	10	12	12
	VDE	10.5	10.5	NA	NA
WITHSTANDING VOLTAGE (kV)	cULus	1.6	1.6	1.6	1.6
	VDE	2.5	2.5	NA	NA
OPERATING TEMP. (°C)		-40~+115	-40~+115	-40~+115	-40~+115
SOLDERING TEMP. (°C)		250±10 (5 sec.)	250±10 (5 sec.)	250±10 (5 sec.)	250±10 (5 sec.)
POLES AVAILABLE		02~24	02~24	02~24	02~24
SAFETY CERTIFICATE					

HOUSING CODE

CODE	COLOR	AVAILABILITY
1	GREEN(RAL 6018/T)	STANDARD
2	BLACK	ON REQUEST ONLY
3	GREY(RAL 7004/P)	ON REQUEST ONLY
4	BLUE(RAL 5015/A)	ON REQUEST ONLY

NOTES:

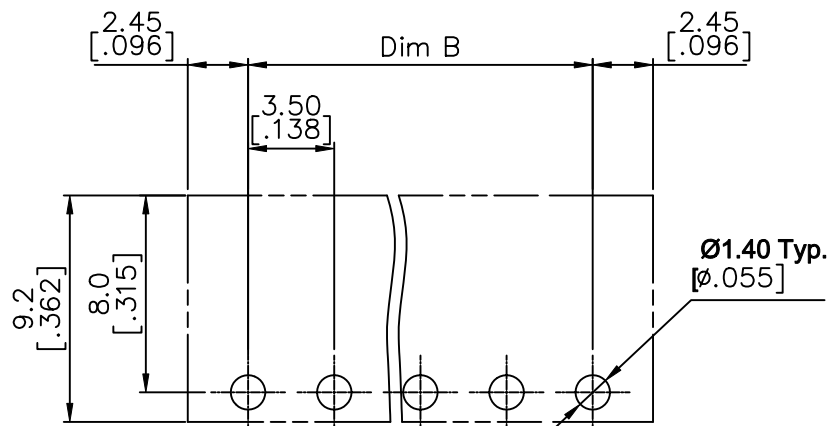
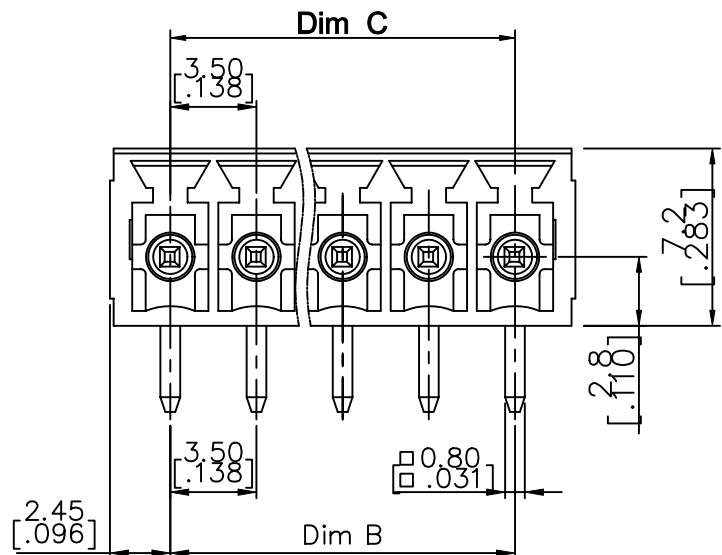
MATERIALS

- 1-1 HOUSING: THERMALPLASTIC RESIN, UL 94V-0 RATED.
- 1-2 TERMINAL: COPPER ALLOY, TIN PLATED.
- 2. PRODUCTION SPECIFICATION REFER TO FCI GS-12-625.
- 3. BOXED PACKAGING.
DETAILED PRODUCT PACKING SPECIFICATION REFER TO FCI GS-14-1394.
- 4. FCI, SAFETY CERTIFICATE LOGO AND SERIES NAME TO BE SHOWN ON PRODUCT SURFACE.
- 5. THE PRODUCTS WHERE THE PART NUMBER END IN "LF" MEET THE EUROPEAN UNION DIRECTIVE AND OTHER COUNTRY REGULATIONS AS DESCRIBED IN GS-22-008.
- 6. RECOMENDED SOLDERING PROCESS BY WAVE SOLDER.

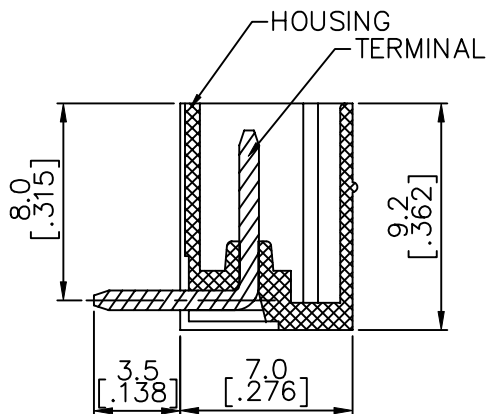
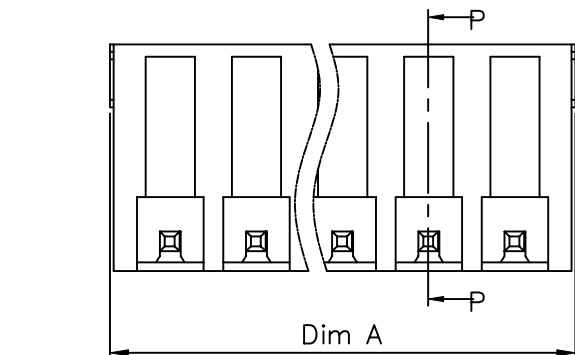
mat'l. code		surface ASME Y14.5 ✓		tolerance ASME Y14.5		projection 		product family TERMINAL BLOCK	
ltr	ecn no	dr	date	tolerances unless otherwise specified				title	
H	T10-0193	WL	122310	angles	X.±0.5[.020]	MM		TERMINAL BLOCK	
J	T11-0013	WL	040811	to	X.X±0.3[.012]	INCH		PLUGGABLE SOCKET, RIGHT ANGLE	
K	T-004746	WL	072011	file	X*±1*	scale		dwg no	
				dr	BEER FU	062509		sheet 1 of 5 size	
				enr	BEER FU	062509		20020110	
				chr	GARY HSIEH	062509		A4	
				appd	JOSEPH HSIA	062509		type	
								CUSTOMER Drawing	
sheet	revision	K	K	K	K	K			
index	sheet	1	2	3	4	5			



PRODUCT NUMBER	SERIES NAME	PITCH
20020110-CXXXXXXLF	06-350	3.50 mm



RECOMMENDED P.C.B LAYOUT



SECTION P-P

N= NUMBER OF POLES
DIMENSION

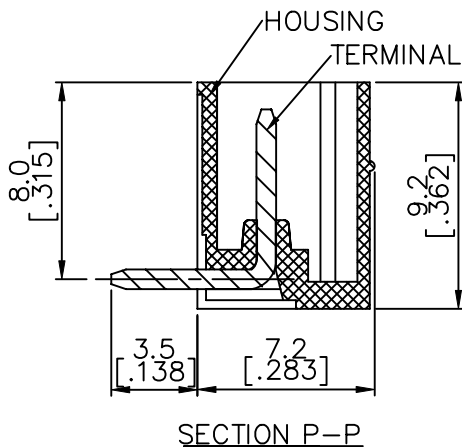
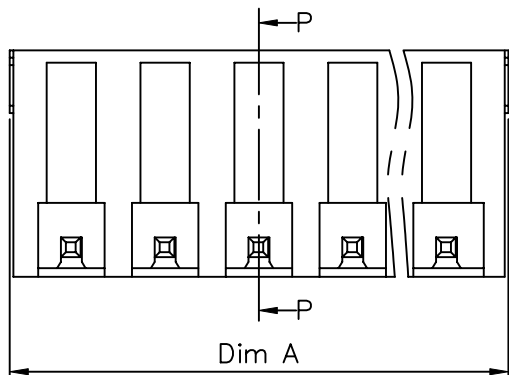
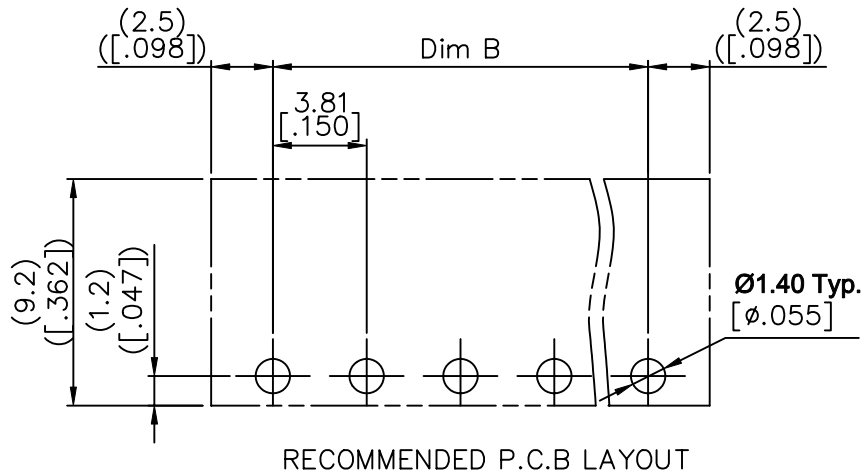
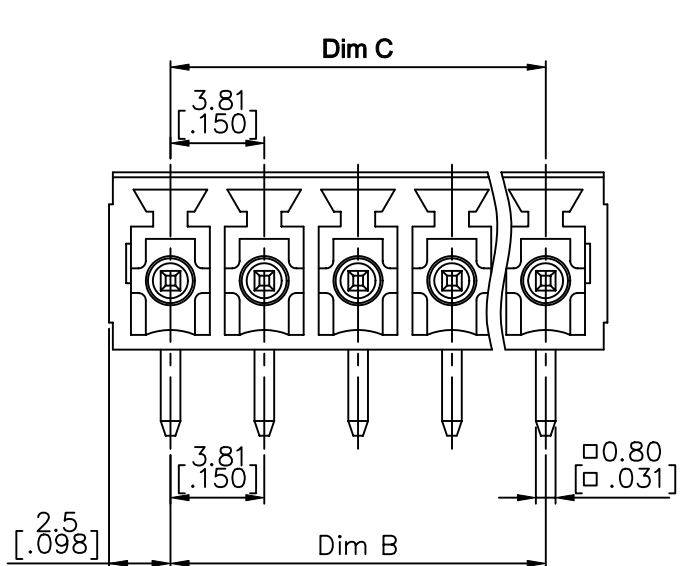
Dim A	$(N-1) \times 3.5 [.138] + 4.9 [.193]$
Dim B	$(N-1) \times 3.5 [.138]$
Dim C	$(N-1) \times 3.5 [.138]$

Poles	Tolerance
2P-6P	$\pm 0.15 [.006]$
7P-12P	$\pm 0.20 [.008]$
13P-18P	$\pm 0.25 [.010]$
19P-24P	$\pm 0.30 [.012]$

mat'l. code		surface ASME Y14.5	tolerance ASME Y14.5	projection 	product family TERMINAL BLOCK
ltr	ecn no	dr	date	tolerances unless otherwise specified X ± 0.5 [.020] X.X ± 0.3 [.012] X ± 1° X.XX ± 0.1 [.004]	title TERMINAL BLOCK PLUGABLE, SOCKET, SIGNAL, R/A
K					
				MM INCH	dwg no 20020110 sheet 2 of 5 size A4
				scale	
					type CUSTOMER Drawing
dr		BEER FU	062509		
enr		BEER FU	062509		
chr		GARY HSIEH	062509		
app		JOSEPH HSIA	062509		
sheet index	revision sheet				



PRODUCT NUMBER	SERIES NAME	PITCH
20020110-DXXXXXL	06-381	3.81 mm



N= NUMBER OF POLES
DIMENSION

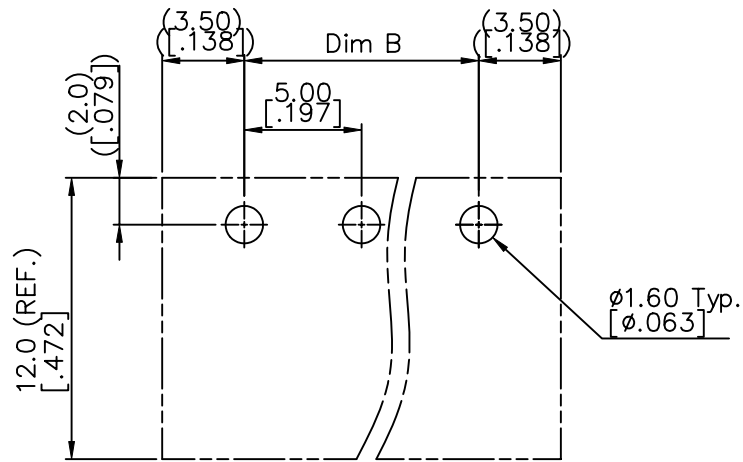
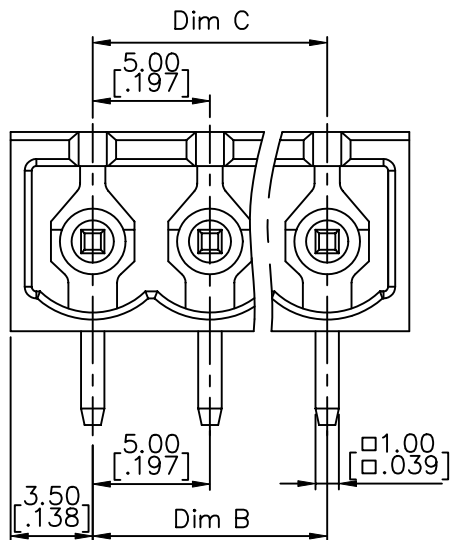
Dim A	$(N-1) \times 3.81 [.150] + 5.0 [.197]$
Dim B	$(N-1) \times 3.81 [.150]$
Dim C	$(N-1) \times 3.81 [.150]$

Poles	Tolerance
2p-6p	$\pm 0.15 [.006]$
7p-12p	$\pm 0.20 [.008]$
13p-16p	$\pm 0.25 [.010]$
17p-24p	$\pm 0.30 [.012]$

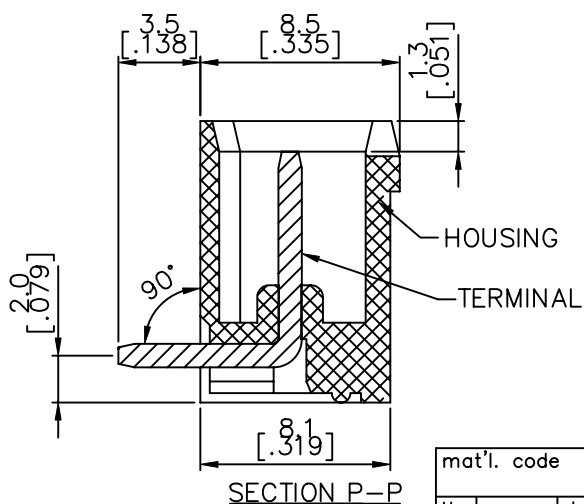
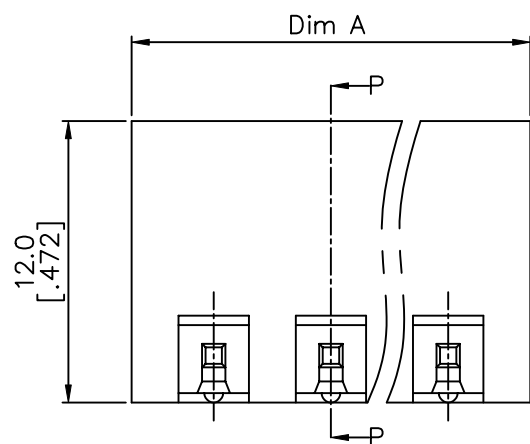
mat'l. code	surface ASME Y14.5	tolerance ASME Y14.5	projection 	product family TERMINAL BLOCK
ltr	ecn no	dr	date	title
K				TERMINAL BLOCK PLUGABLE, SOCKET, SIGNAL, R/A
	angles	inches	MM INCH	scale
	X°±1'	X.X±0.5 [.020] X.X±0.3 [.012] X.XX±0.1 [.004]		
dr	BEER FU	062509		dwg no
enr	BEER FU	062509		sheet 3 of 5 size
chr	GARY HSIEH	062509		20020110
app	JOSEPH HSIA	062509		A4
sheet index	revision sheet			type CUSTOMER Drawing



PRODUCT NUMBER	SERIES NAME	PITCH
20020110-GXXXXXXLF	06-500	5.00 mm



RECOMMENDED P.C.B LAYOUT



N = NUMBER OF POLES
DIMENSION

Dim A	$N * 5.0 [.197] + 2.0 [.193]$
Dim B	$(N - 1) * 5.0 [.197]$
Dim C	$(N - 1) * 5.0 [.197]$

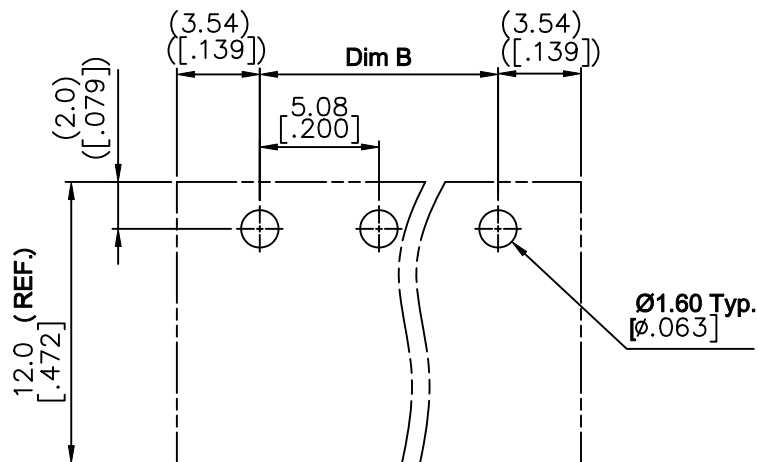
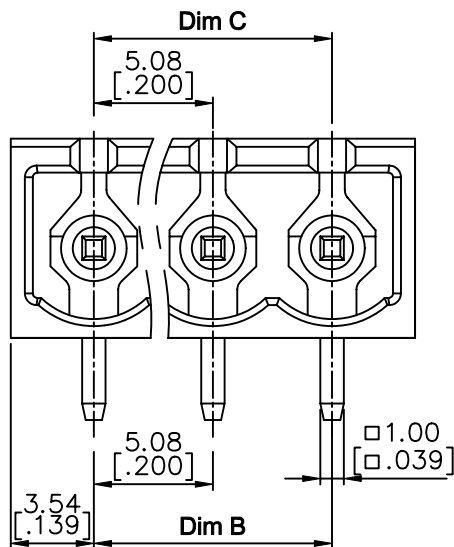
Poles	Tolerance
2p-6p	±0.15 [.006]
7p-12p	±0.25 [.010]
13p-16p	±0.35 [.014]
17p-24p	±0.40 [.016]

mat'l. code	surface ASME Y14.5	tolerance ASME Y14.5	projection 	product family TERMINAL BLOCK
ltr	ecn no	dr	date	title
K				TERMINAL BLOCK PLUGABLE, SOCKET, SIGNAL, R/A
	angles	tolerances unless otherwise specified	scale	dwg no
	X°±1'	X.X±0.3 [.012]	MM INCH	20020110
		X.XX±0.1 [.004]		sheet 4 of 5 size
	dr	BEER FU	062509	A4
	enr	BEER FU	062509	
	chr	GARY HSIEH	062509	
	app	JOSEPH HSIA	062509	
sheet index	revision sheet			type CUSTOMER Drawing

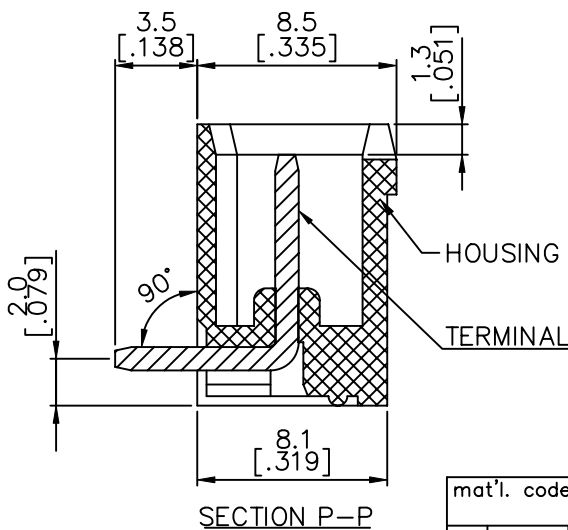
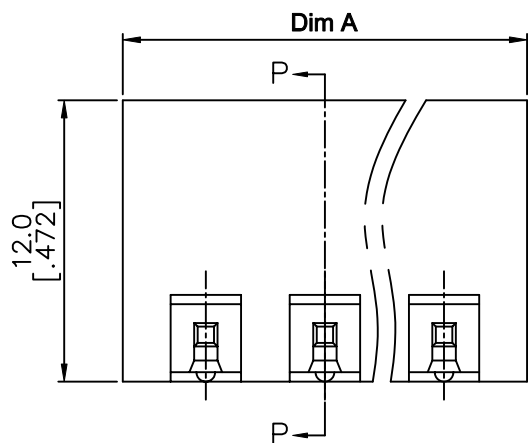




PRODUCT NUMBER	SERIES NAME	PITCH
20020110-HXXXXXLF	06-508	5.08 mm



RECOMMENDED P.C.B LAYOUT



N = NUMBER OF POLES
DIMENSION

Dim A	$N * 5.08 [.200] + 2.0 [.193]$
Dim B	$(N - 1) * 5.08 [.200]$
Dim C	$(N - 1) * 5.08 [.200]$

Poles	Tolerance
2p-6p	$\pm 0.15 [.006]$
7p-12p	$\pm 0.25 [.010]$
13p-16p	$\pm 0.35 [.014]$
17p-24p	$\pm 0.40 [.016]$

mat'l. code	surface ASME Y14.5	tolerance ASME Y14.5	projection 	product family TERMINAL BLOCK
ltr	ecn no	dr	date	title
K				TERMINAL BLOCK PLUGABLE, SOCKET, SIGNAL, R/A
	angles	tolerances unless otherwise specified	scale	dwg no
	$X \pm 1^\circ$	$X \pm 0.5 [.020]$ $X.X \pm 0.3 [.012]$ $X.XX \pm 0.1 [.004]$	MM INCH	sheet 5 of 5 size
	dr	BEER FU	062509	20020110
	enr	BEER FU	062509	A4
	chr	GARY HSIEH	062509	type
	app	JOSEPH HSIA	062509	CUSTOMER Drawing
sheet index	revision sheet			