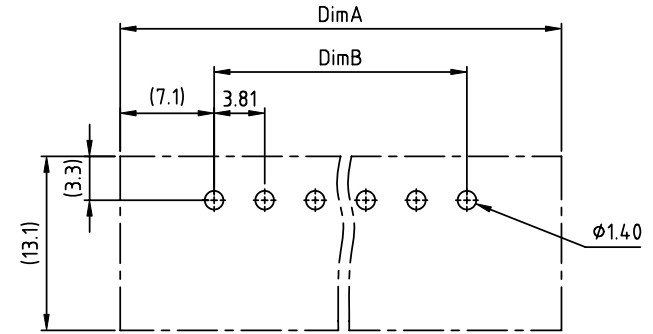
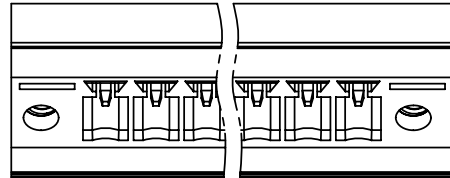
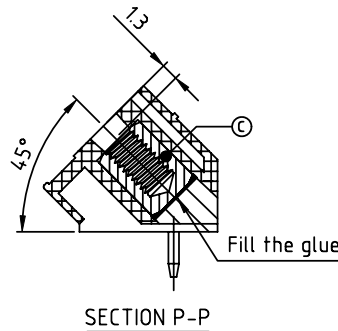
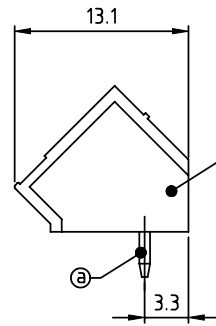
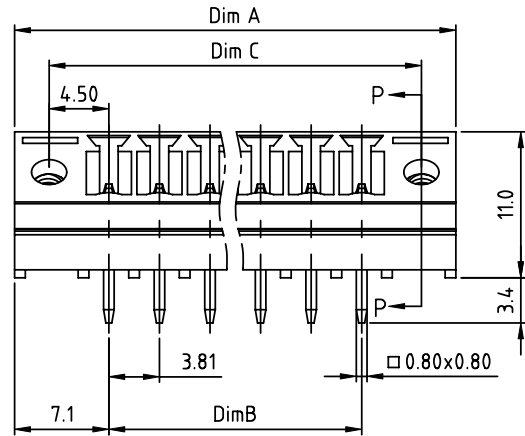


PRODUCT NUMBER	PITCH
VKxx32x000J0G	3.81 mm



RECOMMENDED P.C.B LAYOUT  
TOP VIEW



Material:

- ItemⒶ Male contact pin: Copper Tin plated
- ItemⒹ Terminal(housing): Thermoplastic (UL94 V-0)
- ItemⒸ With flange nut: Brass ,M2.5

Electrical:

- Voltage rating: 300V/300V
- Current rating: 8A/10A
- Withstanding Voltage: 1.6 KV/2.5KV
- Operating temperature: -40°C to +115°C
- Soldering temperature: 260°C±5°C/5 Sec
- Safety Approval:

PART NO.: VK xx 32 x 0 00J0 G

Dim A=(N-1)×3.81+14.2  
Dim B=(N-1)×3.81  
Dim C=(N-1)×3.81+9.0  
N= number of poles

Poles	Tolerance
2-6p	±0.10
7-12p	±0.15
13-18p	±0.20
19-24p	±0.30

Solid block	No. of poles	Color	RoHS compliant
0	2	Black (RAL9005)	(lead<4%) In copper Alloy
02	3	Red (RAL3001/D)	
03	4	Orange(RAL2011/P)	
...	...	Yellow(RAL1018/A)	
...	...	Green(RAL6018/T)	
24	6	Blue (RAL5015/A)	
	8	Grey(RAL7035/D)	
	9	White(RAL1102)	
	C	Green(RAL6018/U)	

mat'l. code				surface ASME Y14.5	tolerance ASME Y14.5	projection	product family
ltr	ecn no	dr	date	tolerances unless otherwise specified			TERMINAL BLOCK
				angles	X.±0.5	MM	title
				⊥	X.X±0.3		TERMINAL BLOCK
				X'±1"	X.XX±0.1	scale	PLUGGABLE SOCKET,45DEGREE,WITH FLANGE
		dr	EVIN ZHONG	042214			dwg no
		enrg	EVIN ZHONG	042214			sheet 1 of 1
		chr	HANKE FENG	042214			size
		appd	SHI JUN	042214			VKxx32x000J0G
							A4
sheet index	revision sheet	A	1				type
							CUSTOMER Drawing